

813 MAIN STREET : BARS AND CUSTOM CABINETRY

REVISIONS	BY
08.08.2018	PB
08.16.2018	PB
08.20.2018	PB
08.24.2018	PB
08.28.2018	PB
09.04.2018	PB

813 MAIN ST BARS & CUSTOM CABINETS
NAPA, CALIFORNIA

PHONE (707) 765-9885 FAX (707) 765-8563
DESIGNINWOODINC.COM



ANDREW JACOBSON
DESIGN IN WOOD, INC

3420 SKILLMAN LANE, PETALUMA, CA 94952

DATE: 07.25.18

SCALE: 1" = 1'-0"

DRAWN BY: PB

JOB: COVER SHEET

SHEET:

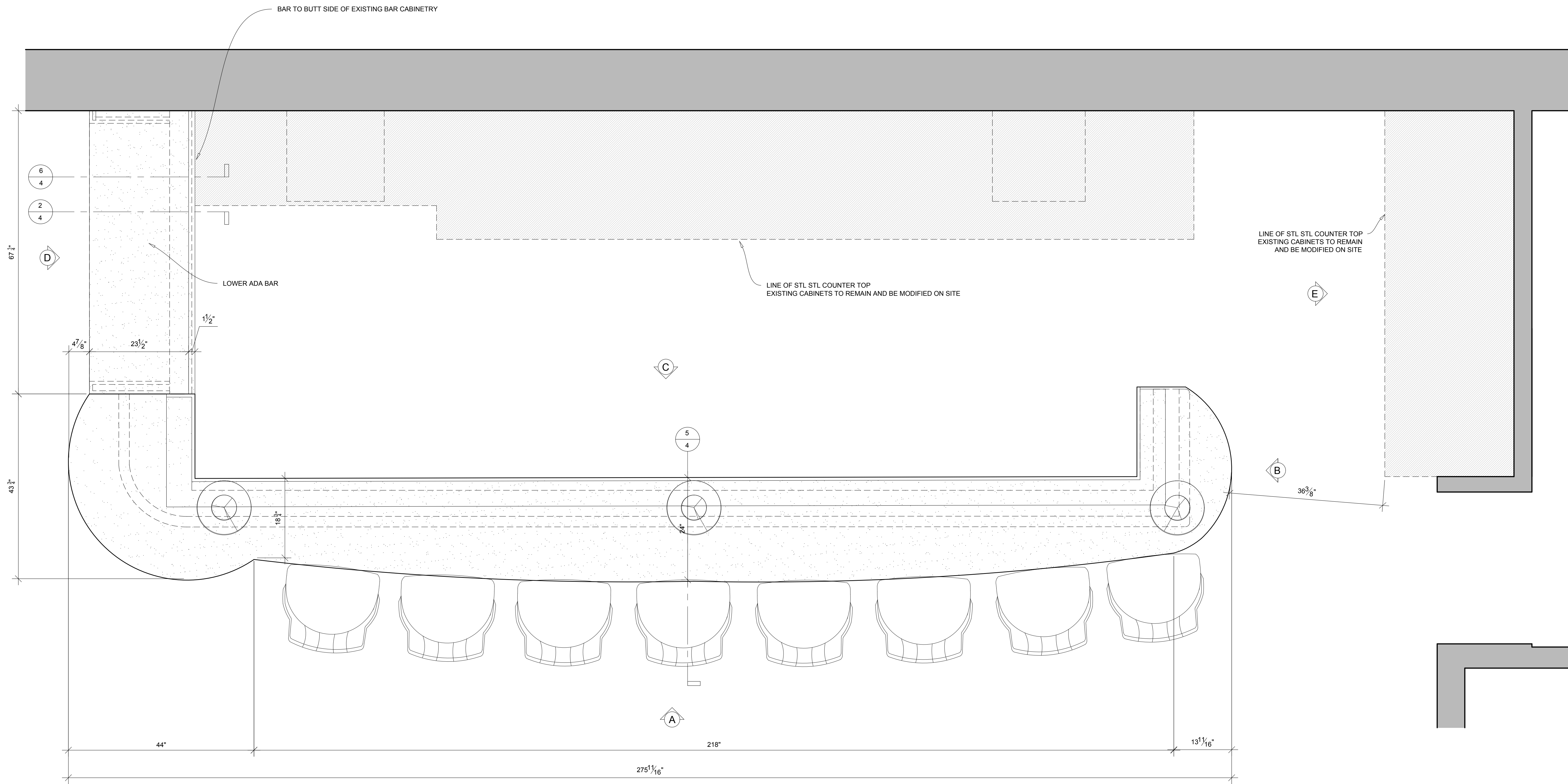
REVISIONS	BY
08.08.2018	PB
08.16.2018	PB
08.20.2018	PB
08.24.2018	PB
08.28.2018	PB
09.04.2018	PB

813 MAIN ST BARS & CUSTOM CABINETS
NAPA, CALIFORNIA

PHONE (707) 765-9885 FAX (707) 765-8563
DESIGNINWOODINC.COM

3420 SKILLMAN LANE, PETALUMA, CA 94952
ANDREW JACOBSON
DESIGN IN WOOD, INC

DATE: 07.25.18
SCALE: 1" = 1'-0"
DRAWN BY: PB
JOB: FIRST FLR BAR
SHEET:



1 FLOOR 1 BAR - PLAN VIEW
2 1" = 1'-0"

CONSTRUCTION NOTES:

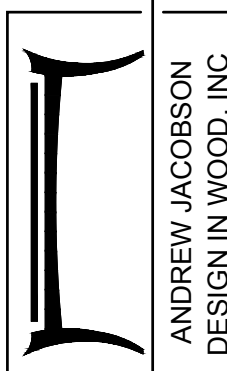
- EXTERIOR WOOD SURFACES TO BE PREMIUM PLAIN SLICED WHITE OAK W/ CERUSED FINISH TBD.
- SATIN BLACK 3/8" MELAMINE WHERE NOTED.
- LAMINATE TBD.
- LEATHER WHERE NOTED BY OTHERS.
- STONE COUNTER TOPS BY OTHERS.
- 5/8" OR 3/4" PLYWOOD SUB TOPS BY DIW.
- CONTRACTOR IS RESPONSIBLE FOR COORDINATING CASEWORK INSTALLATION W/ ALL RELATED TRADES, INCLUDING BUT NOT LIMITED TO APPLIANCES, EQUIPMENT, PLUMBING FIXTURES, AND COUNTER TOPS.

↖ = GRAIN DIRECTION

REVISIONS	BY
08.08.2018	PB
08.16.2018	PB
08.20.2018	PB
08.24.2018	PB
08.28.2018	PB
09.04.2018	PB

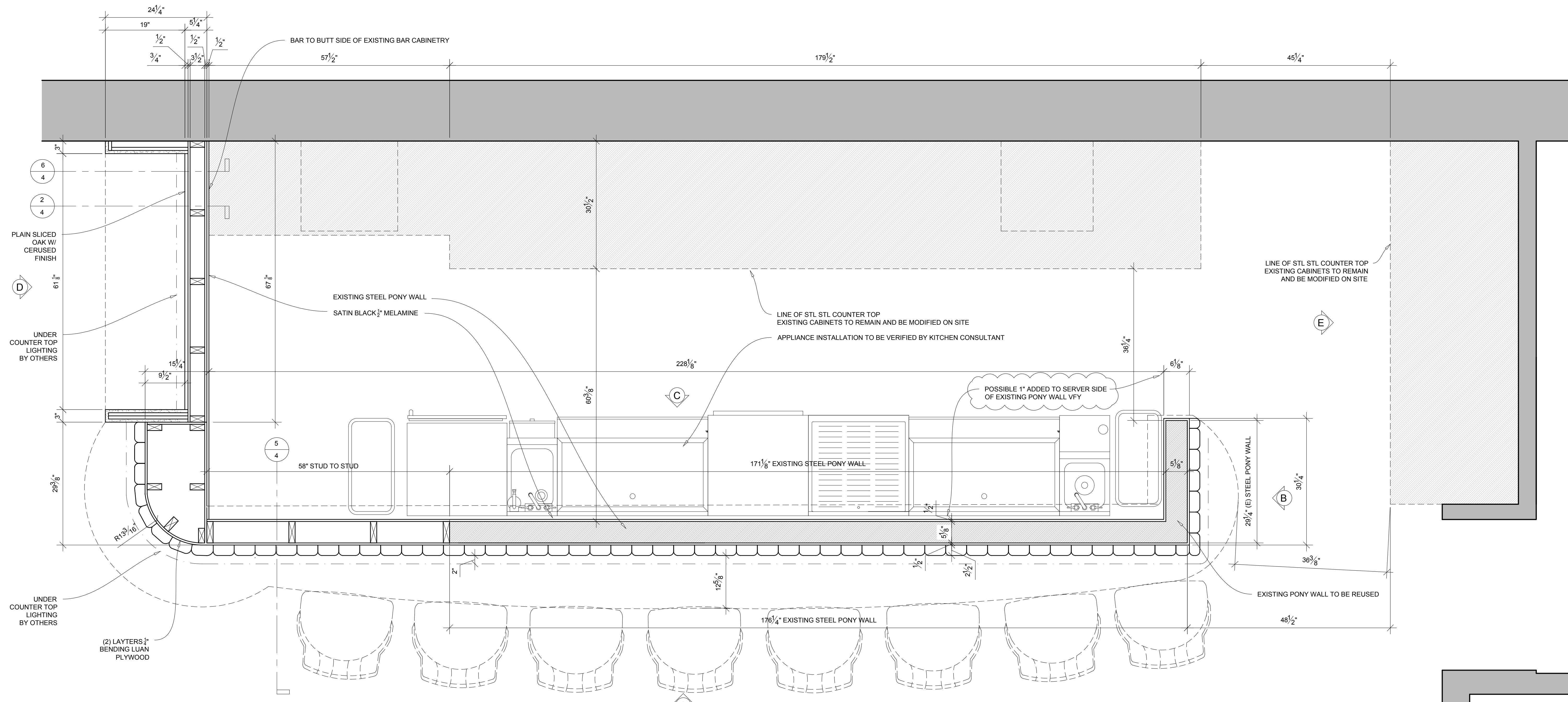
813 MAIN ST BARS & CUSTOM CABINETS
NAPA, CALIFORNIA

PHONE (707) 765-9885 FAX (707) 765-8563
DESIGNINWOODINC.COM

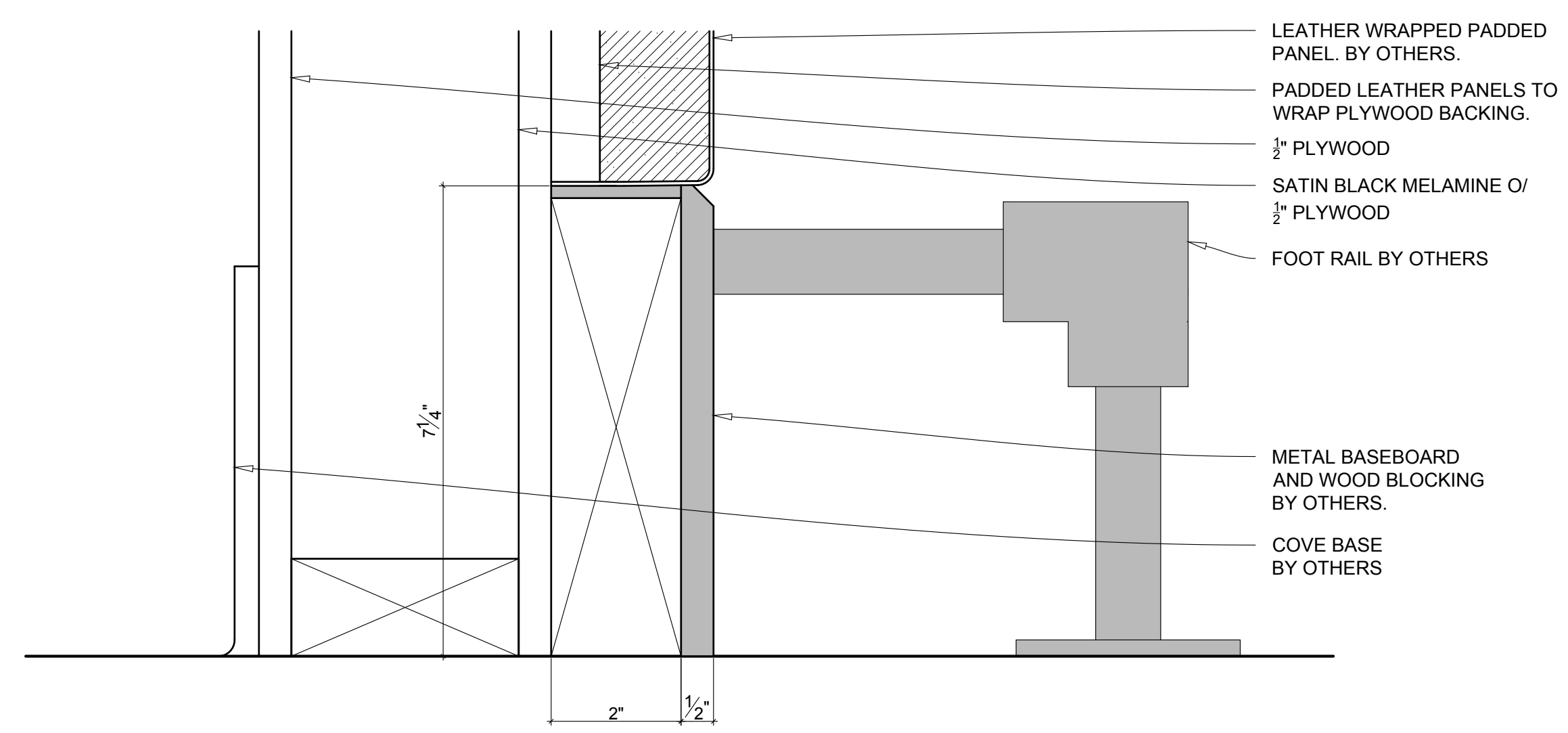


3420 SKILLMAN LANE, PETALUMA, CA 94952
ANDREW JACOBSON
DESIGN IN WOOD, INC

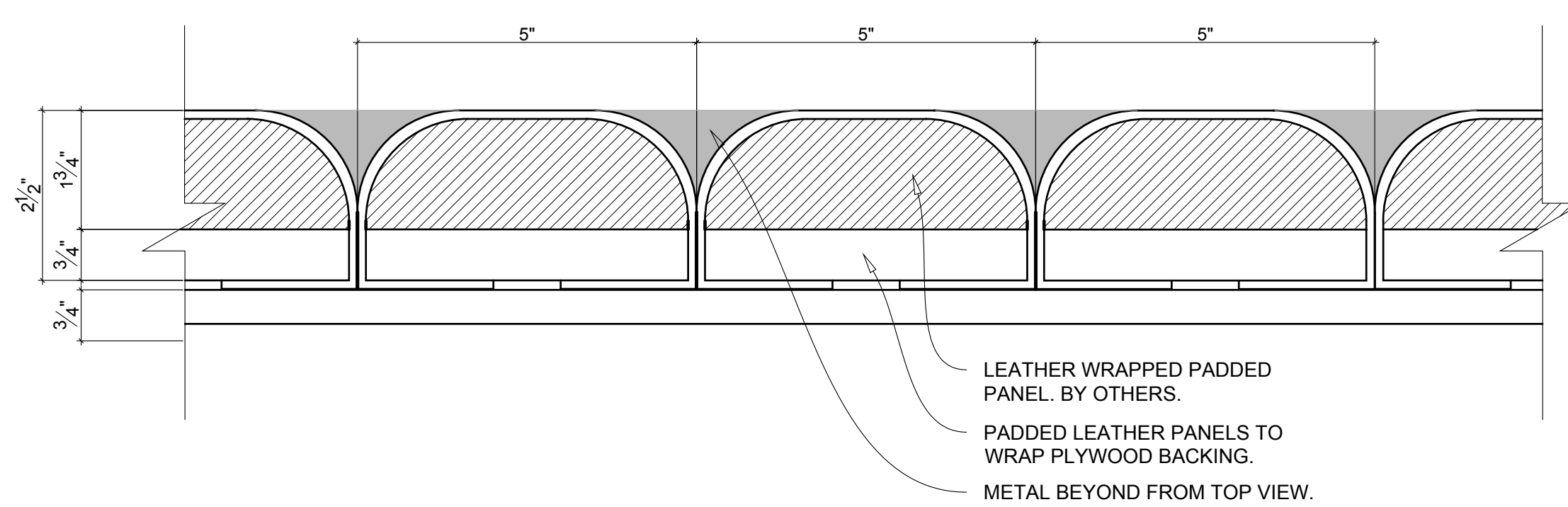
DATE: 07.25.18
SCALE: 1" = 1'-0"
DRAWN BY: PB
JOB: FIRST FLR BAR
SHEET:



1 FLOOR 1 BAR - PLAN SECTION
3 1" = 1'-0"



2 FLOOR 1 BAR - DETAIL @ BASE & FOOT RAIL
3 HALF SCALE



3 FLOOR 1 BAR - SECTION DETAIL @ LEATHER PANELS
3 HALF SCALE

REVISIONS	BY
08.08.2018	PB
08.16.2018	PB
08.20.2018	PB
08.24.2018	PB
08.28.2018	PB
09.04.2018	PB

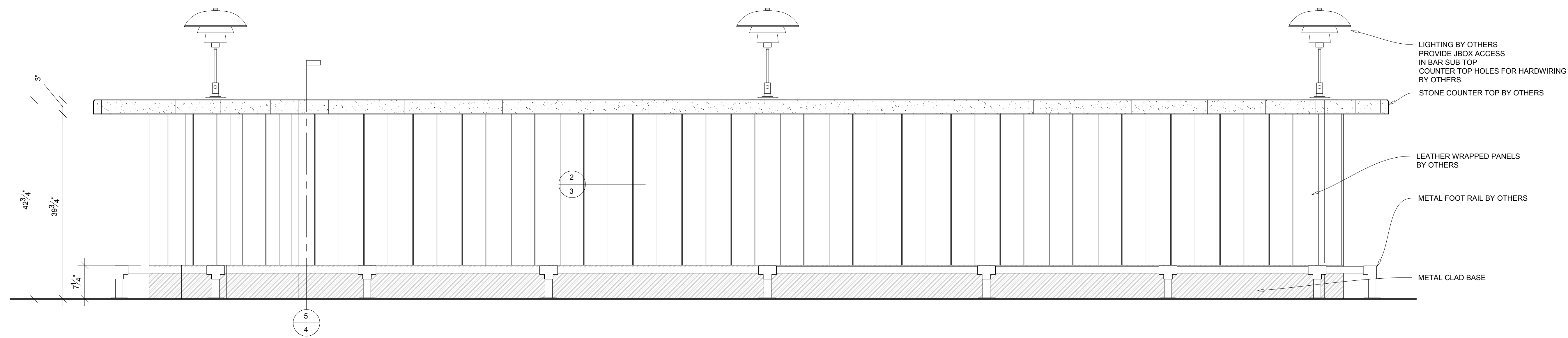
813 MAIN ST BARS & CUSTOM CABINETS
NAPA, CALIFORNIA

PHONE (707) 765-9885 FAX (707) 765-8563
DESIGNINWOODING.COM

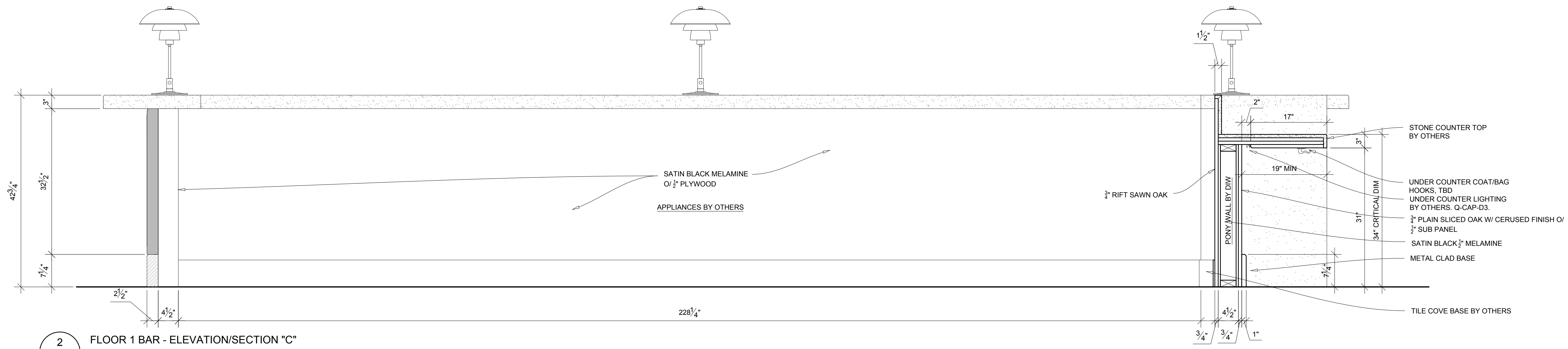


3420 SKILLMAN LANE, PETALUMA, CA 94952
ANDREW JACOBSON
DESIGN IN WOOD, INC

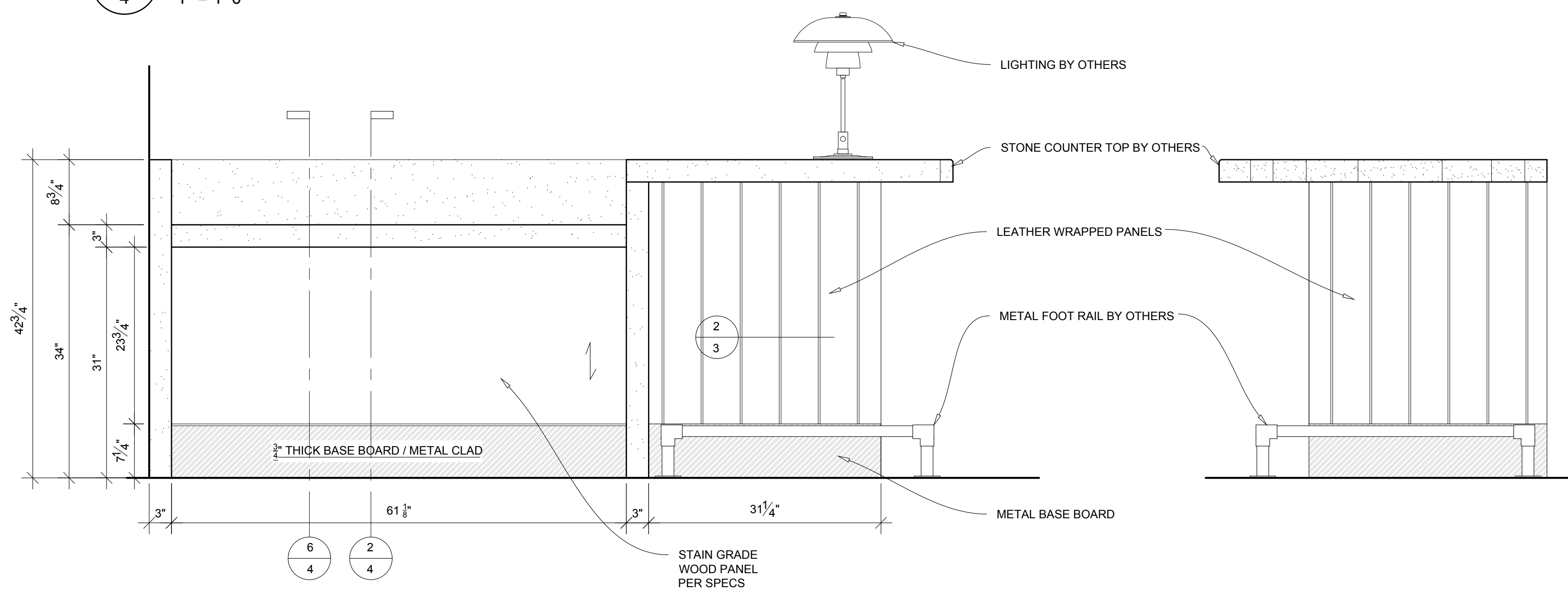
DATE: 07.25.18
SCALE: 1" = 1'-0"
DRAWN BY: PB
JOB: FIRST FLR BAR
SHEET:



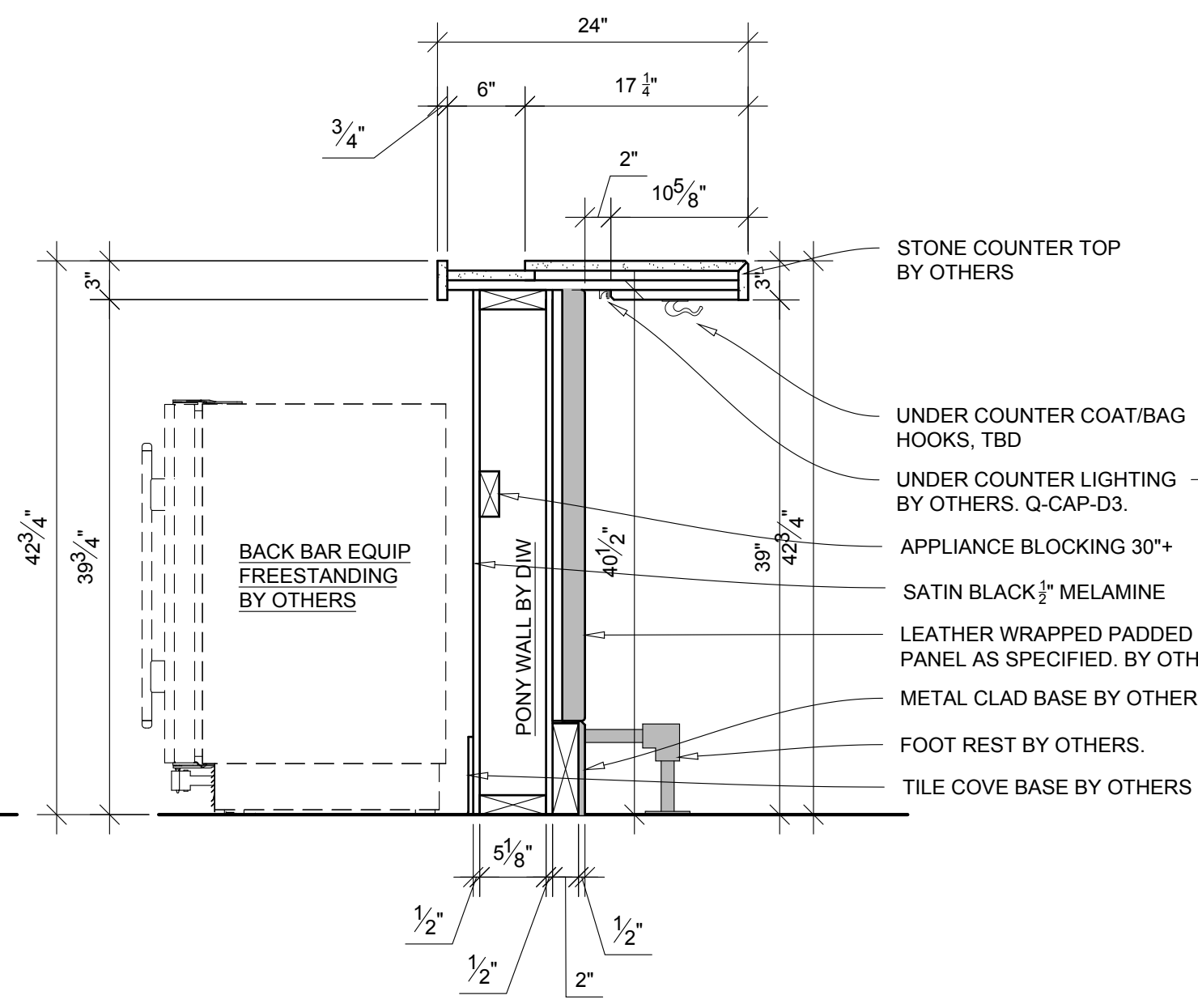
1 FLOOR 1 BAR - ELEVATION "A"
4 1" = 1'-0"



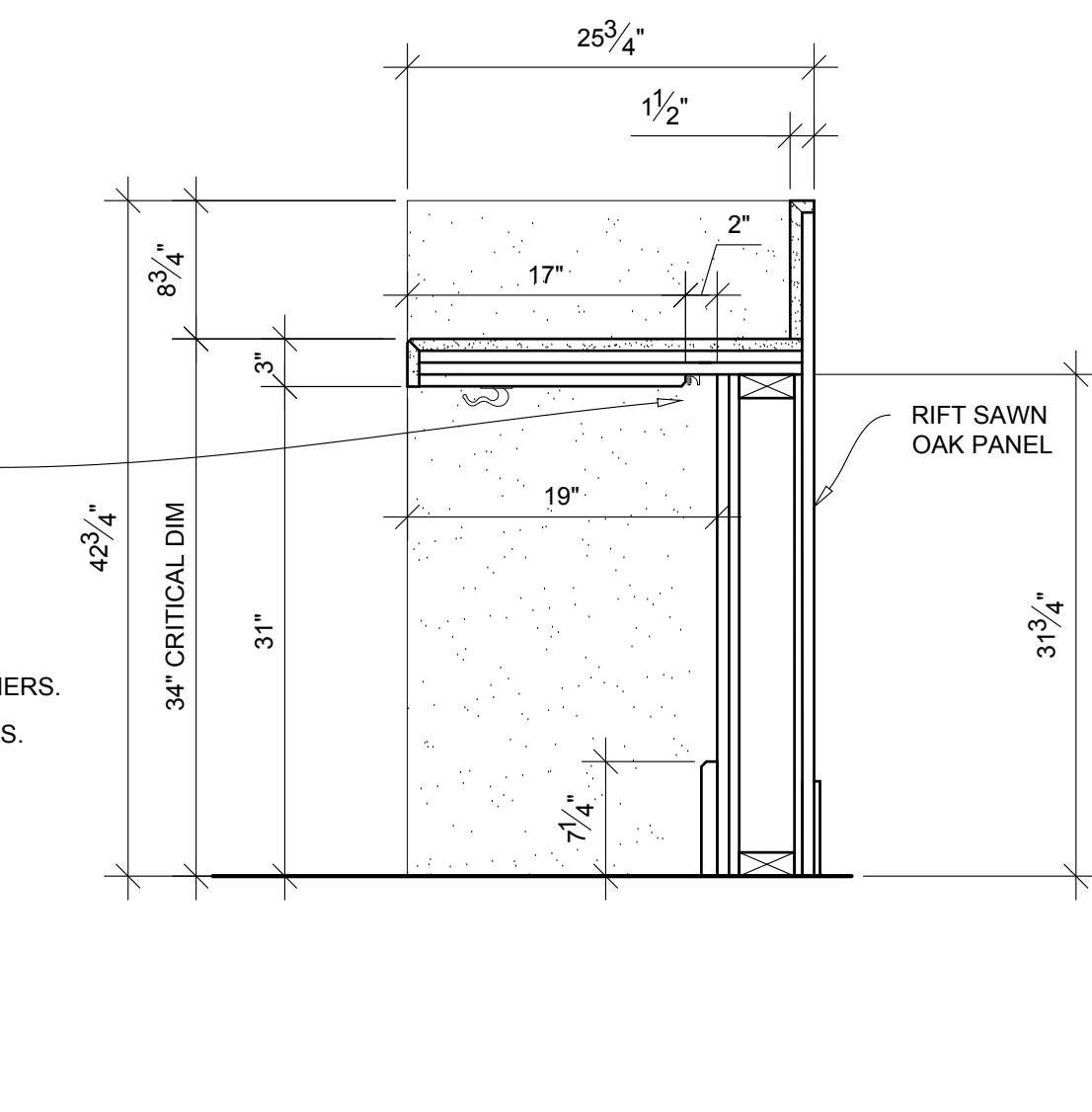
2 FLOOR 1 BAR - ELEVATION/SECTION "C"
4 1" = 1'-0"



3 FLOOR 1 BAR - ELEVATION "D"
4 1" = 1'-0"



4 FLOOR 1 BAR - ELEVATION "B"
4 1" = 1'-0"



6 FLOOR 1 BAR - SECTION ADA BAR
4 1" = 1'-0"

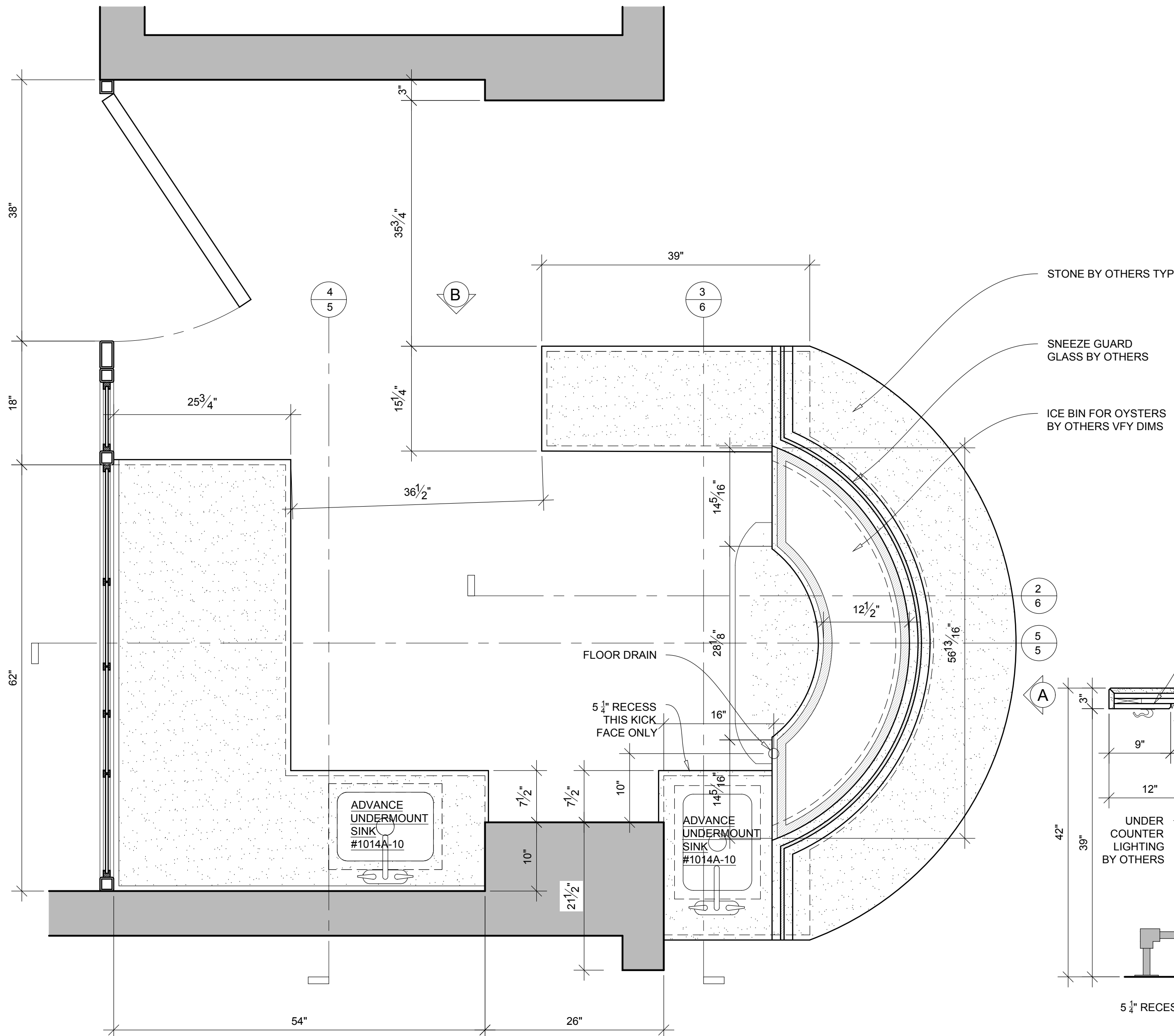
5 FLOOR 1 BAR - SECTION AT BAR MIDDLE
4 1" = 1'-0"

REVISIONS	BY
08.22.2018	PB
08.28.2018	PB
09.06.2018	PB

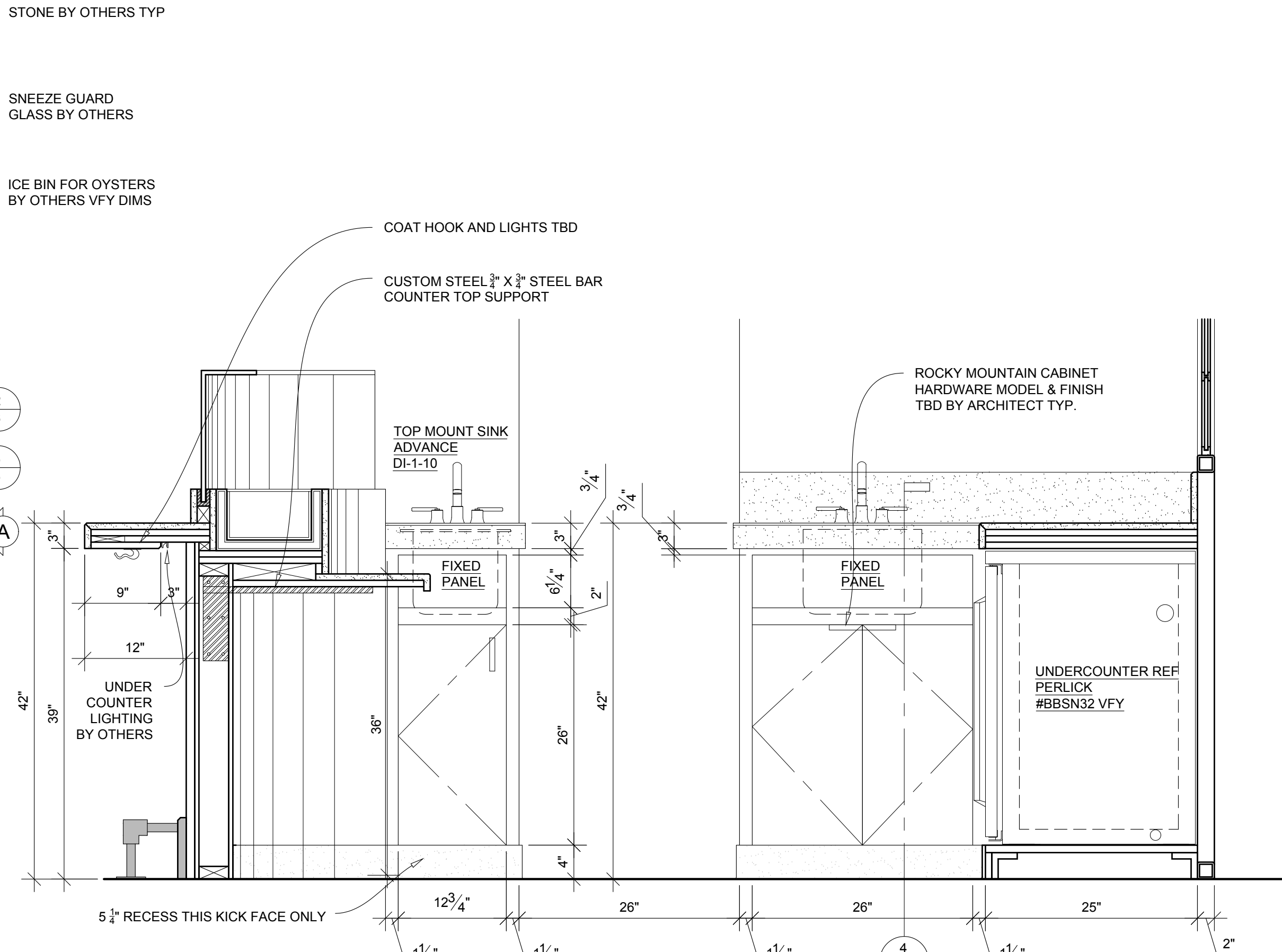
CONSTRUCTION NOTES:

- PATRON SIDE EXTERIOR WOOD SURFACES TO BE PREMIUM PLAIN SLICED WHITE OAK W/ CERUSED FINISH PER SAMPLE.
- SERVER SIDE EXTERIOR WOOD SURFACES TBD PER HEALTH DEPT REQUIREMENTS.
- SATIN BLACK MELAMINE WHERE NOTED.
- LAMINATE TBD.
- STONE COUNTER TOPS BY OTHERS.
- ROCKY MOUNTAIN CABINET HARDWARE MODEL & FINISH TBD BY ARCHITECT.
- 5/8" OR 3/4" PLYWOOD SUB TOPS BY DIW.
- CONTRACTOR IS RESPONSIBLE FOR COORDINATING CASEWORK INSTALLATION W/ ALL RELATED TRADES, INCLUDING BUT NOT LIMITED TO APPLIANCES, EQUIPMENT, PLUMBING FIXTURES, AND COUNTER TOPS.

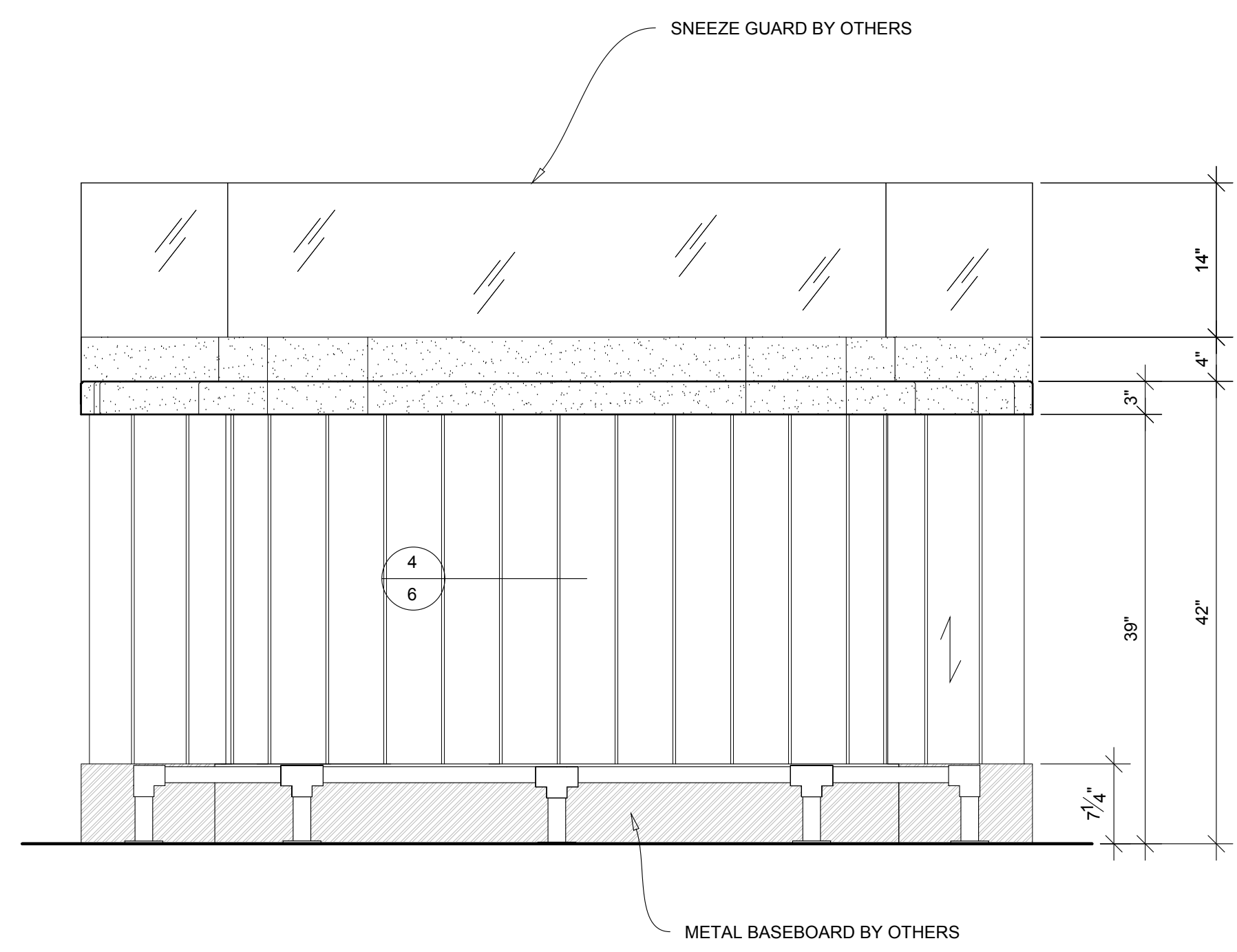
← = GRAIN DIRECTION



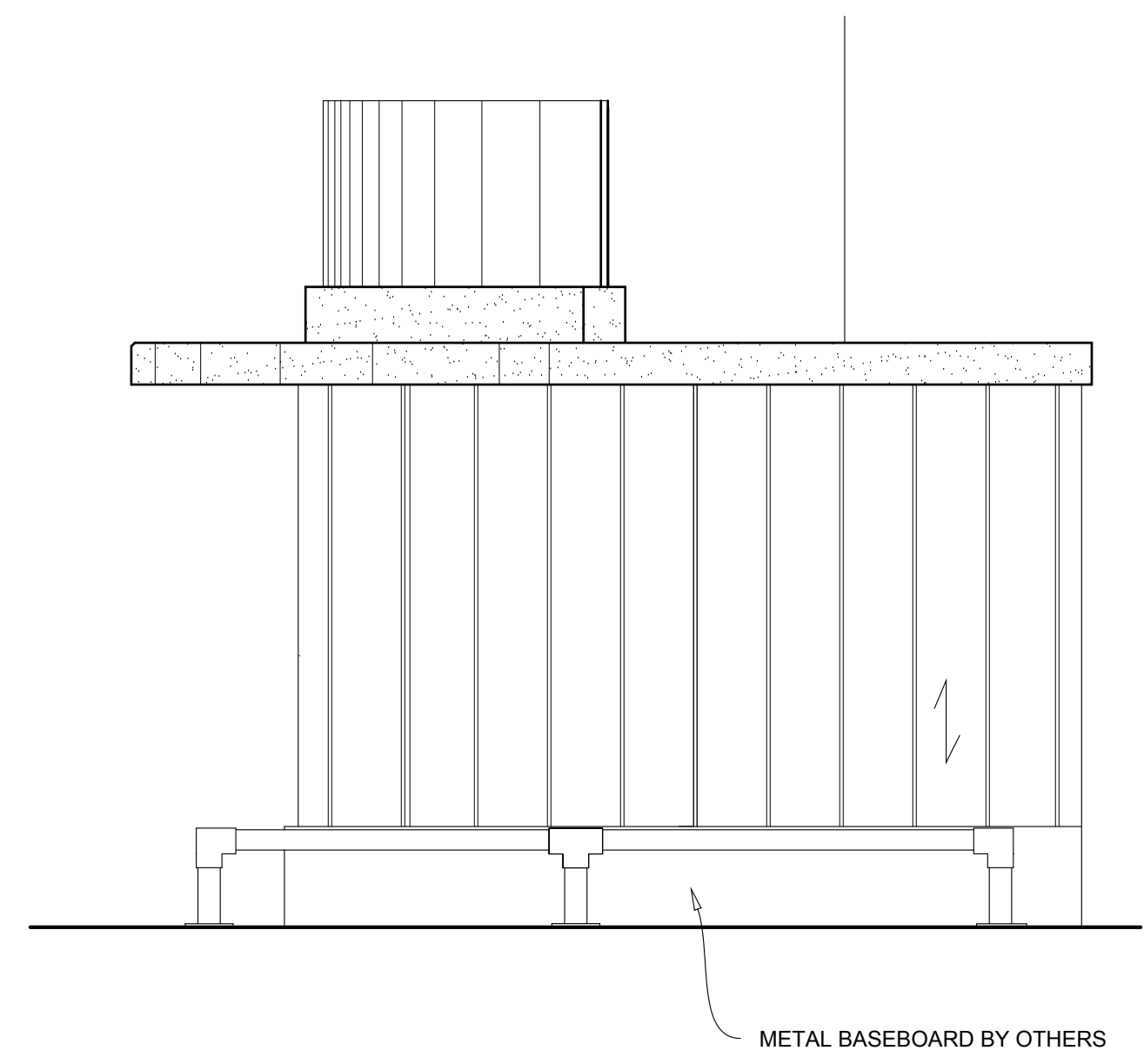
1 FLOOR 2 OYSTER BAR - PLAN VIEW
5 1" = 1'-0"



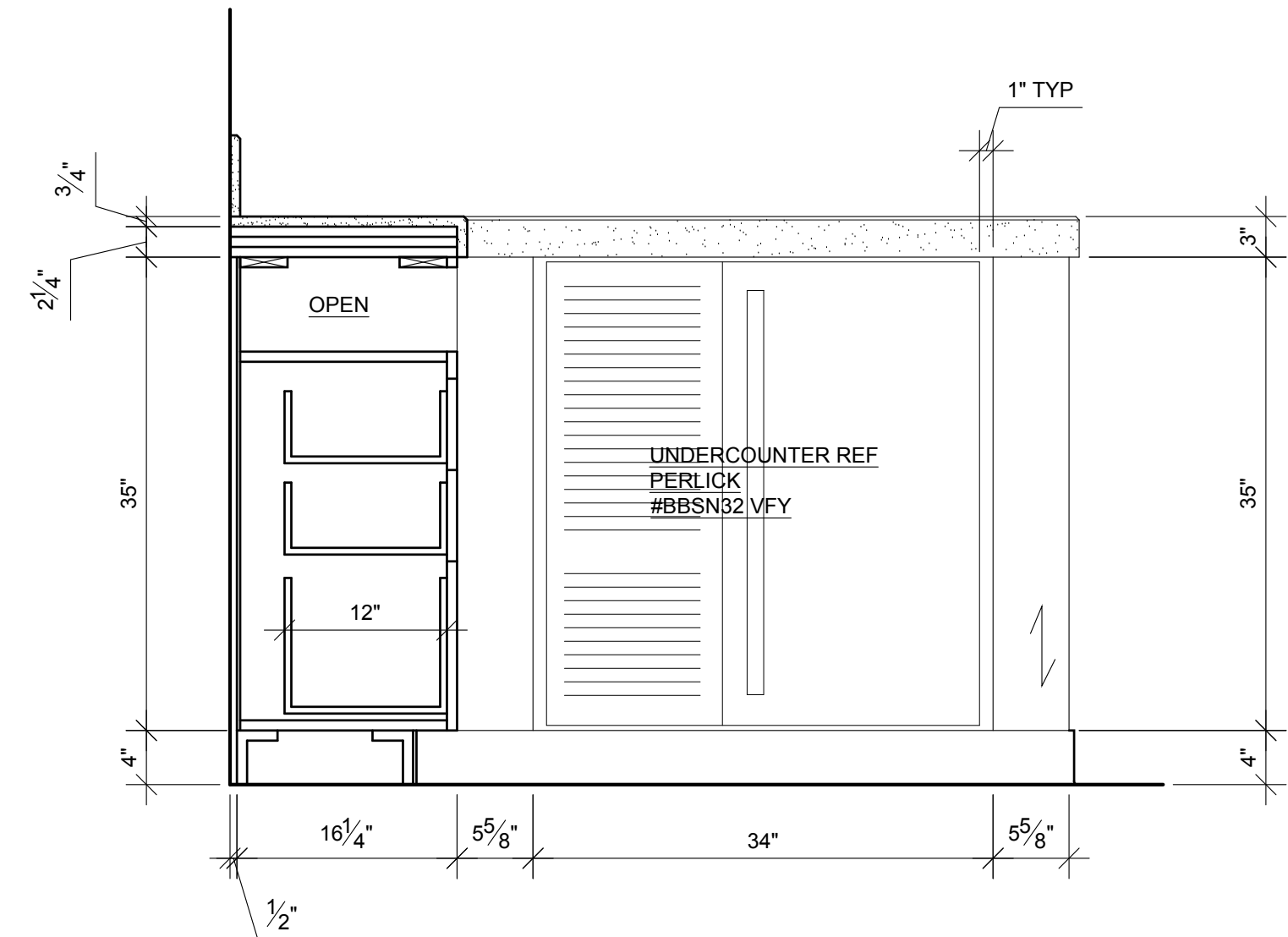
5 FLOOR 2 OYSTER BAR - SIDE SECTION
5 1" = 1'-0"



2 FLOOR 2 OYSTER BAR - ELEVATION "A"
5 1" = 1'-0"



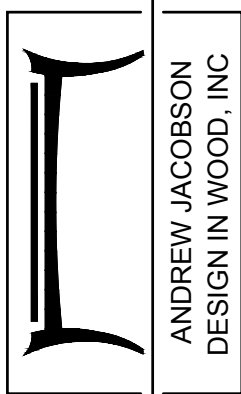
3 FLOOR 2 OYSTER BAR - ELEVATION "B"
5 1" = 1'-0"



4 FLOOR 2 OYSTER BAR - ELEVATION "C"
5 1" = 1'-0"

813 MAIN ST BARS & CUSTOM CABINETS
NAPA, CALIFORNIA

PHONE (707) 765-9885 FAX (707) 765-8563
DESIGNINWOODINC.COM



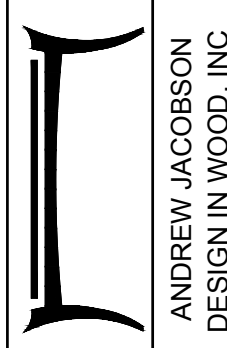
3420 SKILLMAN LANE, PETALUMA, CA 94952
ANDREW JACOBSON
DESIGN IN WOOD, INC

DATE: 08.16.18
SCALE: 1" = 1'-0"
DRAWN BY: PB
JOB: 2ND FLR BAR
SHEET:

REVISIONS	BY
08.22.2018	PB
08.28.2018	PB
09.06.2018	PB

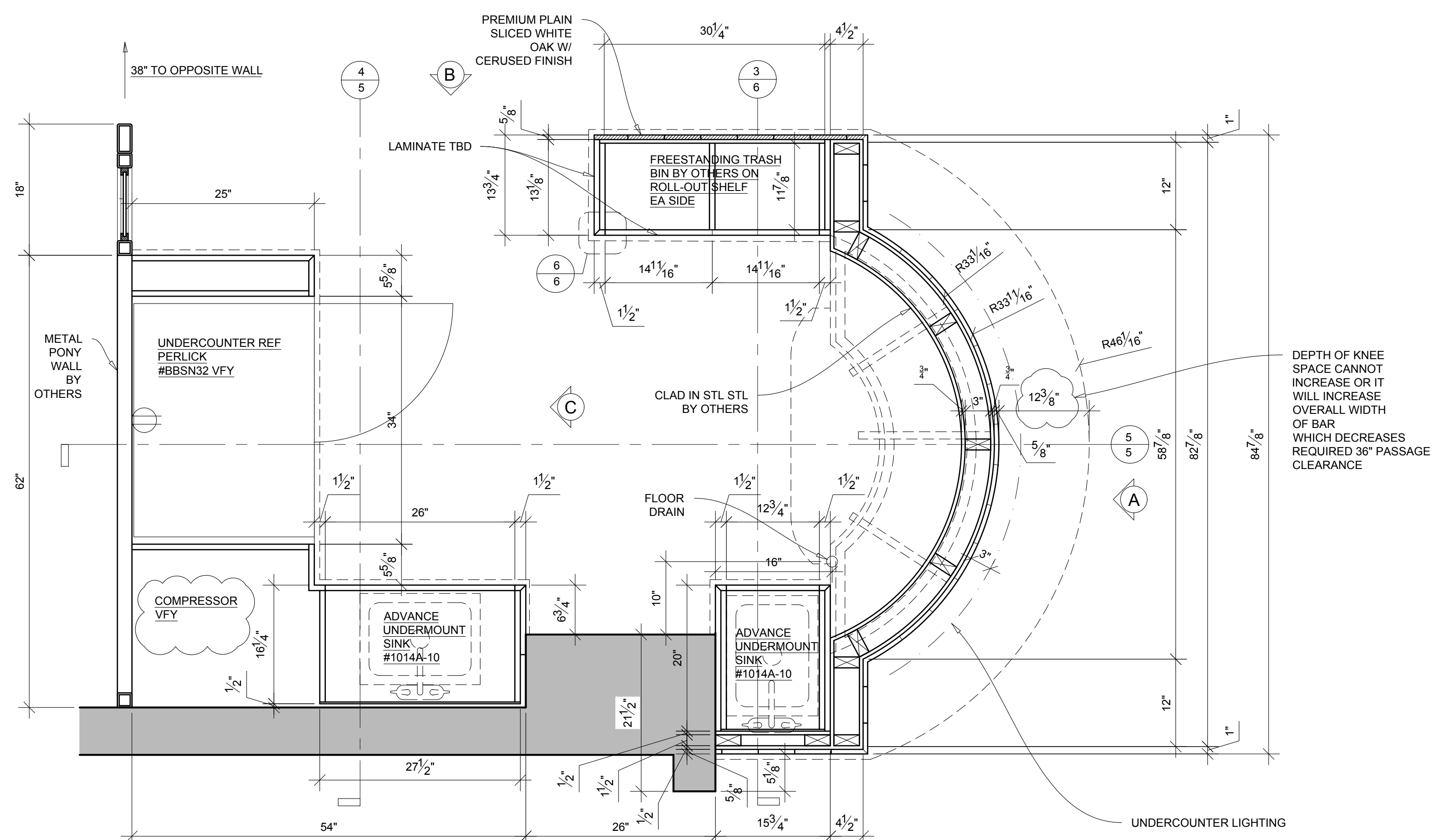
813 MAIN ST BARS & CUSTOM CABINETS
NAPA, CALIFORNIA

PHONE (707) 765-9885 FAX (707) 765-8563
DESIGNINWOODINC.COM

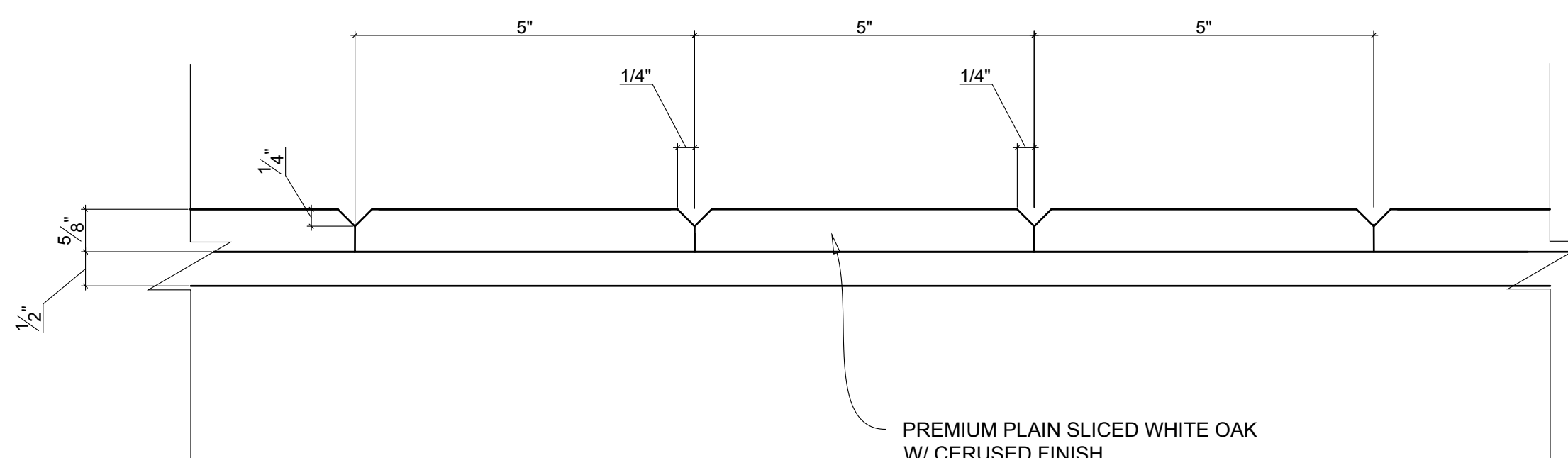


3420 SKILLMAN LANE, PETALUMA, CA 94952
ANDREW JACOBSON
DESIGN IN WOOD, INC

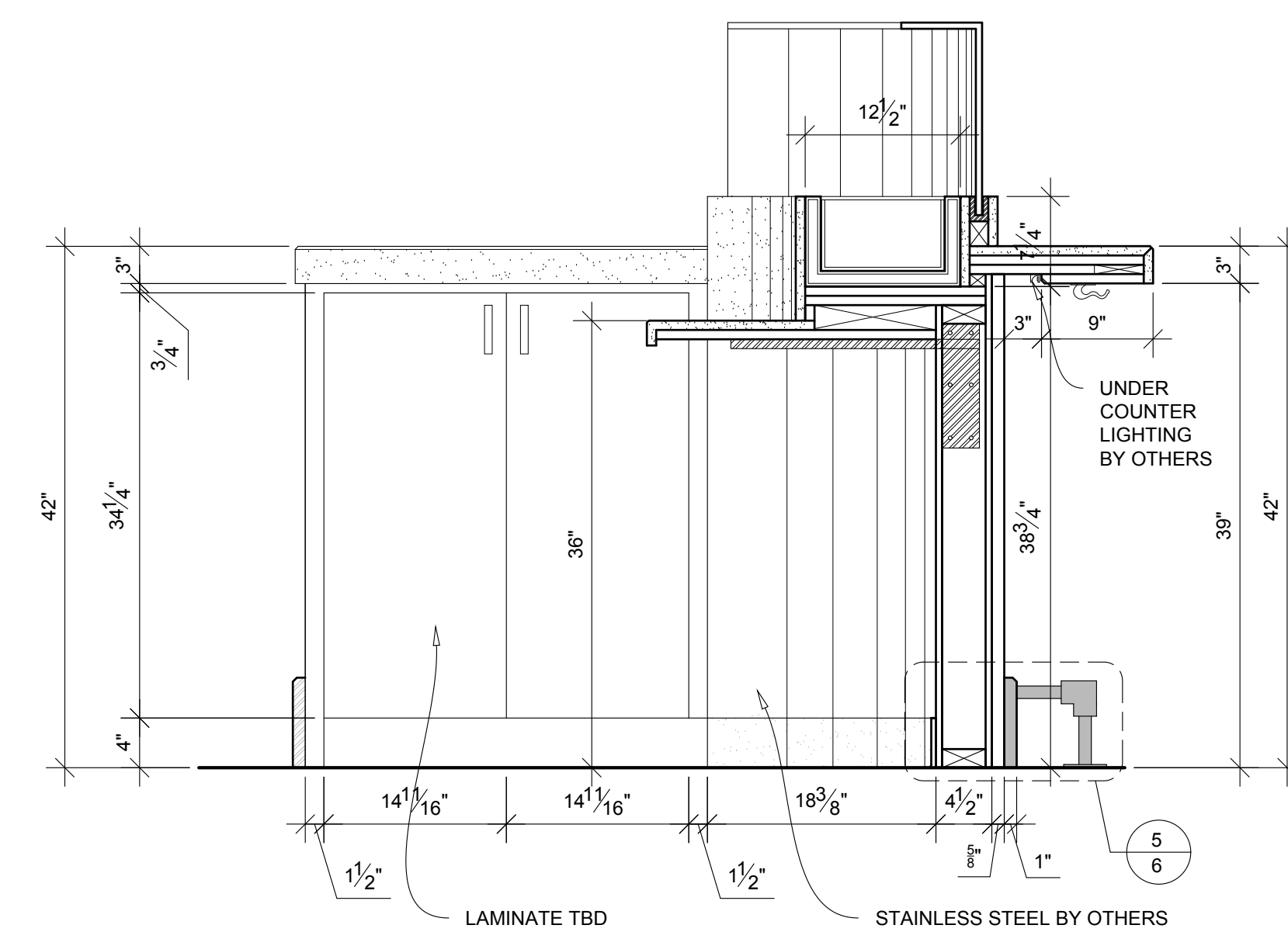
DATE: 08.16.18
SCALE: 1" = 1'-0"
DRAWN BY: PB
JOB: 2ND FLR BAR
SHEET:



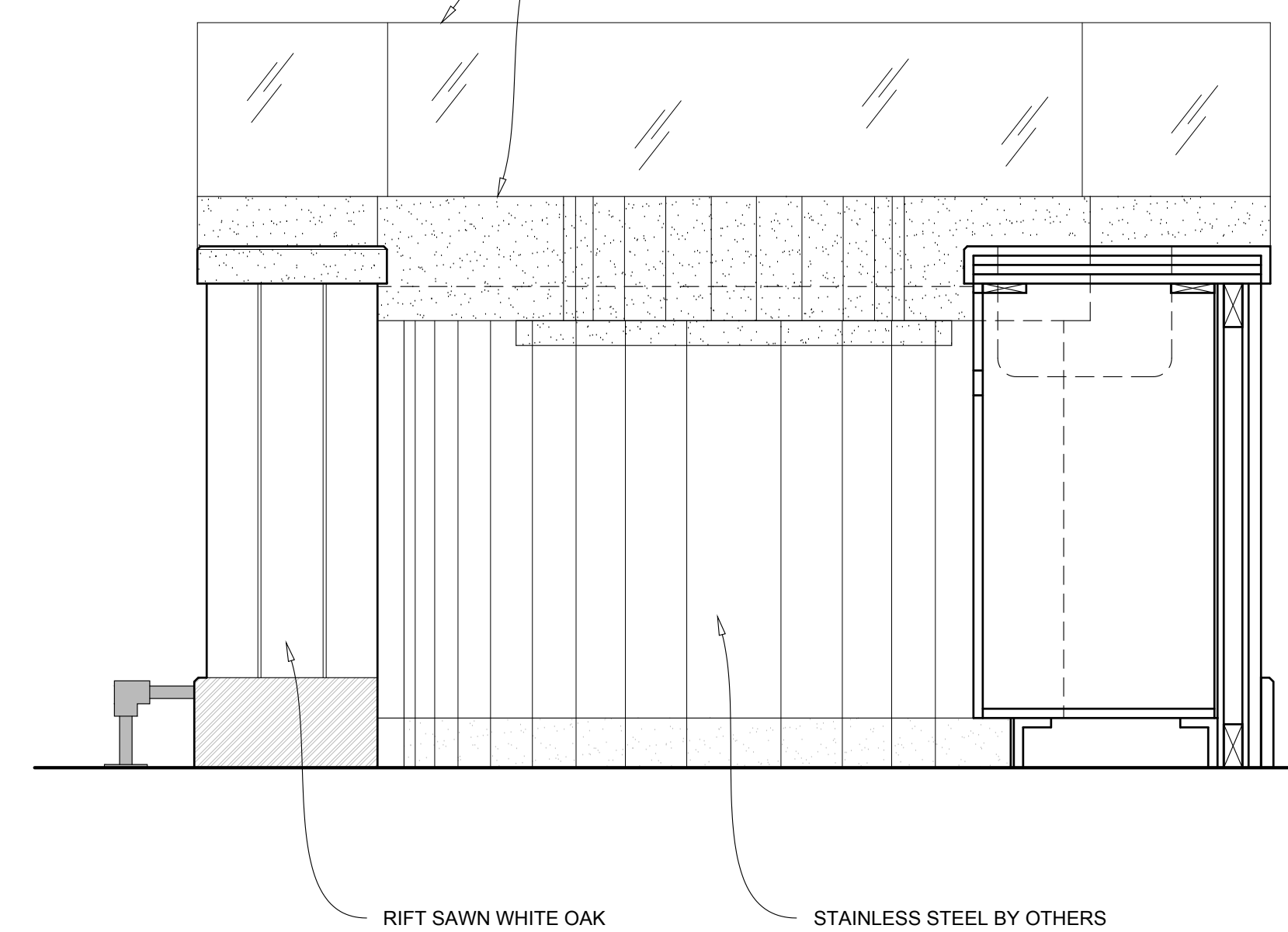
1 FLOOR 2 OYSTER BAR - PLAN SECTION
6 1" = 1'-0"



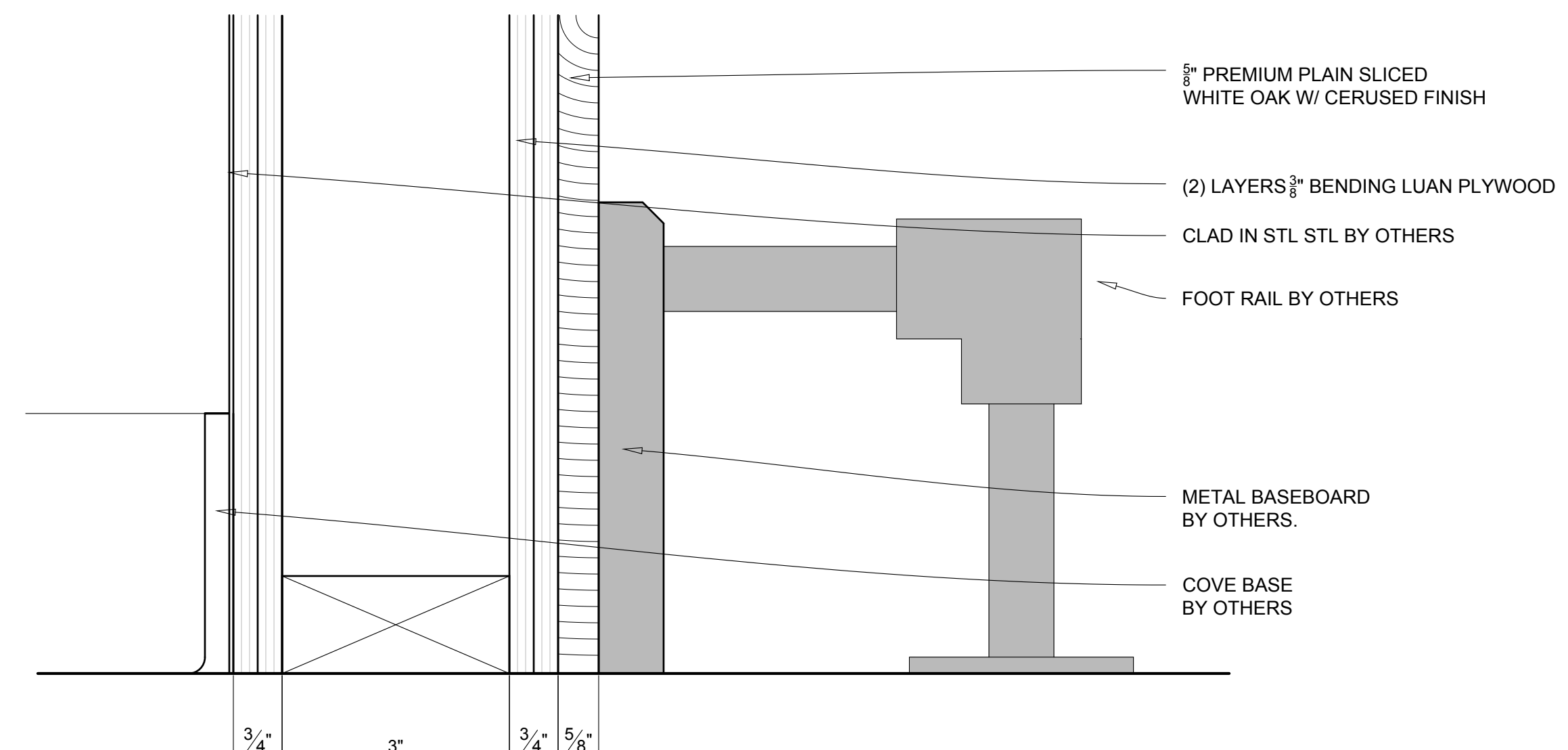
4 FLOOR 2 OYSTER BAR - DETAIL
6 HALF SCALE



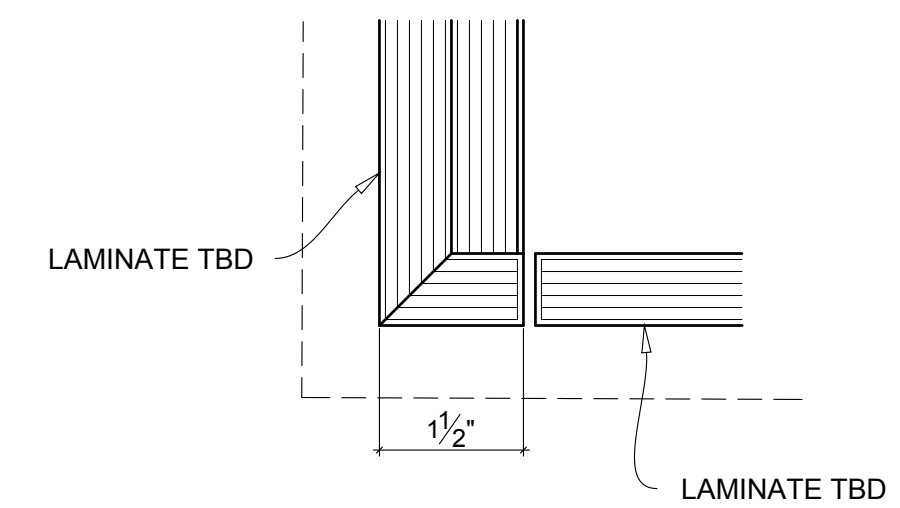
2 FLOOR 2 OYSTER BAR - SIDE SECTION
6 1" = 1'-0"



3 FLOOR 2 OYSTER BAR - SIDE SECTION
6 1" = 1'-0"



5 FLOOR 2 OYSTER BAR - DETAIL @ CURVED WALL
6 HALF SCALE

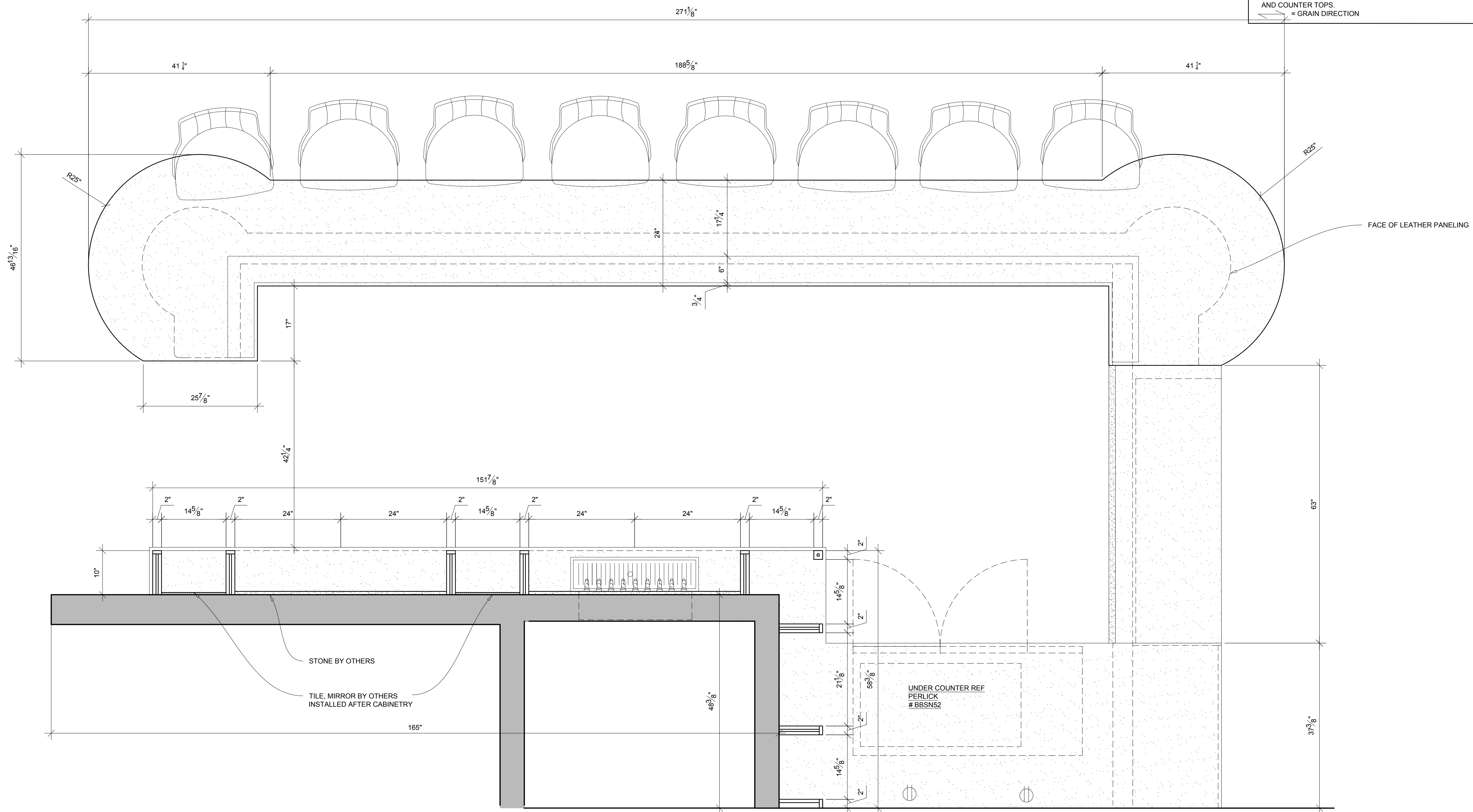


6 FLOOR 2 OYSTER BAR - DETAIL
6 HALF SCALE

REVISIONS	BY
08.20.2018	PB
08.28.2018	PB
09.06.2018	PB

CONSTRUCTION NOTES:

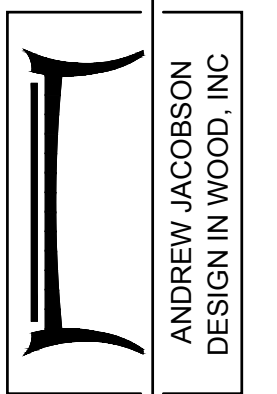
- EXTERIOR WOOD SURFACES TO BE PREMIUM PLAIN SLICED WHITE OAK W/ CERUSED FINISH TBD.
 - SATIN BLACK 1/2" MELAMINE.
 - LAMINATE TBD.
 - LEATHER WHERE NOTED BY OTHERS.
 - STONE COUNTER TOPS BY OTHERS.
 - ROCKY MOUNTAIN CABINET HARDWARE MODEL & FINISH TBD BY ARCHITECT.
 - 3/4" OR 1/2" PLYWOOD SUB TOPS BY DW.
 - CONTRACTOR IS RESPONSIBLE FOR COORDINATING CASEWORK INSTALLATION W/ ALL RELATED TRADES, INCLUDING BUT NOT LIMITED TO APPLIANCES, EQUIPMENT, PLUMBING FIXTURES, AND COUNTER TOPS.
- = GRAIN DIRECTION



1 FLOOR 3 BAR - PLAN VIEW
7 1" = 1'-0"

813 MAIN ST BARS & CUSTOM CABINETS
NAPA, CALIFORNIA

PHONE (707) 765-9885 FAX (707) 765-8563
DESIGNINWOOD.COM



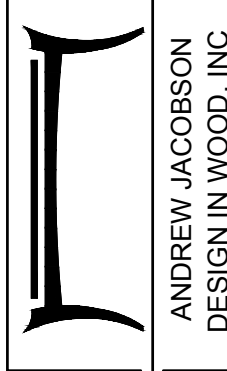
3420 SKILLMAN LANE, PETALUMA, CA 94952
ANDREW JACOBSON
DESIGN IN WOOD, INC

DATE: 08.20.18
SCALE: 1" = 1'-0"
DRAWN BY: PB
JOB: 3RD FLR BAR
SHEET:

REVISIONS	BY
08.20.2018	PB
08.28.2018	PB
09.06.2018	PB

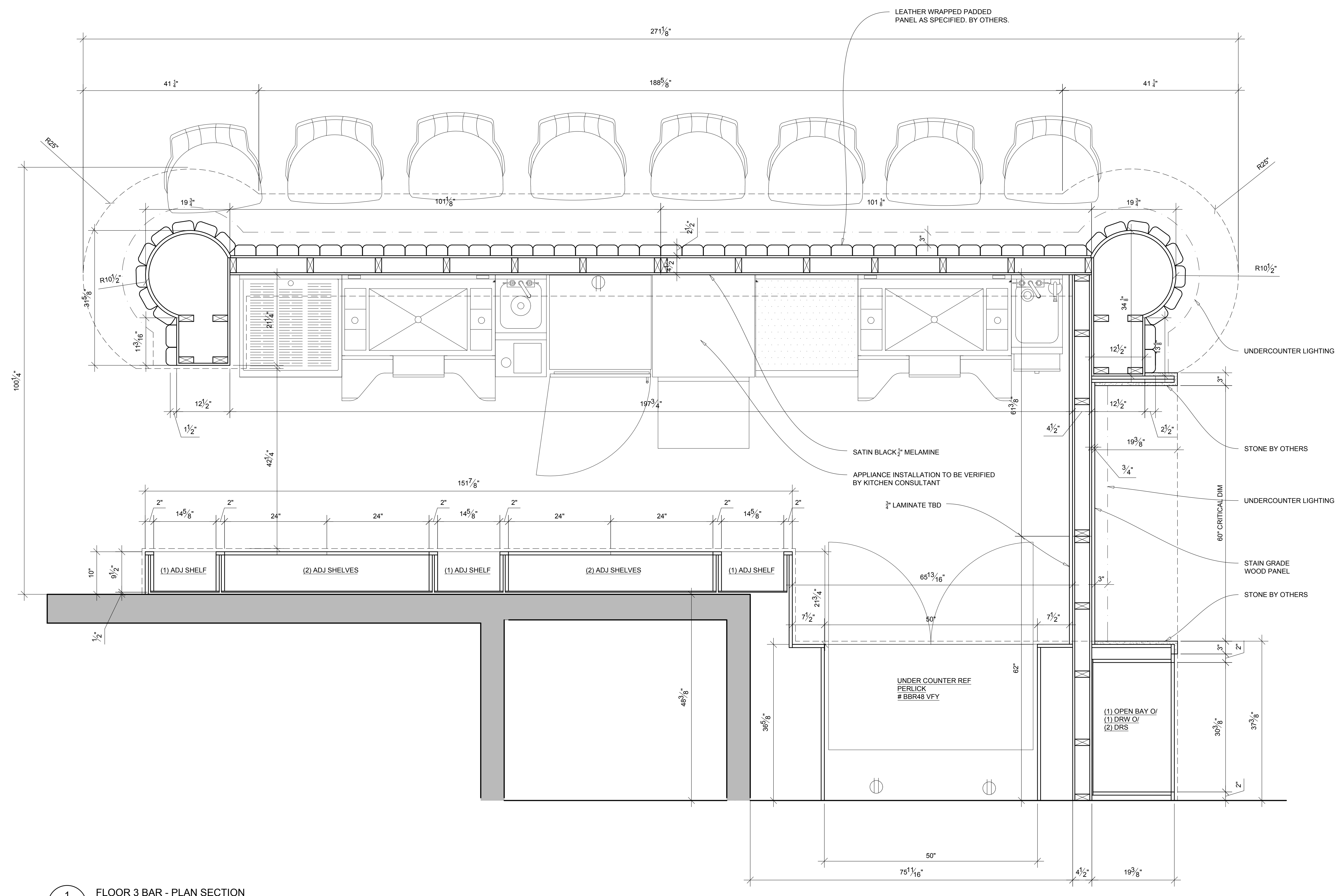
813 MAIN ST BARS & CUSTOM CABINETS
NAPA, CALIFORNIA

PHONE (707) 765-9885 FAX (707) 765-8563
DESIGNINWOODINC.COM

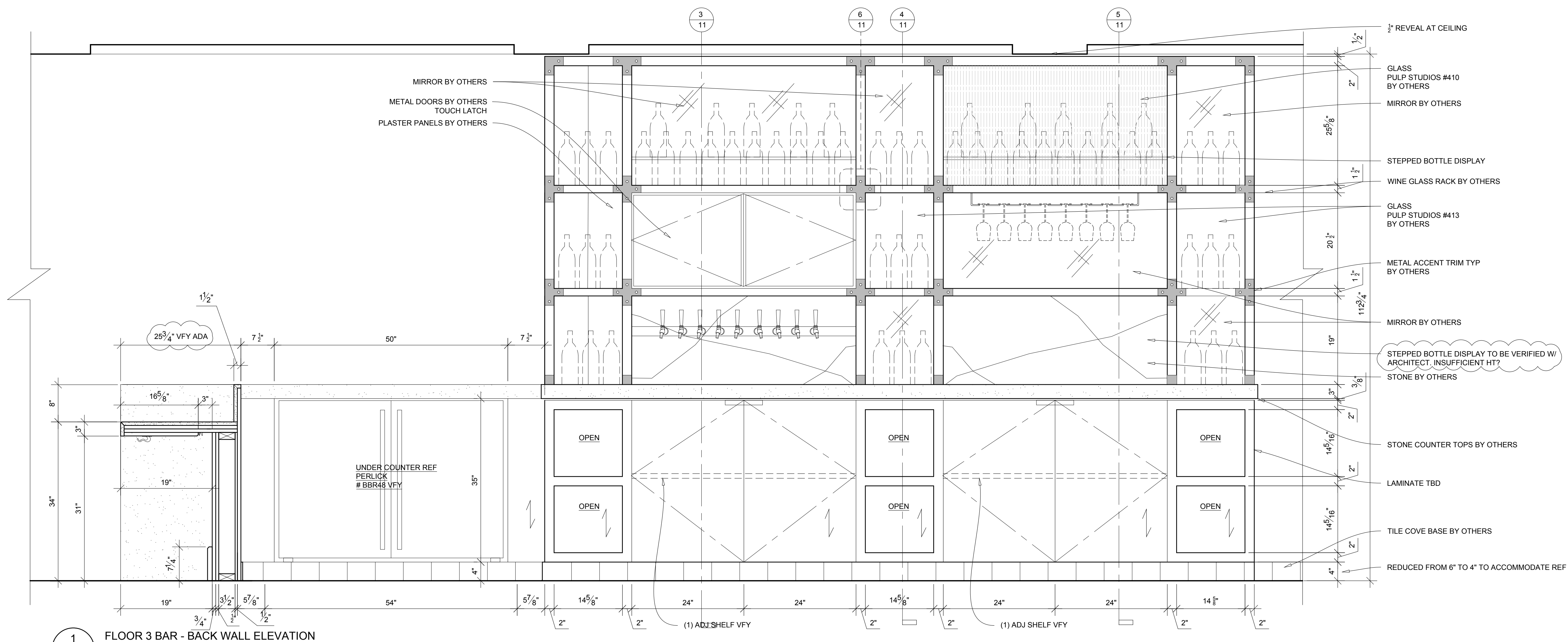


3420 SKILLMAN LANE, PETALUMA, CA 94952
ANDREW JACOBSON
DESIGN IN WOOD, INC

DATE: 08.20.18
SCALE: 1" = 1'-0"
DRAWN BY: PB
JOB: 3RD FLR BAR
SHEET:

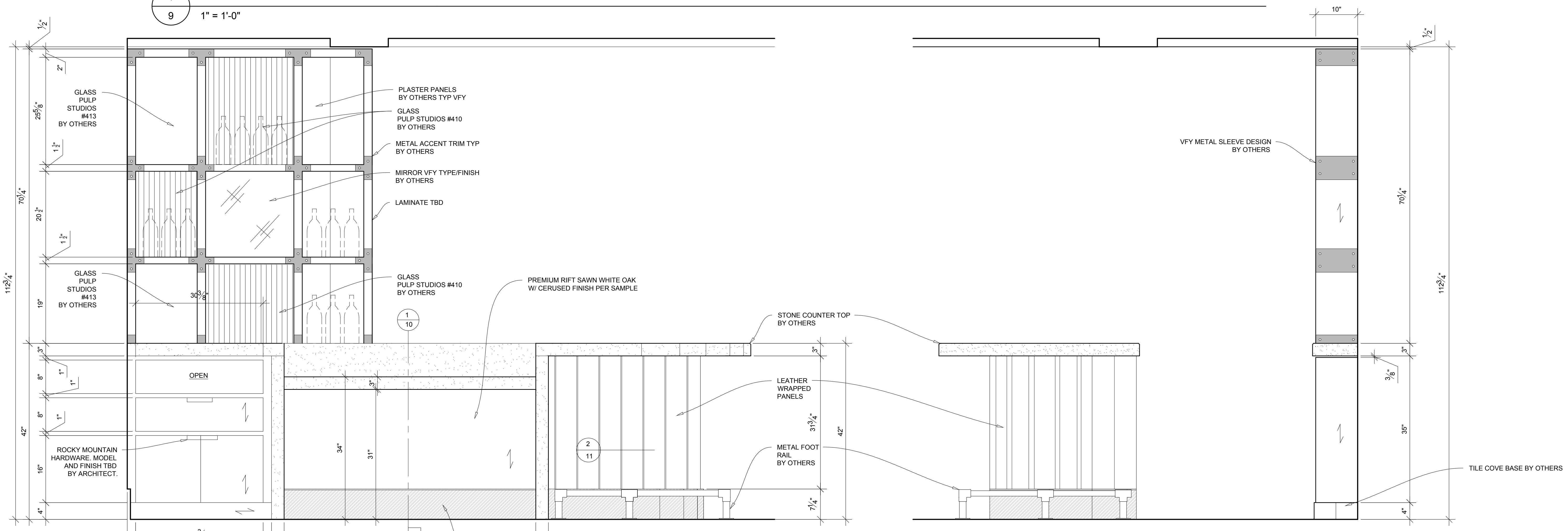


1 FLOOR 3 BAR - PLAN SECTION
8 1" = 1'-0"



1 FLOOR 3 BAR - BACK WALL ELEVATION

9 1" = 1'-0"



2 FLOOR 3 BAR - SIDE ELEVATION

9 1" = 1'-0"

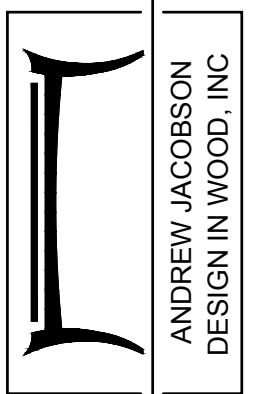
3 FLOOR 3 BAR - SIDE ELEVATION

9 1" = 1'-0"

REVISIONS	BY
08.20.2018	PB
08.28.2018	PB
09.06.2018	PB

813 MAIN ST BARS & CUSTOM CABINETS
NAPA, CALIFORNIA

PHONE (707) 765-9885 FAX (707) 765-8563
DESIGNINWOODINC.COM



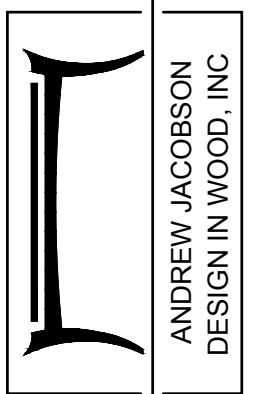
3420 SKILLMAN LANE, PETALUMA, CA 94952
ANDREW JACOBSON
DESIGN IN WOOD, INC

DATE: 08.20.18
SCALE: 1" = 1'-0"
DRAWN BY: PB
JOB: 3RD FLR BAR
SHEET:

REVISIONS	BY
08.20.2018	PB
08.28.2018	PB
09.06.2018	PB

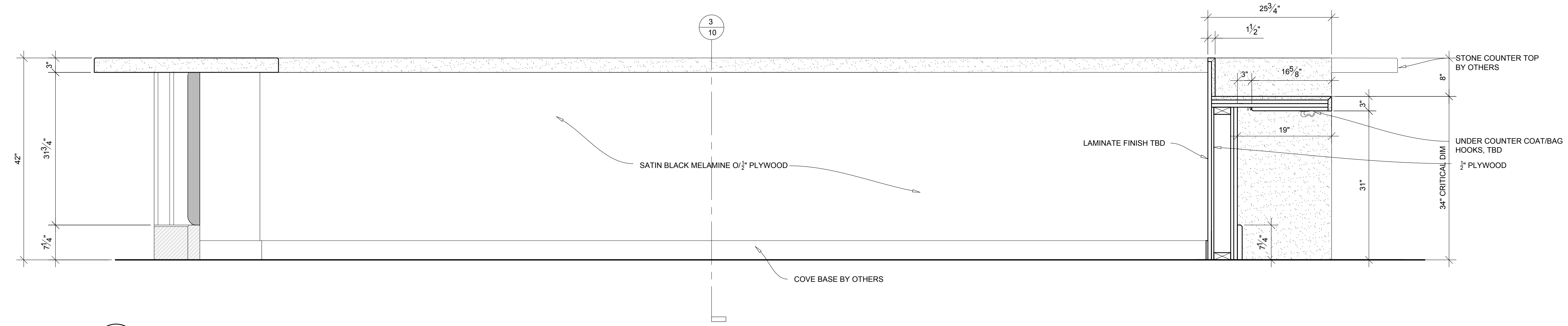
813 MAIN ST BARS & CUSTOM CABINETS
NAPA, CALIFORNIA

PHONE (707) 765-9885 FAX (707) 765-8563
DESIGNINWOODINC.COM

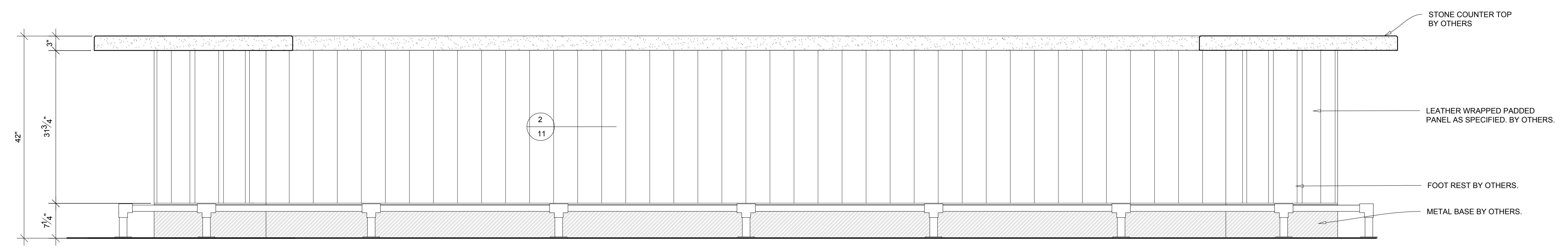


3420 SKILLMAN LANE, PETALUMA, CA 94952
ANDREW JACOBSON
DESIGN IN WOOD, INC

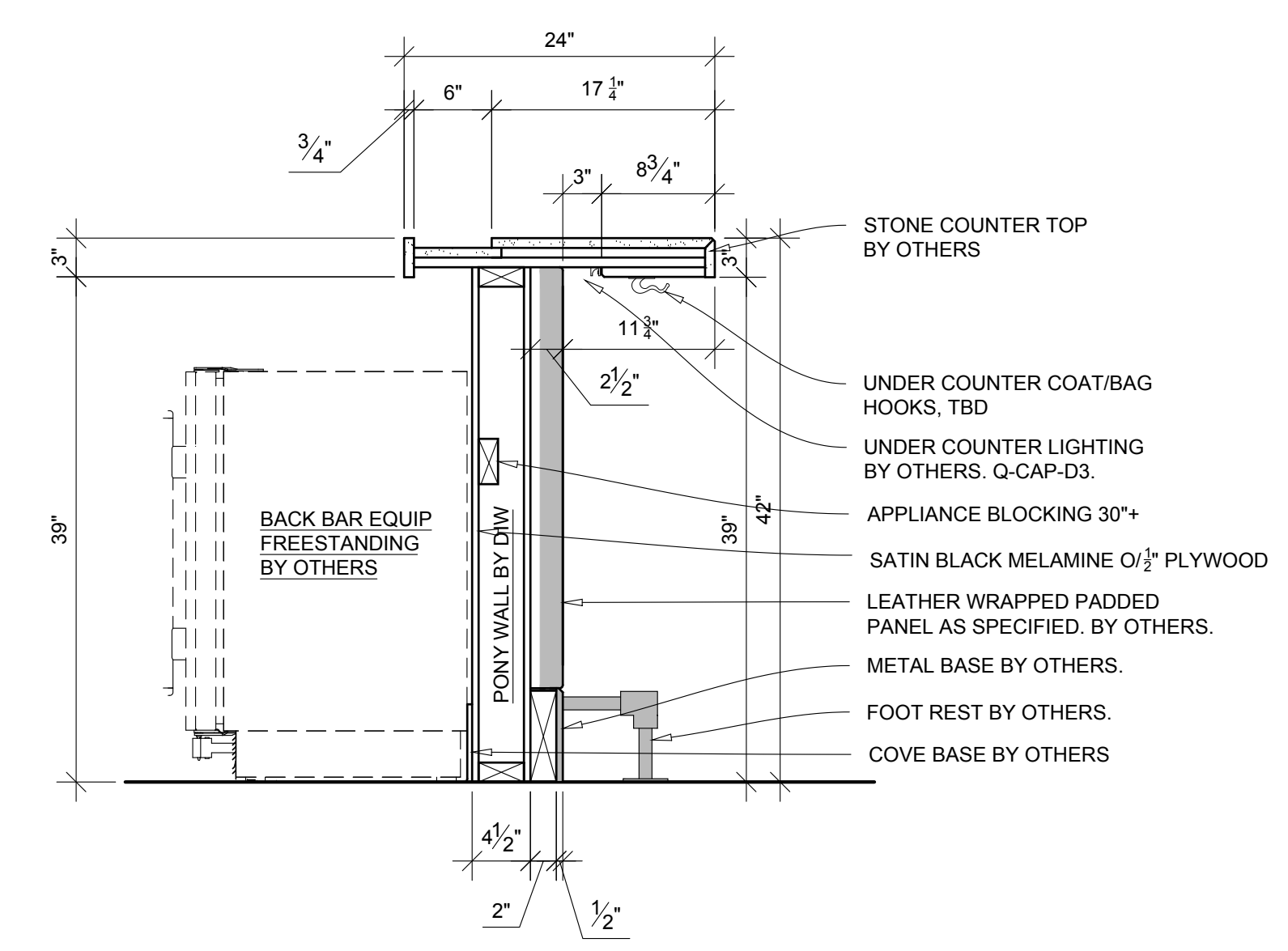
DATE: 08.20.18
SCALE: 1" = 1'-0"
DRAWN BY: PB
JOB: 3RD FLR BAR
SHEET:



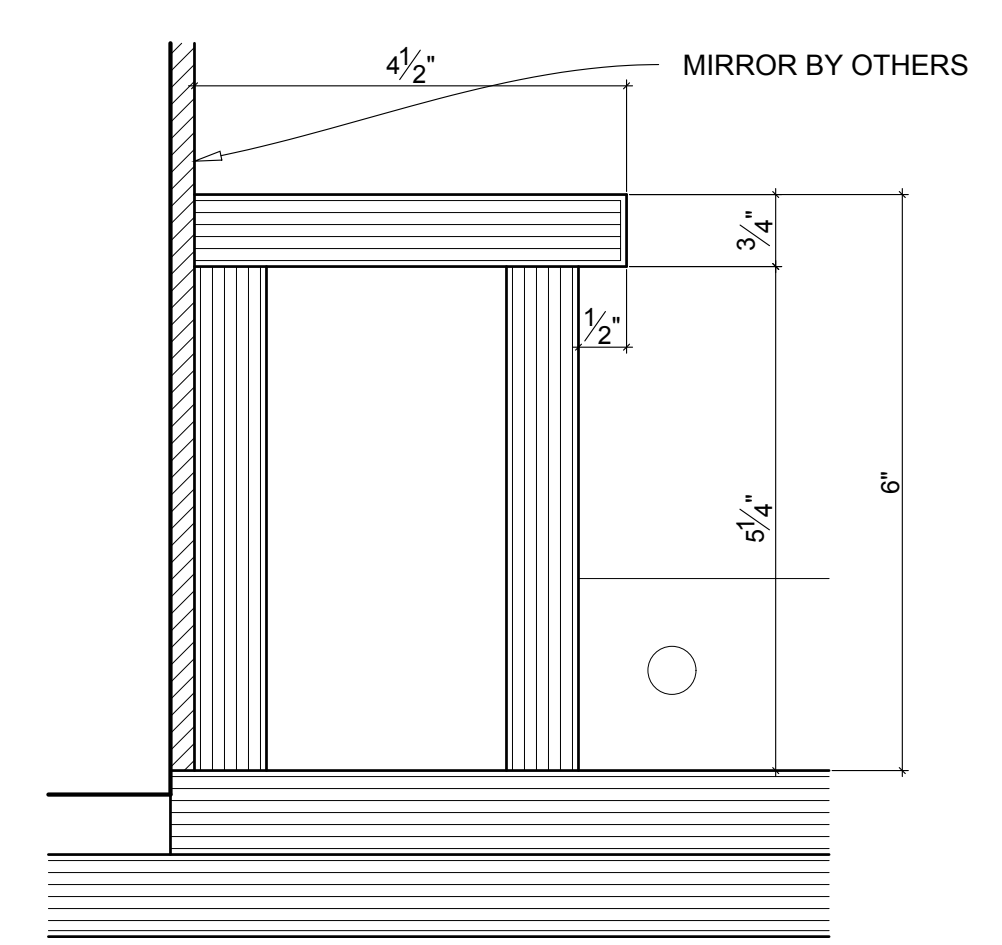
1 FLOOR 3 BAR - BACK BAR ELEVATION
10 1" = 1'-0"



2 FLOOR 3 BAR - FRONT BAR ELEVATION
10 1" = 1'-0"



3 FLOOR 3 BAR - SECTION AT BAR MIDDLE
10 1" = 1'-0"



4 FLOOR 3 BAR - DETAILS @ BOTTOM SHELF
10 HALF SCALE

