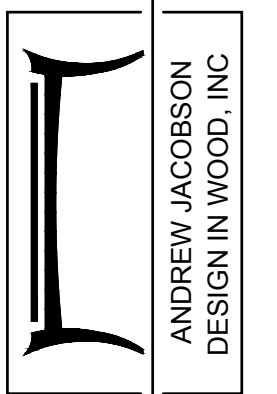


ALPINE : CABINETS AND BUILT-IN FURNITURE

REVISIONS	BY
07.01.2019	PB

PRIVATE RESIDENCE
ALPINE ROAD, PORTOLA VALLEY, CA 94028

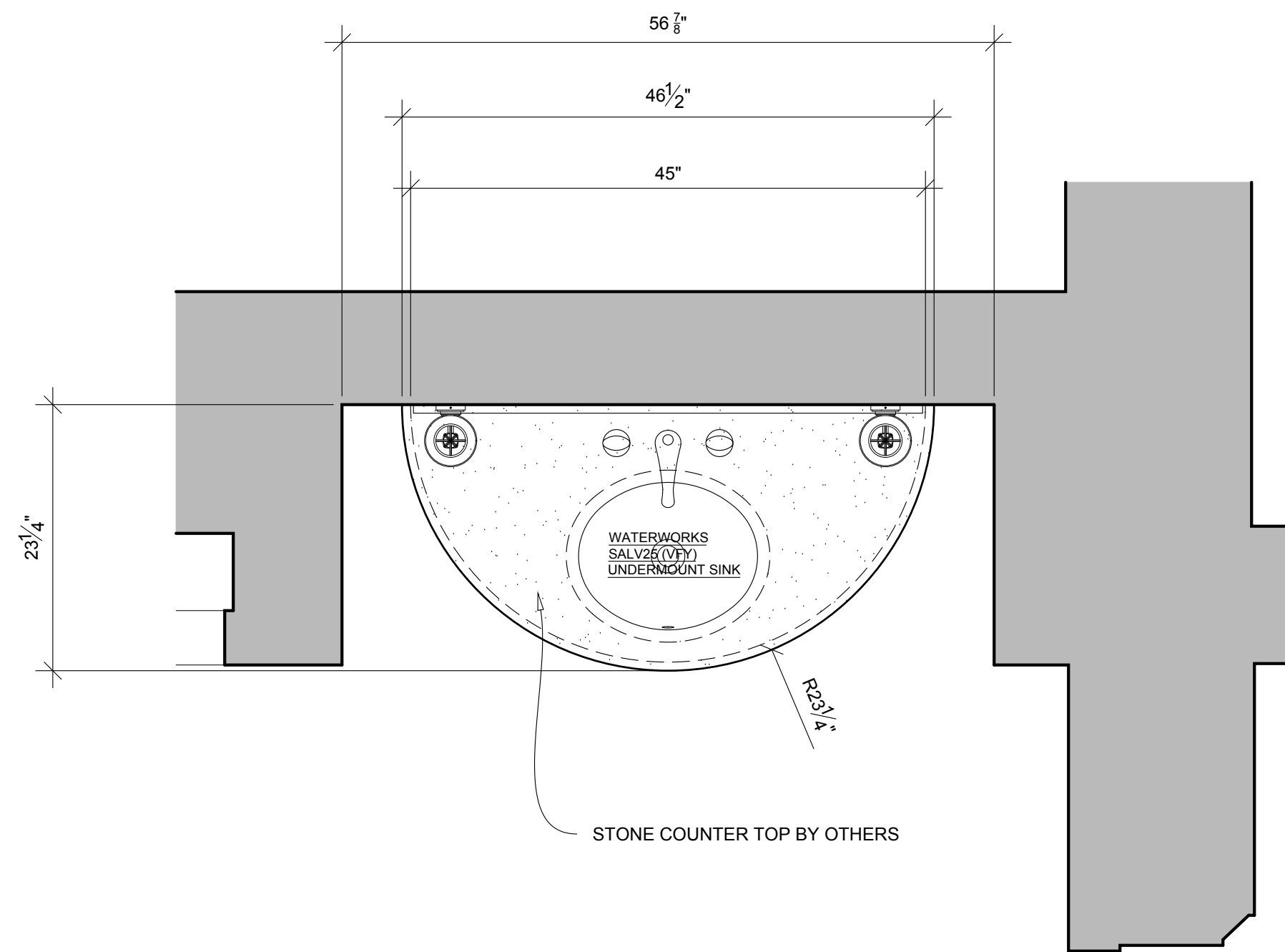
PHONE (707) 765-9885 FAX (707) 765-8563
DESIGNINWOOD.COM



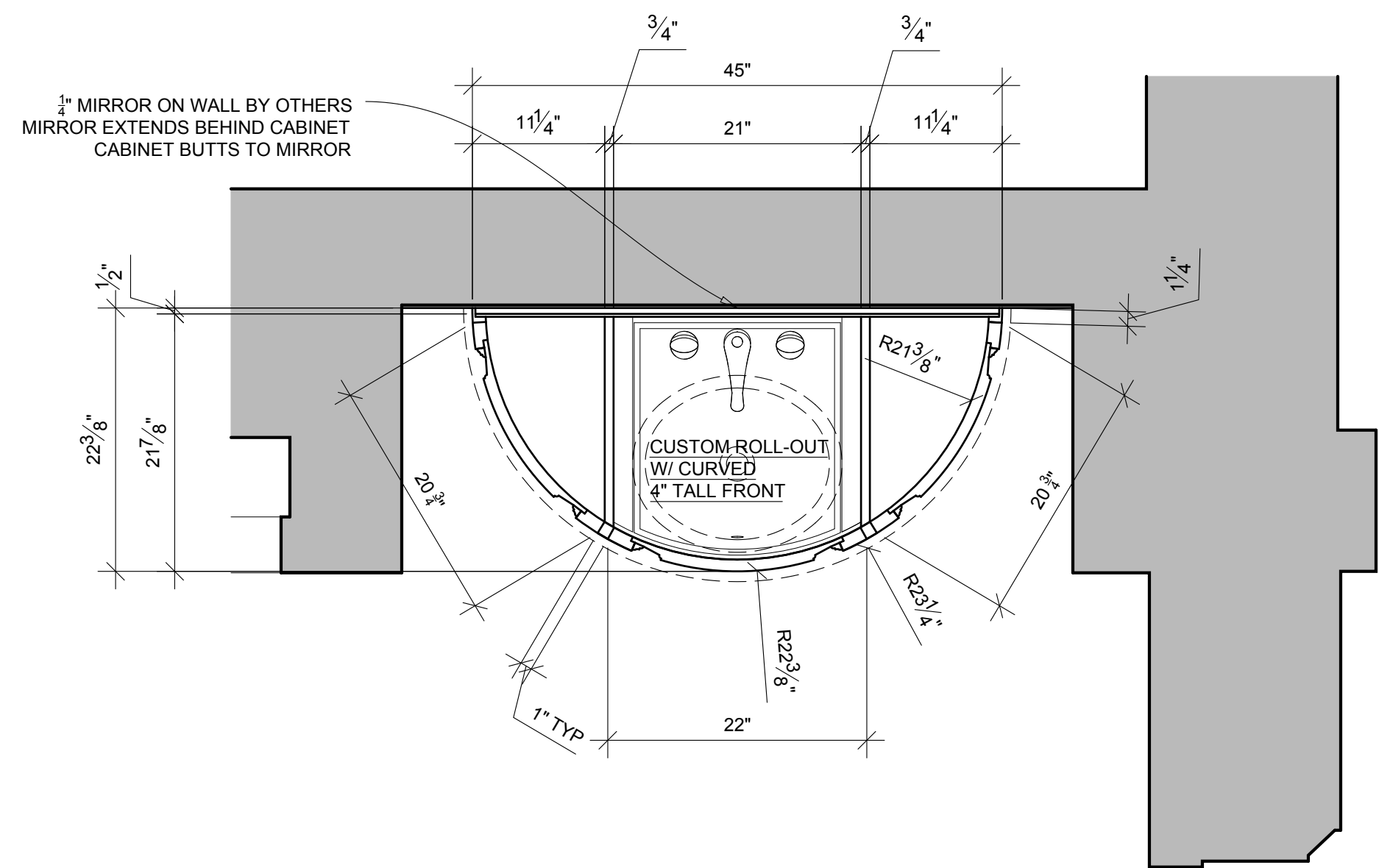
ANDREW JACOBSON
DESIGN IN WOOD, INC

3420 SKILLMAN LANE, PETALUMA, CA 94952

DATE: 05.14.19
SCALE: 1" = 1'-0"
DRAWN BY: PB
JOB: COVER PAGE
SHEET:



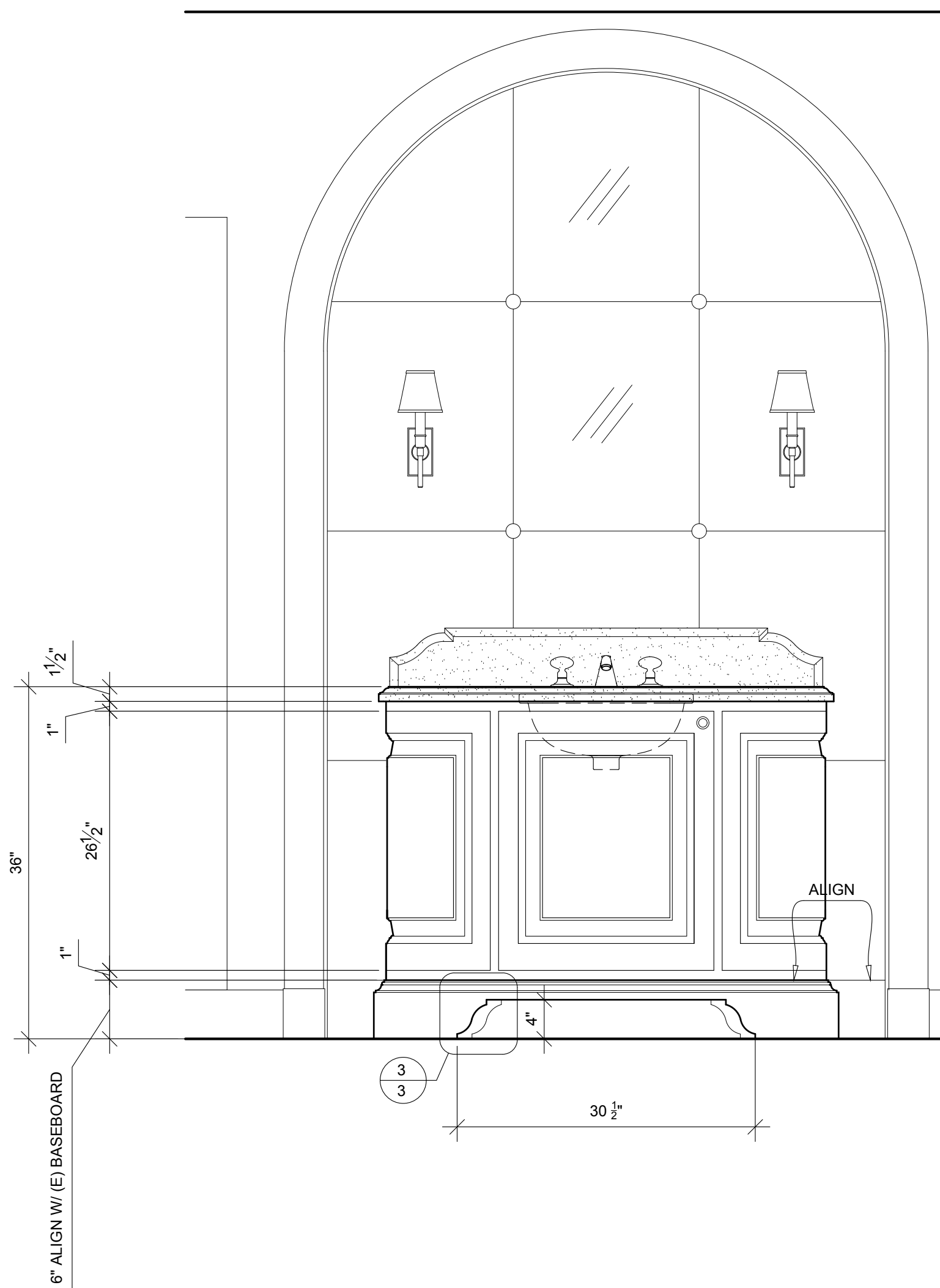
1 PWD RM 110 - PLAN VIEW
2 1" = 1'-0"



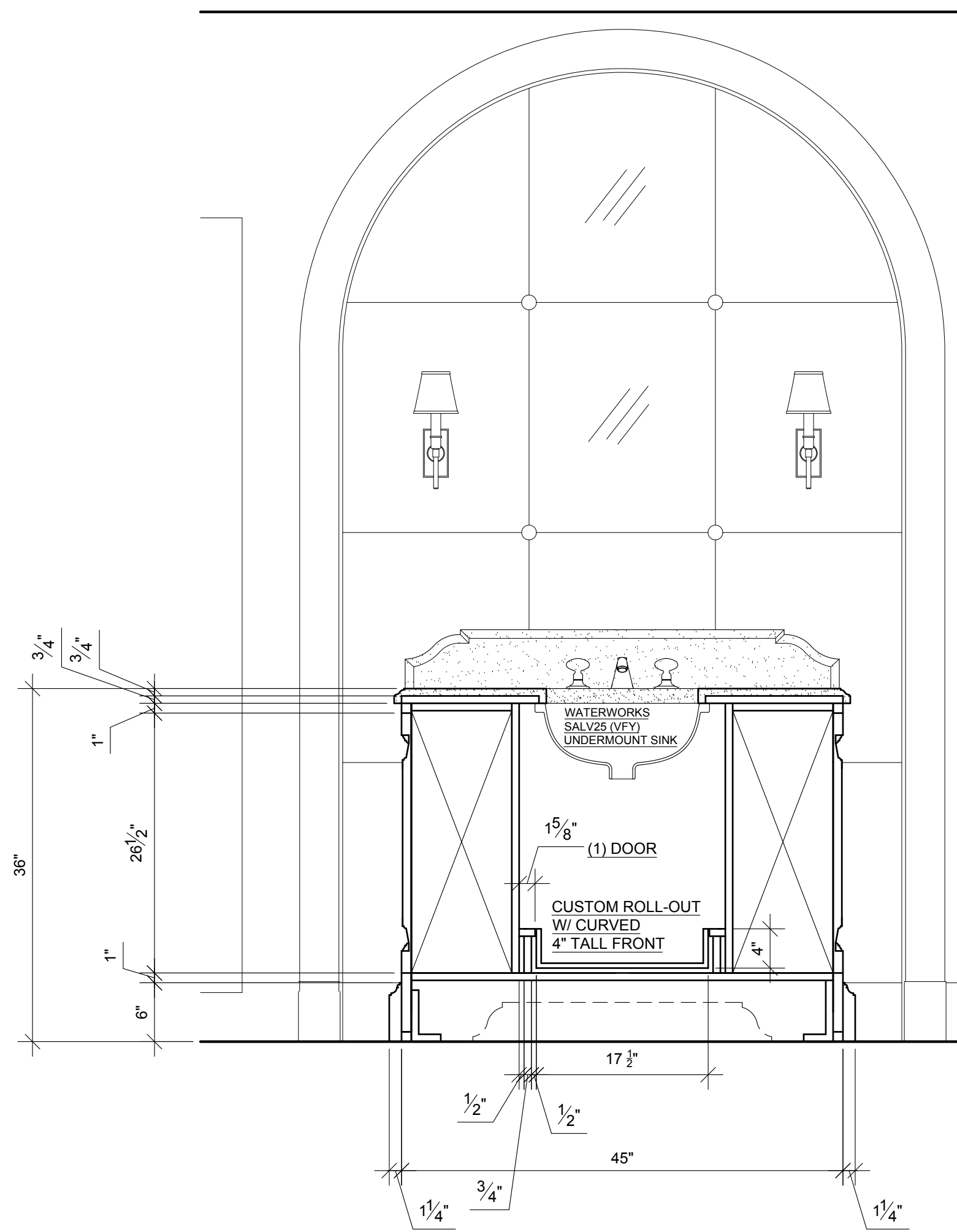
2 PWD RM 110 - PLAN SECTION
2 1" = 1'-0"

CONSTRUCTION NOTES:

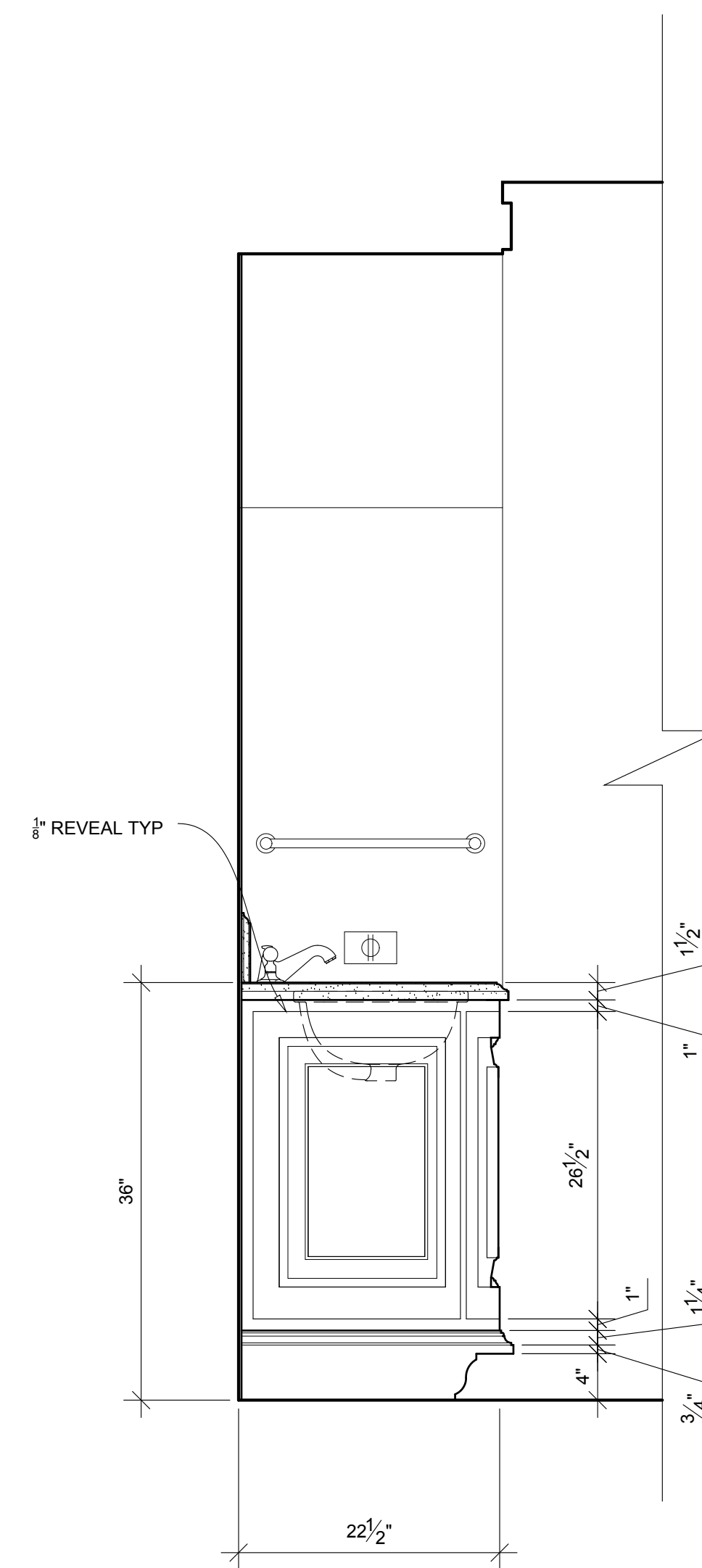
- EXTERIOR WOOD SURFACES TO BE PREMIUM PAINT GRADE.
- JOB SITE APPLIED PAINTED FINISH BY OTHERS.
- INTERIOR SURFACES TO BE PRE-FINISHED.
- MAPLE PLYWOOD UNLESS NOTED.
- BLUM 110 DEGREE HINGES W/ BLUMOTION SOFT CLOSE FEATURE.
- 3/8" DOOR REVEALS TYP.
- DOOR PULL TBD, SUPPLIED BY CLIENT.
- STONE COUNTER TOPS BY OTHERS.
- 5/8" OR 3/4" PLYWOOD SUB TOPS BY DIW.
- CONTRACTOR IS RESPONSIBLE FOR COORDINATING CASEWORK INSTALLATION W/ ALL RELATED TRADES.



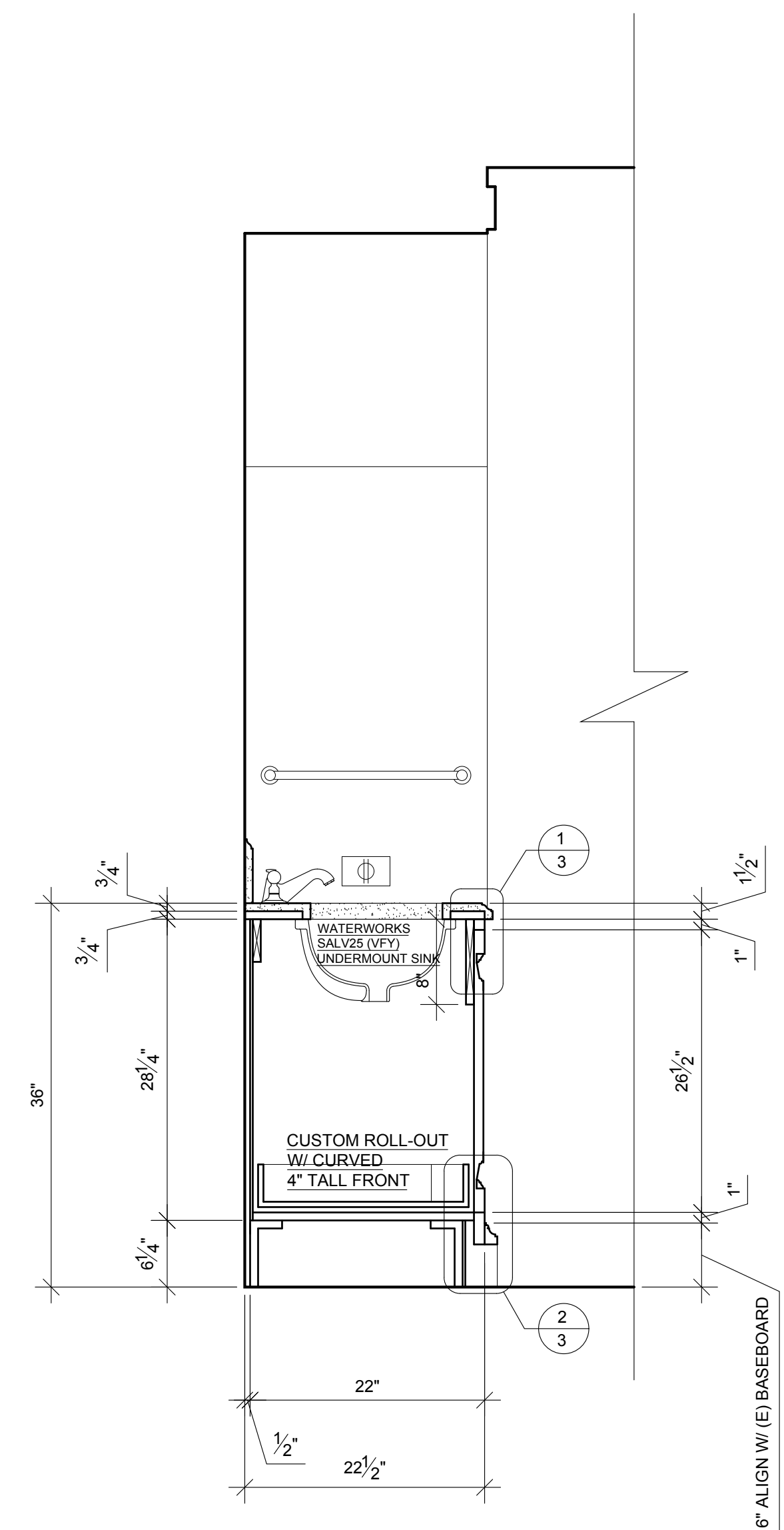
3 PWD RM 110 - FRONT ELEVATION
2 1" = 1'-0"



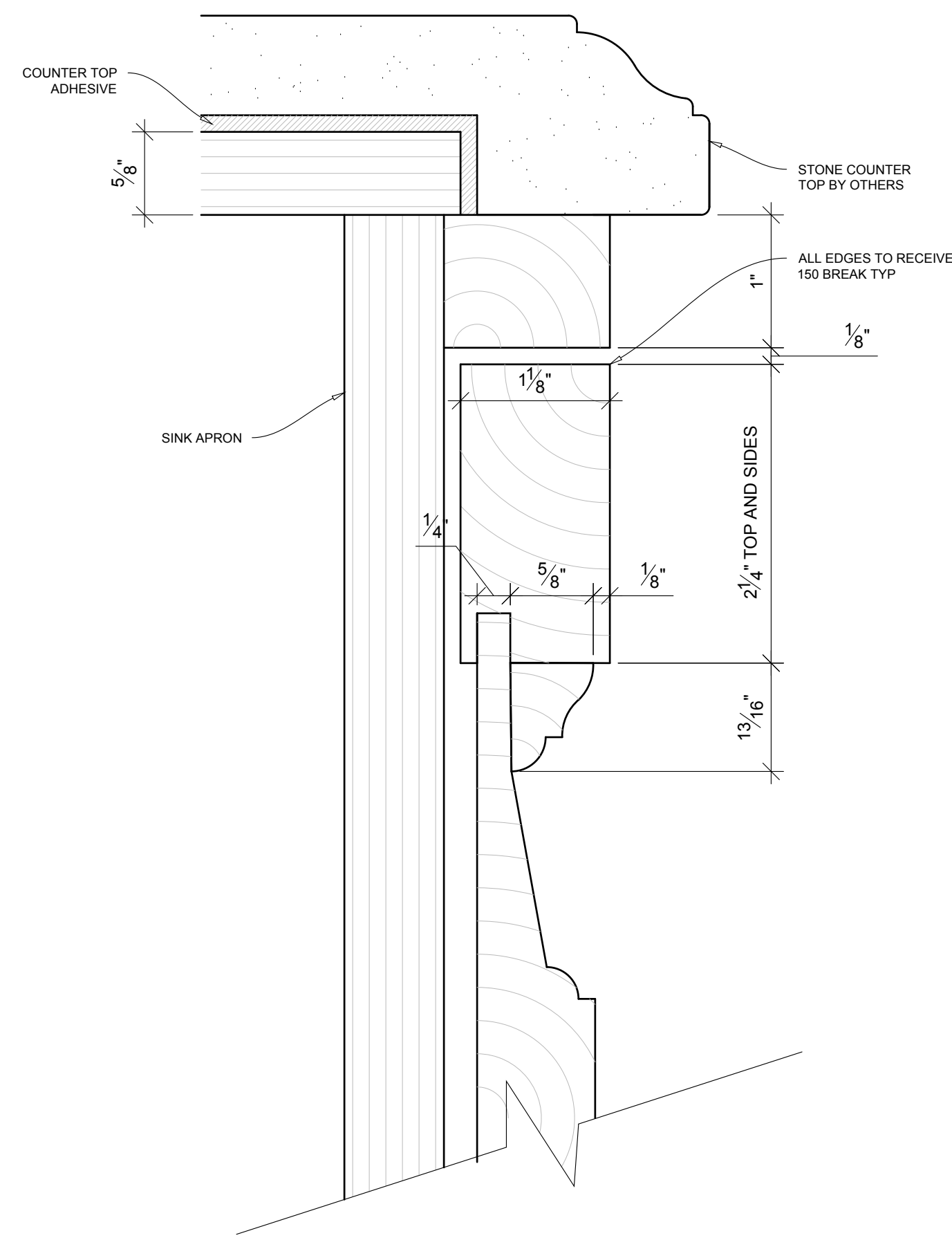
4 PWD RM 110 - FRONT SECTION
2 1" = 1'-0"



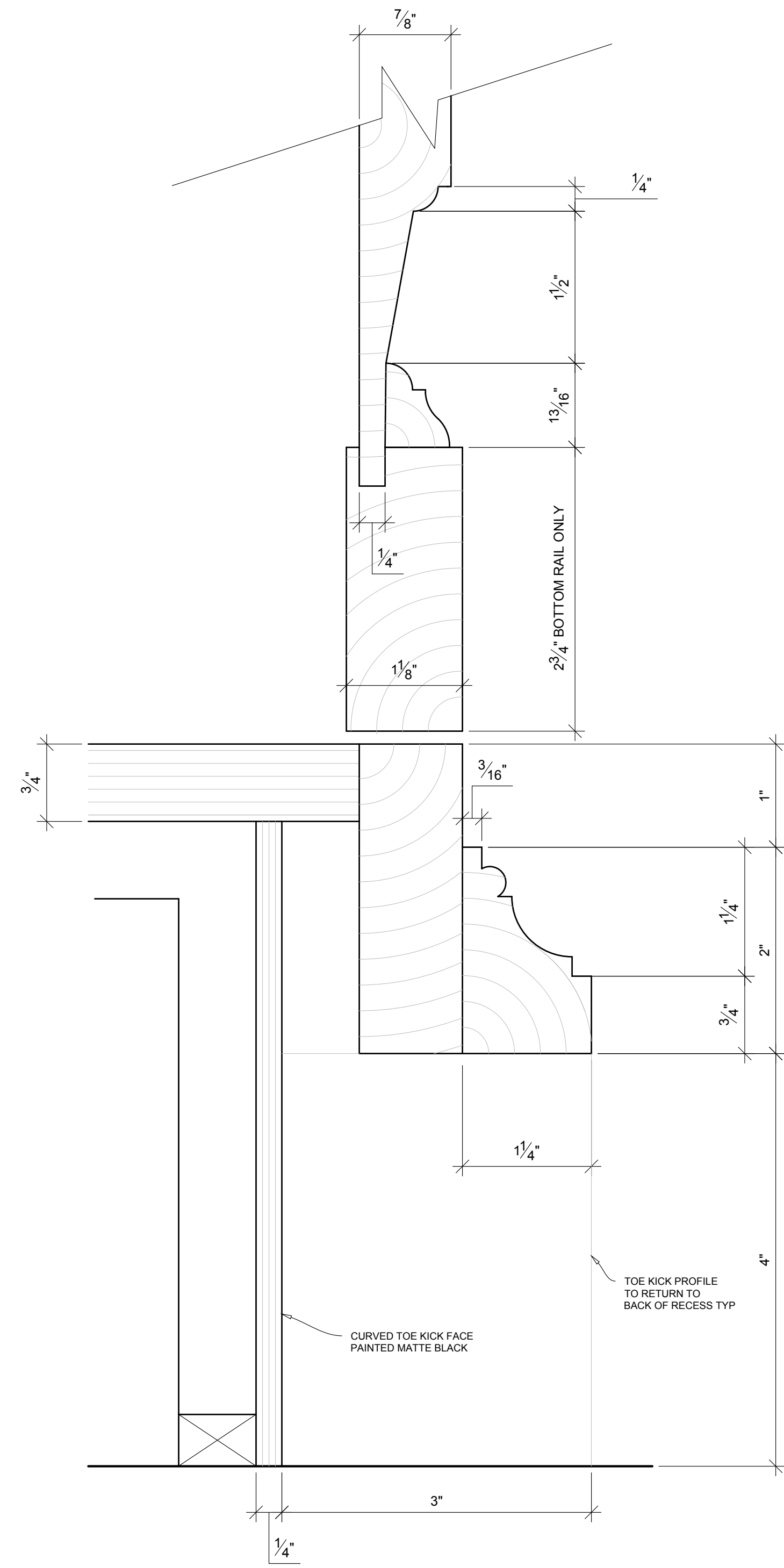
5 PWD RM 110 - SIDE ELEVATION
2 1" = 1'-0"



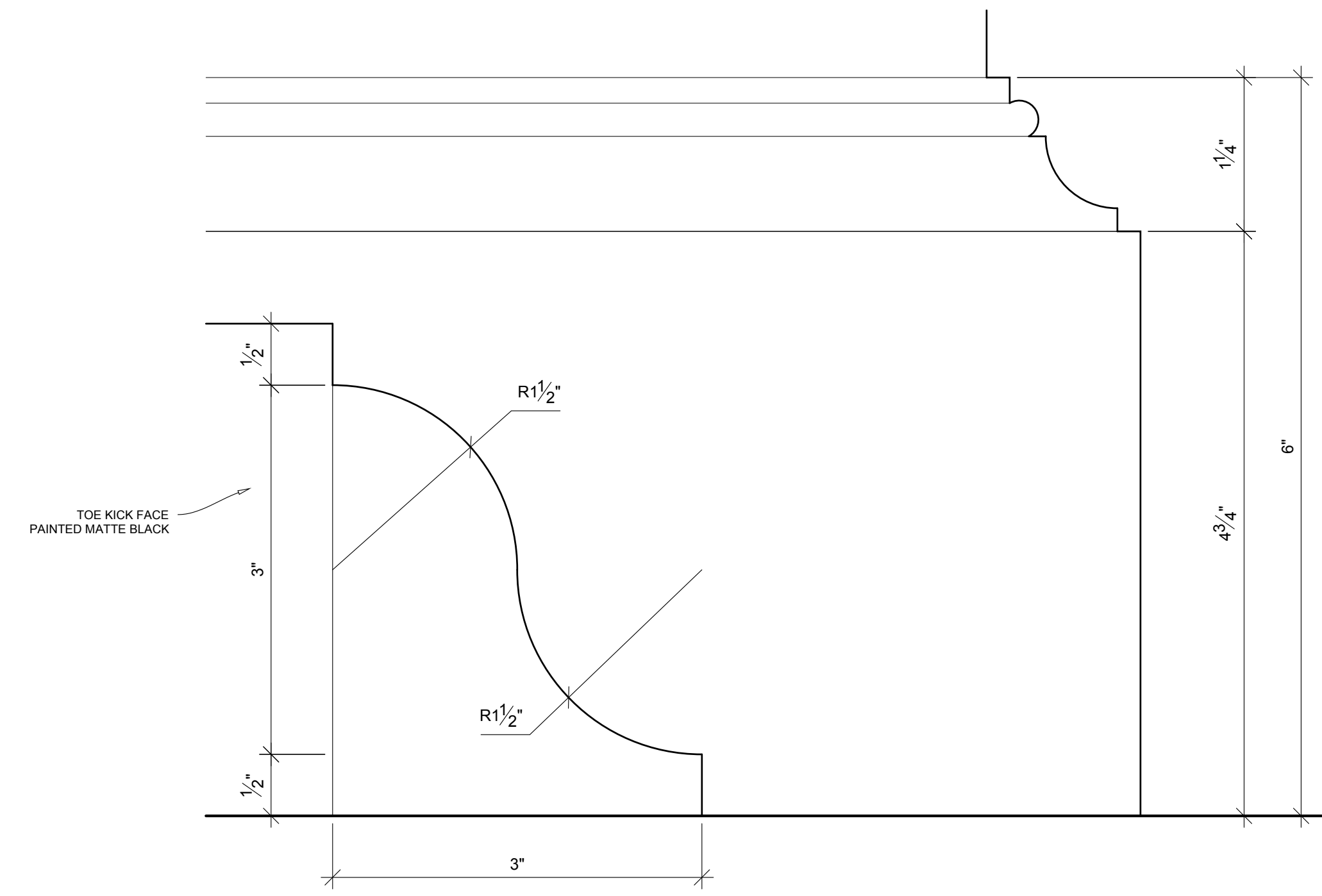
6 PWD RM 110 - SIDE SECTION
2 1" = 1'-0"



1 PWD RM 110 - DETAIL AT COUNTER TOP
 3 FULL SCALE



2 PWD RM 110 - DETAIL AT TOE KICK
 3 FULL SCALE

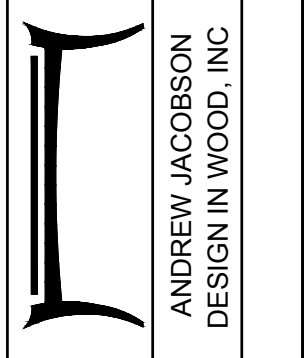


3 PWD RM 110 - DETAIL AT BASE
 3 FULL SCALE

REVISIONS	BY
07.01.2019	PB

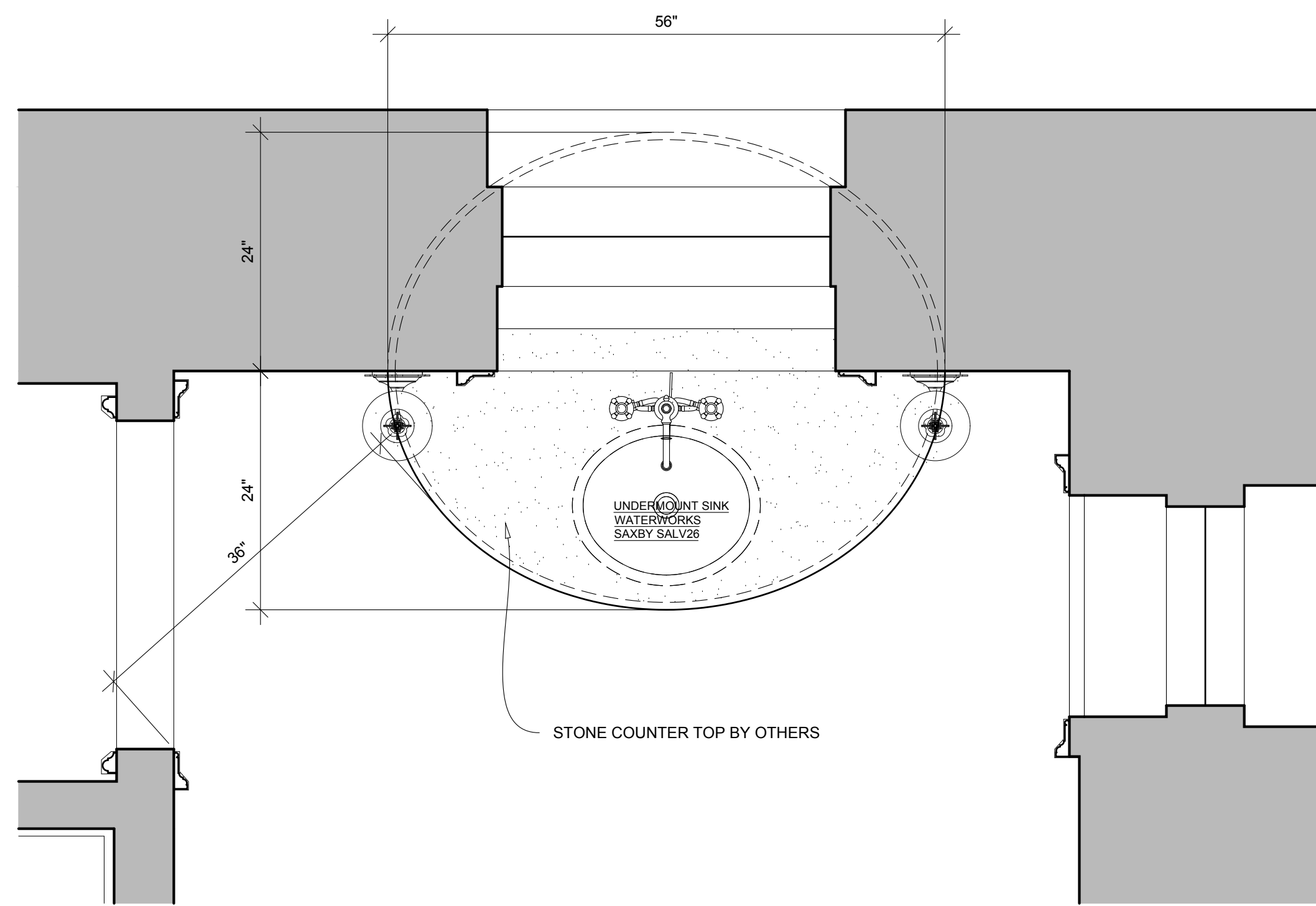
PRIVATE RESIDENCE
 ALPINE ROAD, PORTOLA VALLEY, CA 94028

PHONE (707) 765-9885 FAX (707) 765-8563
 DESIGNINWOOD.COM

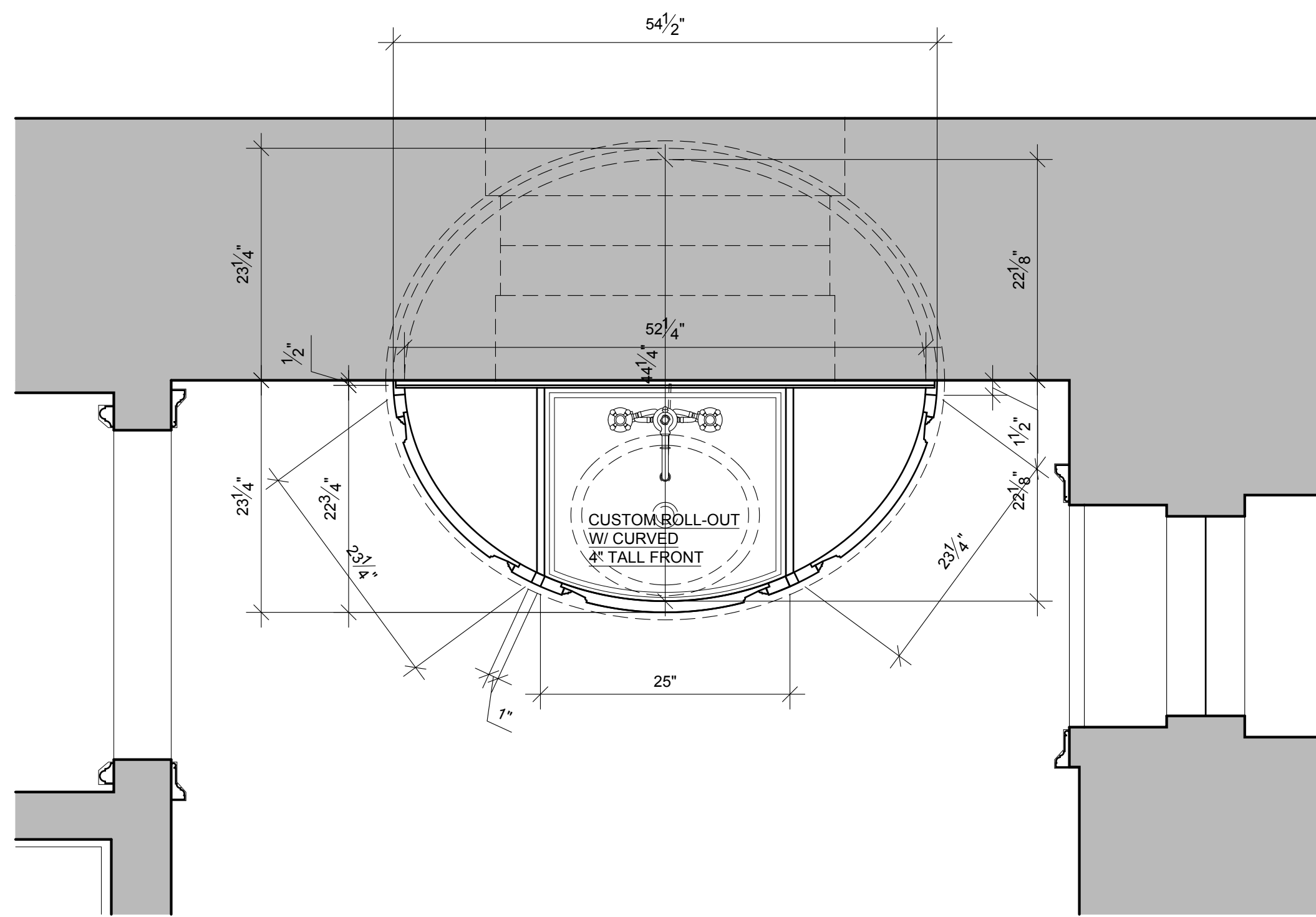


3420 SKILLMAN LANE, PETALUMA, CA 94952
 ANDREW JACOBSON
 DESIGN IN WOOD, INC

DATE: 05.14.19
 SCALE: 1" = 1'-0"
 DRAWN BY: PB
 JOB: PWD RM 110
 SHEET:



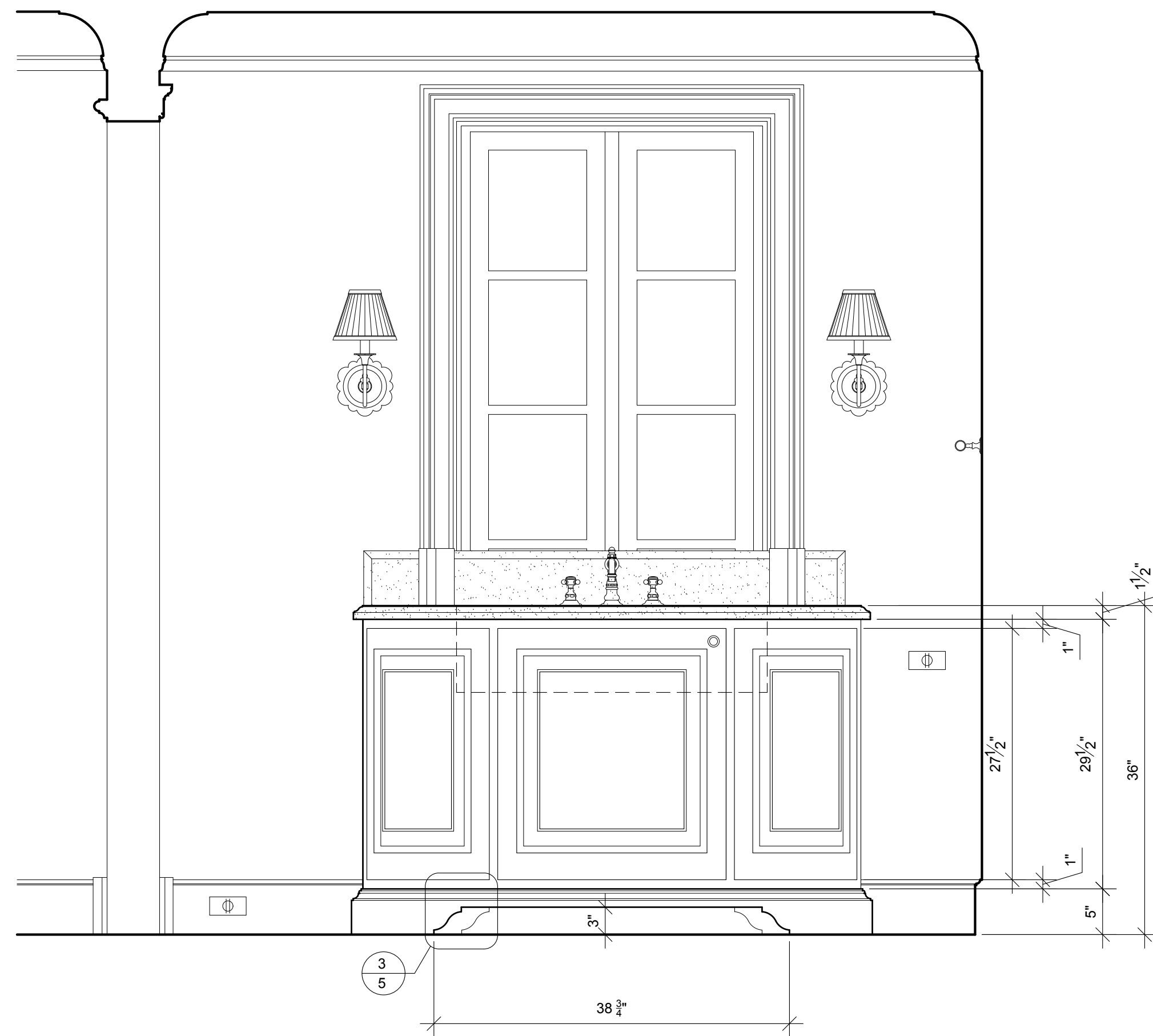
1 BATH 303 - PLAN VIEW
4 1" = 1'-0"



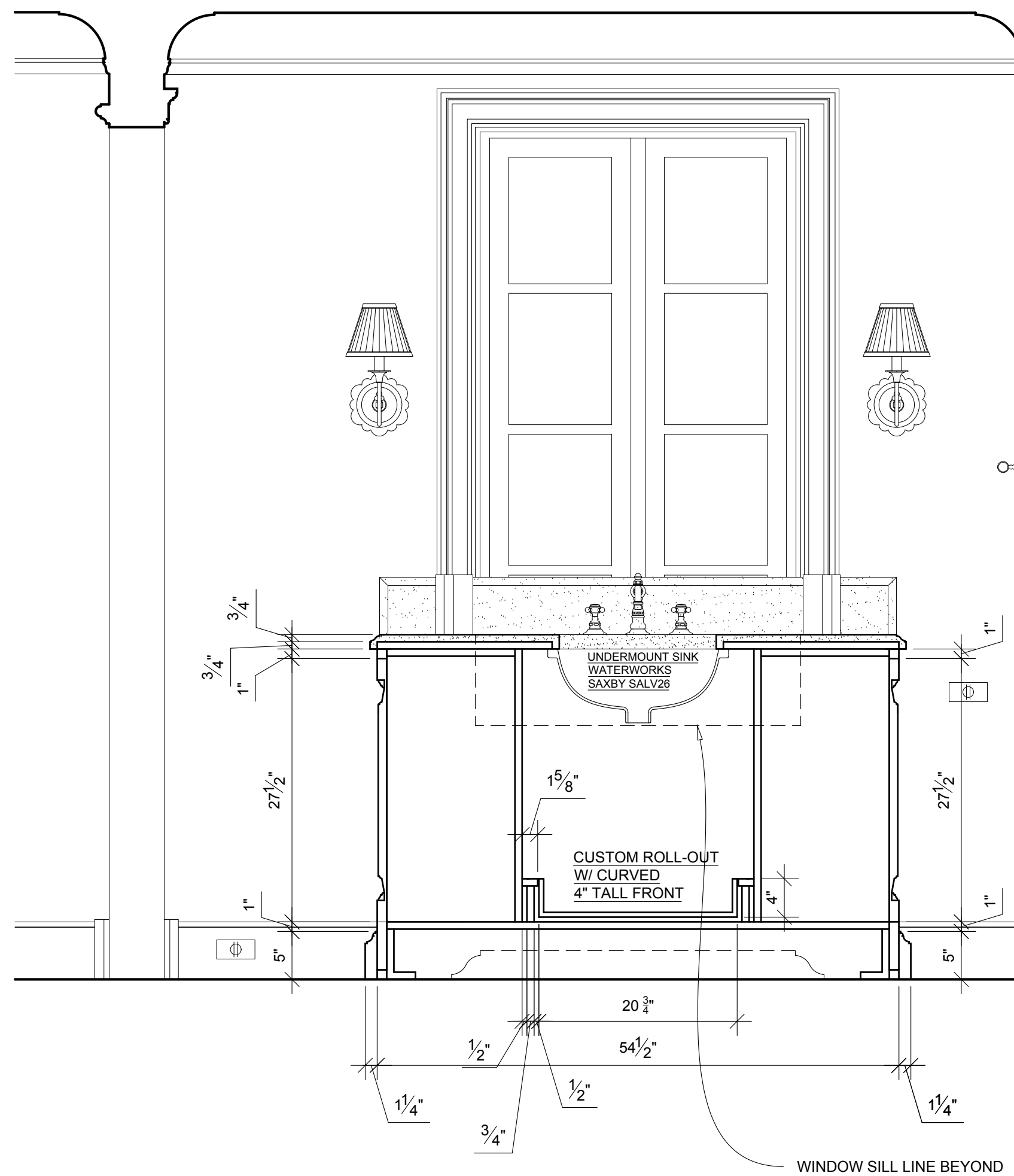
2 BATH 303 - PLAN SECTION
4 1'-0" = 1'-0"

CONSTRUCTION NOTES:

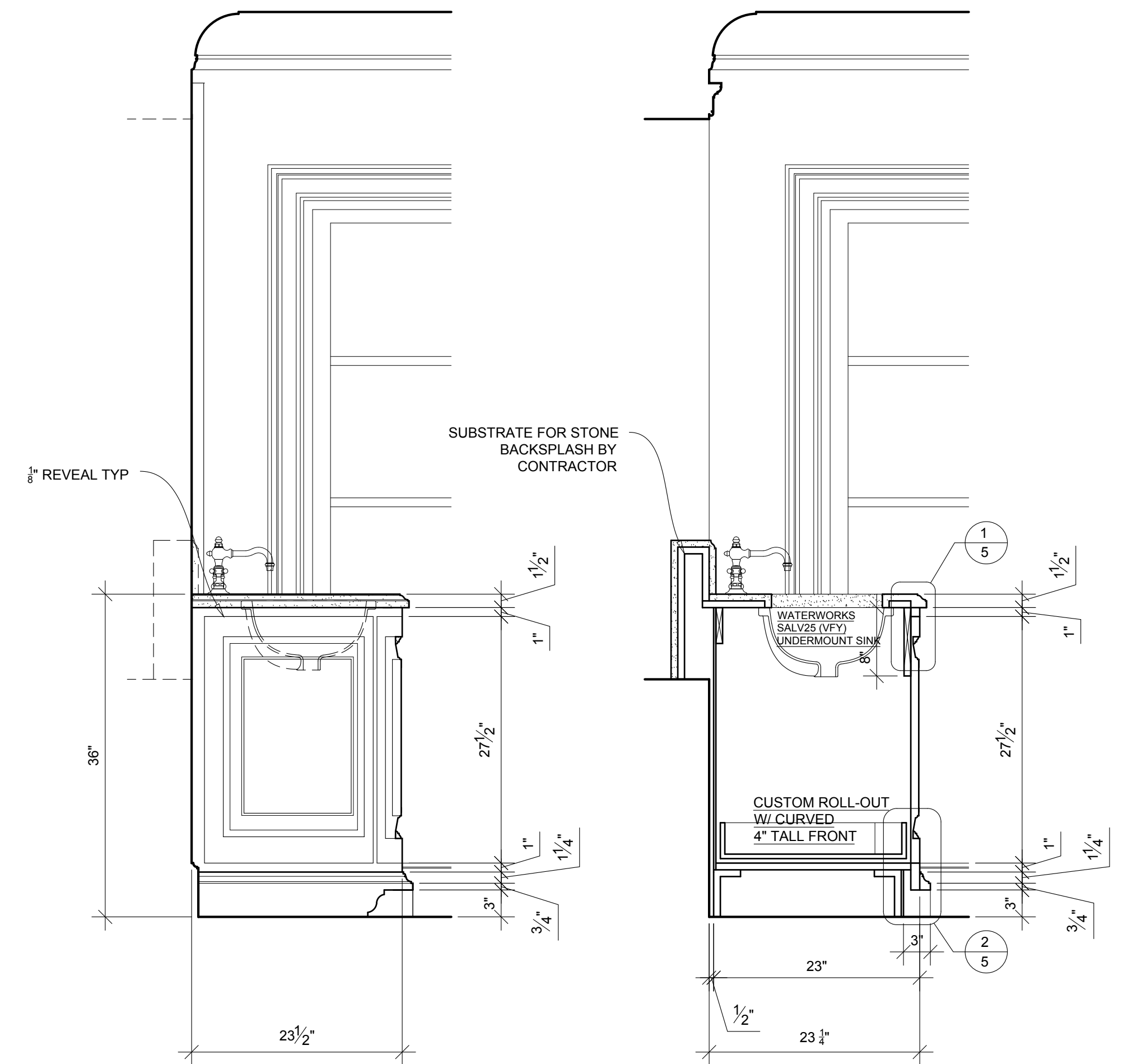
- EXTERIOR WOOD SURFACES TO BE PREMIUM PAINT GRADE.
- JOB SITE APPLIED PAINTED FINISH BY OTHERS.
- INTERIOR SURFACES TO BE PRE-FINISHED MAPLE PLYWOOD UNLESS NOTED.
- BLUM 110 DEGREE HINGES W/ BLUMOTION SOFT CLOSE FEATURE
- 3/8" DOOR REVEALS TYP.
- DOOR PULL TBD, SUPPLIED BY CLIENT.
- STONE COUNTER TOPS BY OTHERS.
- 5/8" OR 3/4" PLYWOOD SUB TOPS BY DIW.
- CONTRACTOR IS RESPONSIBLE FOR COORDINATING CASEWORK INSTALLATION W/ ALL RELATED TRADES.



3 BATH 303 - FRONT ELEVATION
4 1'-0" = 1'-0"



4 BATH 303 - FRONT SECTION
4 1'-0" = 1'-0"



4 BATH 303 - FRONT SECTION
4 1'-0" = 1'-0"

4 BATH 303 - FRONT SECTION
4 1'-0" = 1'-0"

REVISIONS	BY
07.01.2019	PB

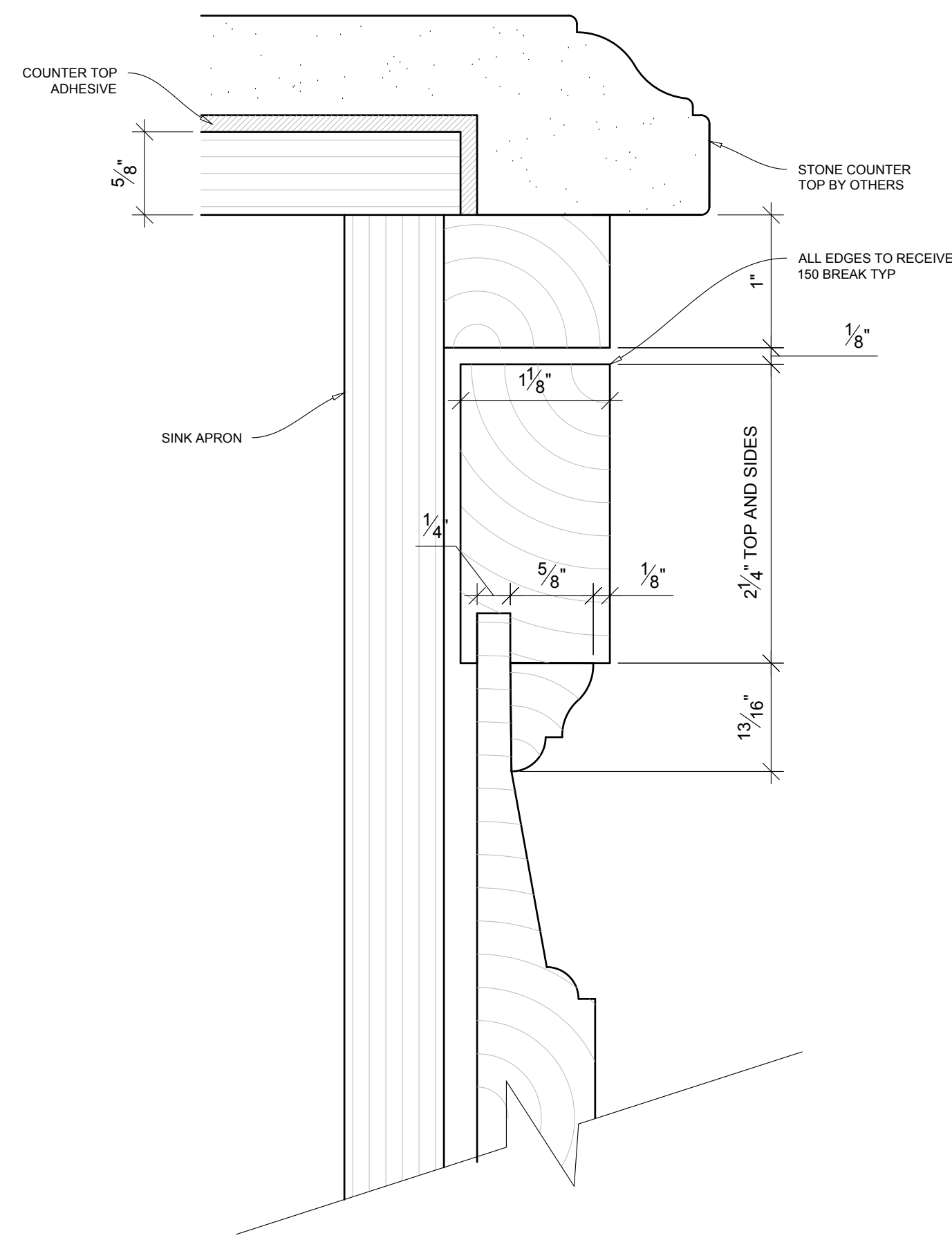
PRIVATE RESIDENCE
ALPINE ROAD, PORTOLA VALLEY, CA 94028

3420 SKILLMAN LANE, PETALUMA, CA 94952

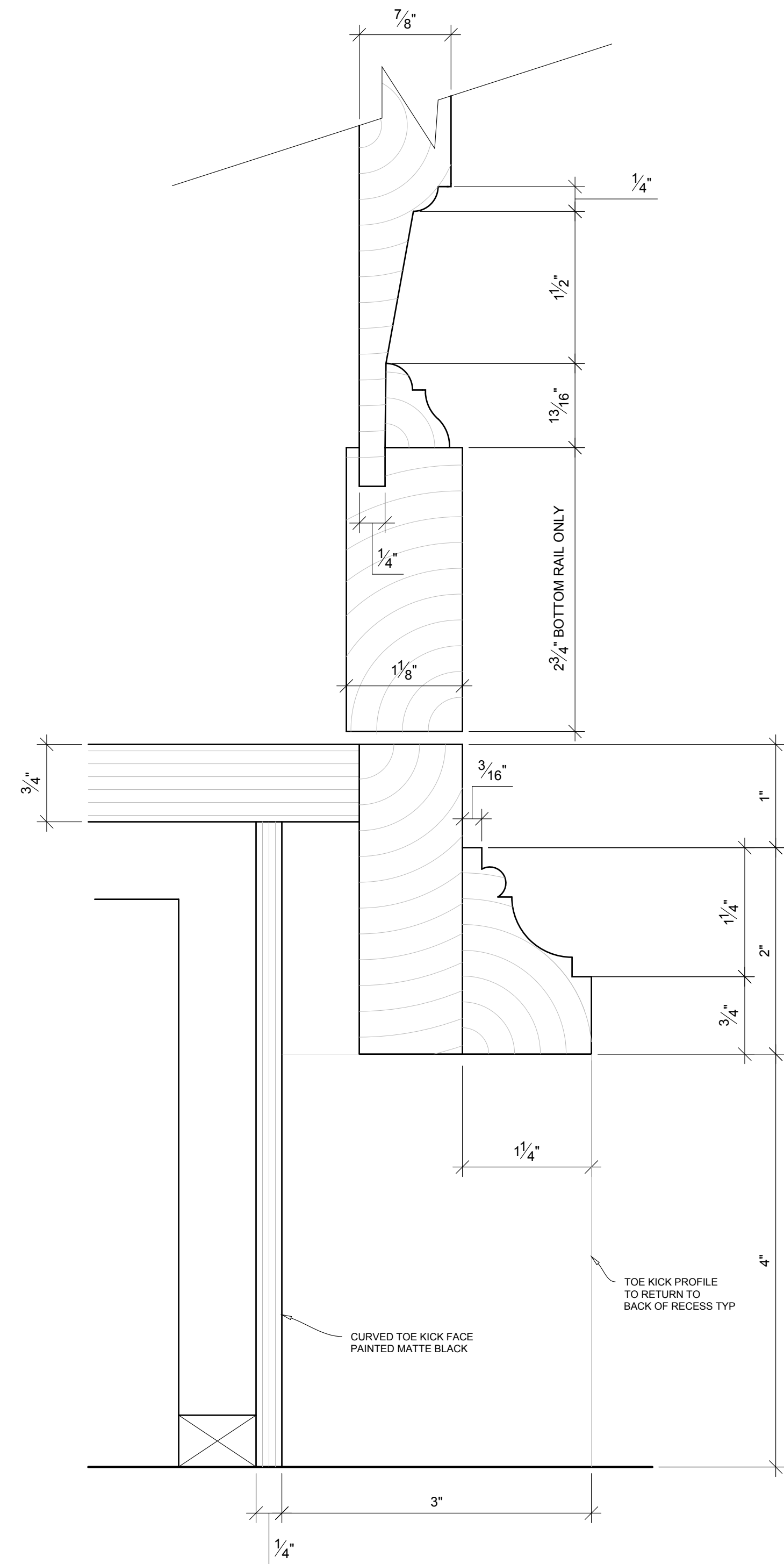
PHONE (707) 765-9885 FAX (707) 765-8563
DESIGNINWOODINC.COM

ANDREW JACOBSON
DESIGN IN WOOD, INC.

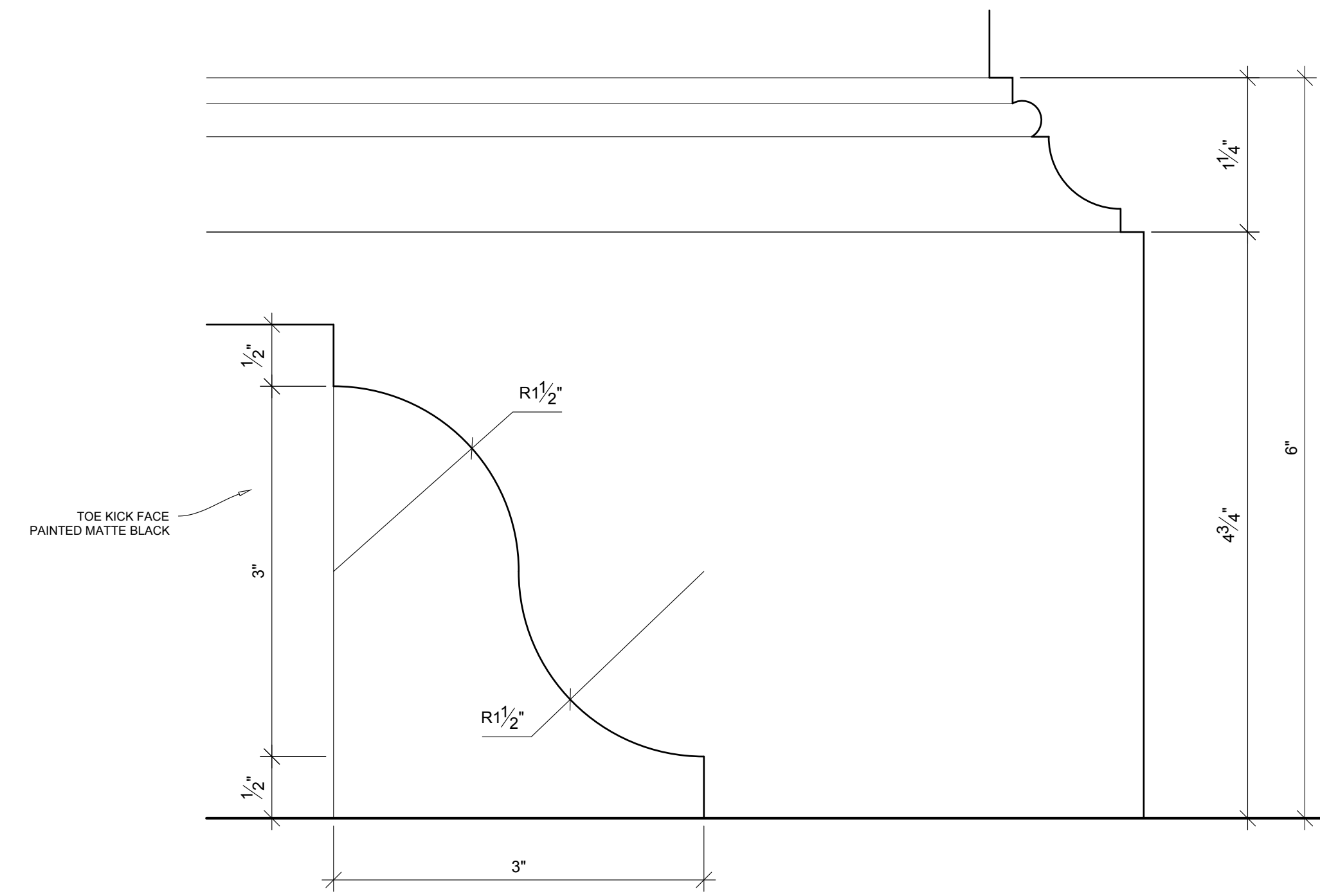
DATE: 05.14.19
SCALE: 1" = 1'-0"
DRAWN BY: PB
JOB: BATH 303
SHEET:



1 BATH 303 - DETAIL AT COUNTER TOP
5 FULL SCALE



2 BATH 303 - DETAIL AT TOE KICK
5 FULL SCALE

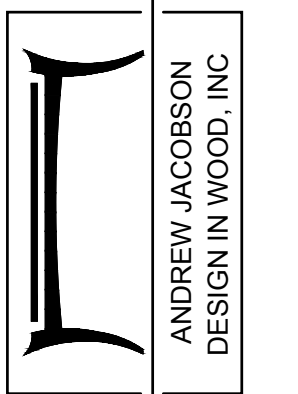


3 BATH 303 - DETAIL AT BASE
5 FULL SCALE

REVISIONS	BY
07.01.2019	PB

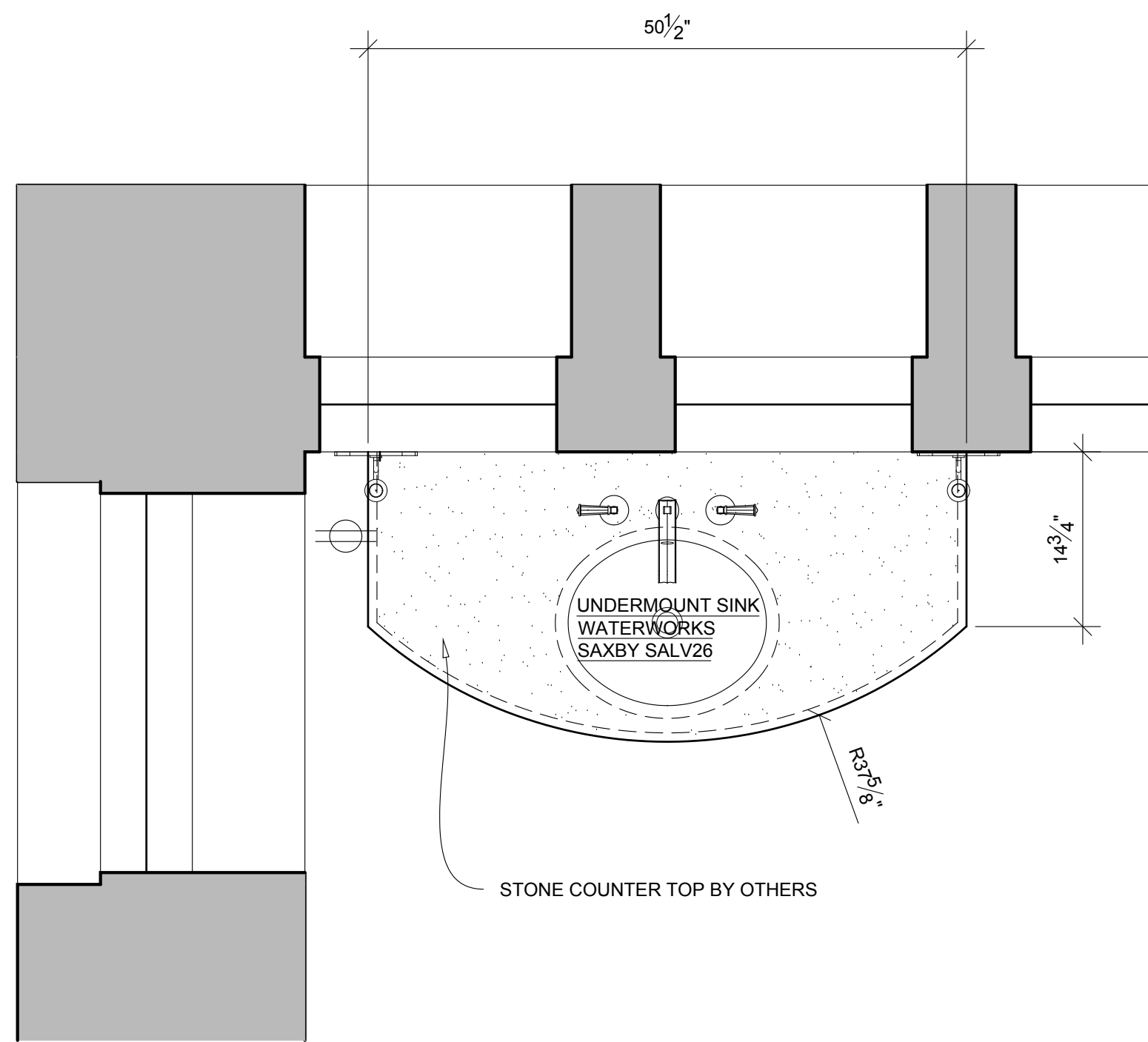
PRIVATE RESIDENCE
ALPINE ROAD, PORTOLA VALLEY, CA 94028

PHONE (707) 765-9885 FAX (707) 765-8563
DESIGNINWOOD.COM

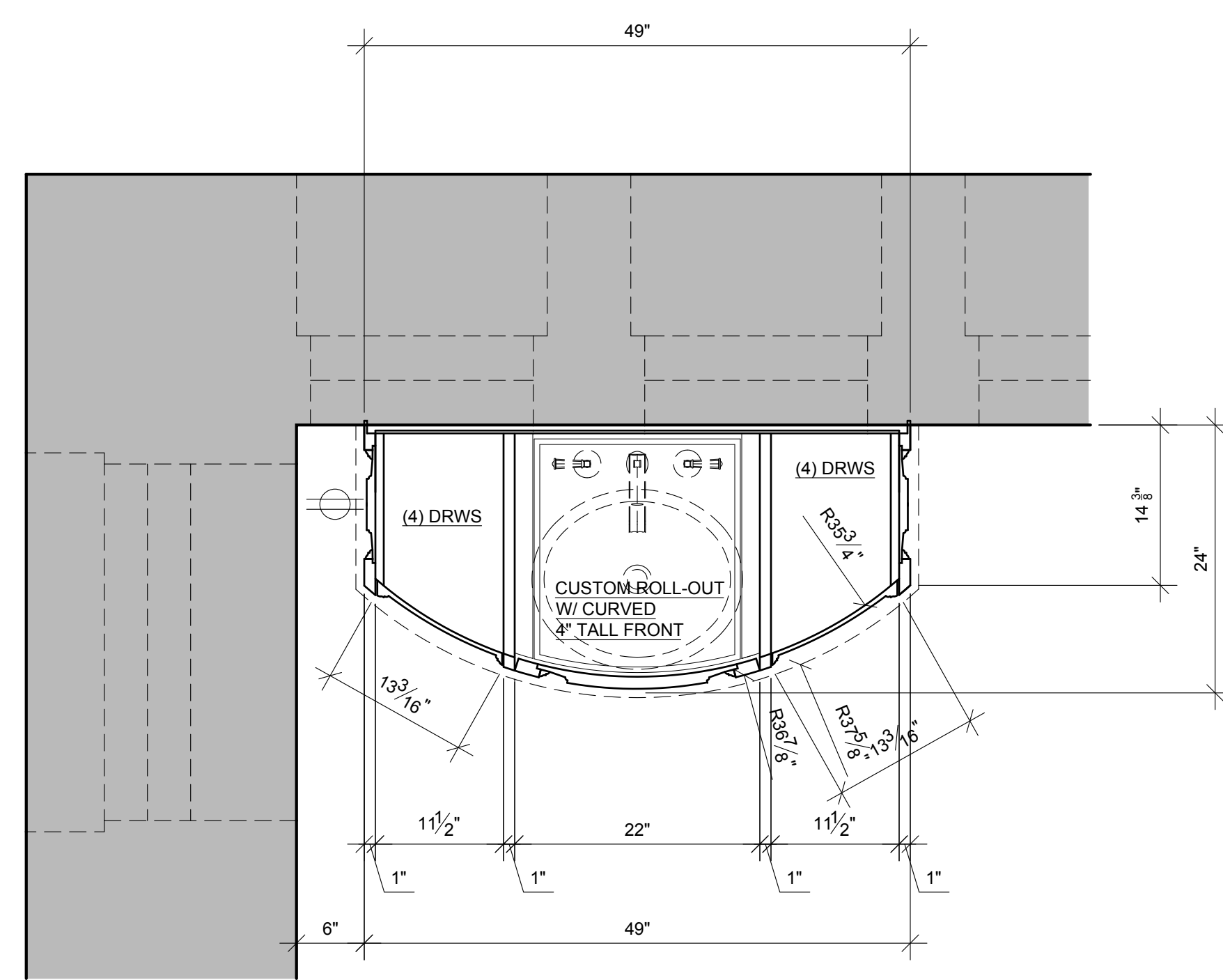


3420 SKILLMAN LANE, PETALUMA, CA 94952
ANDREW JACOBSON
DESIGN IN WOOD, INC

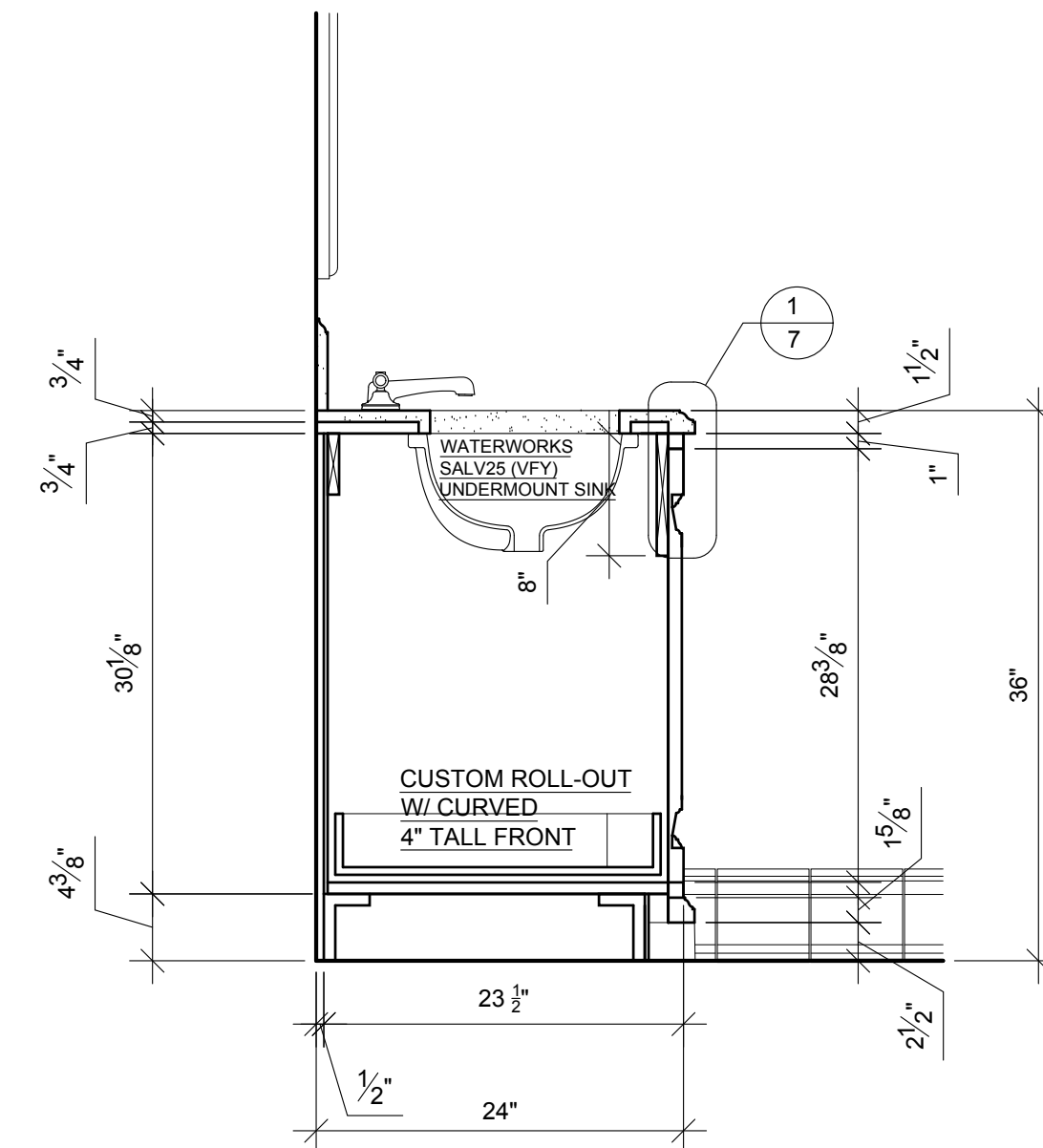
DATE: 05.14.19
SCALE: 1" = 1'-0"
DRAWN BY: PB
JOB: BATH 303
SHEET:



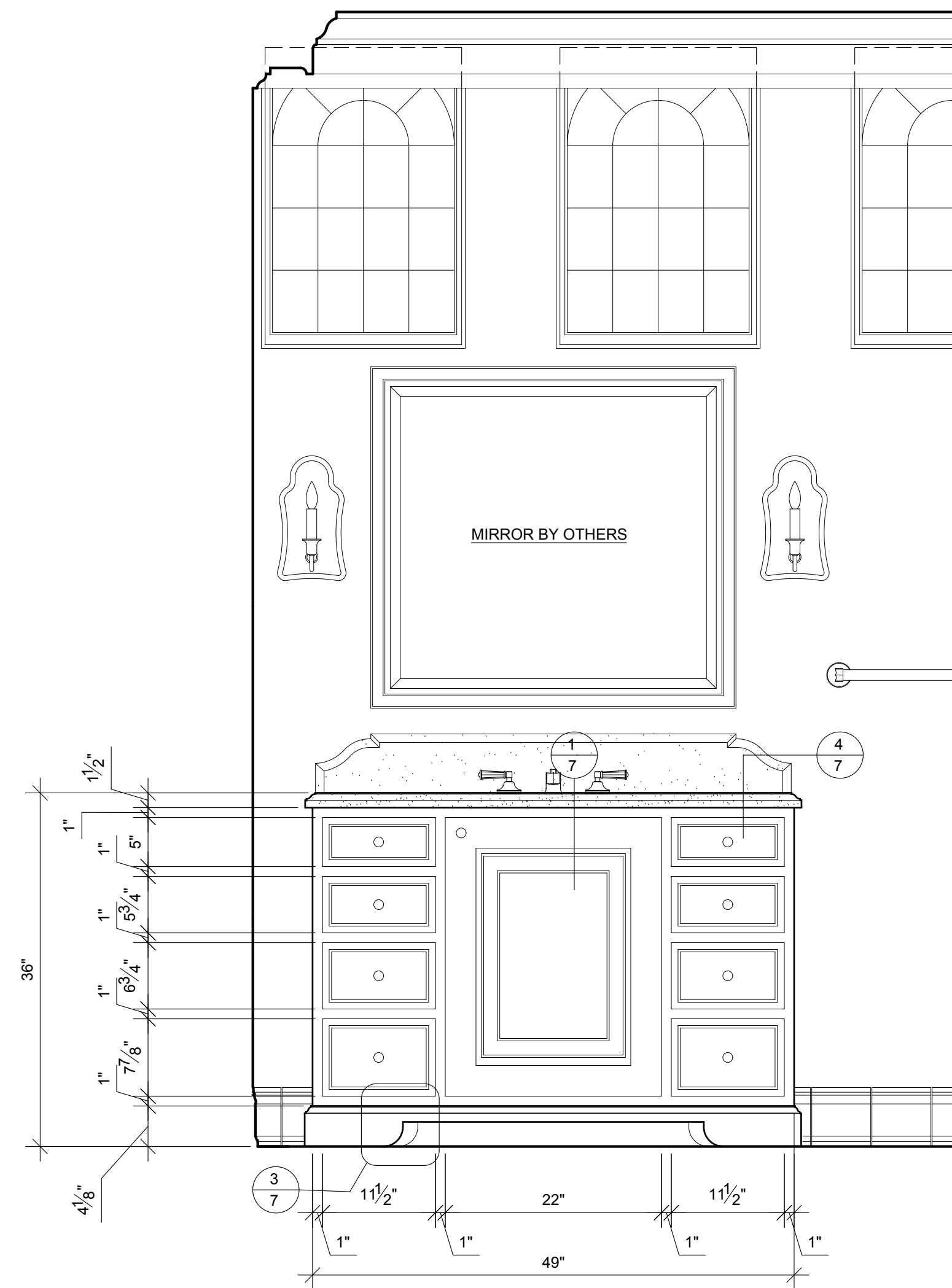
1 BATH 308 - PLAN VIEW
6 1" = 1'-0"



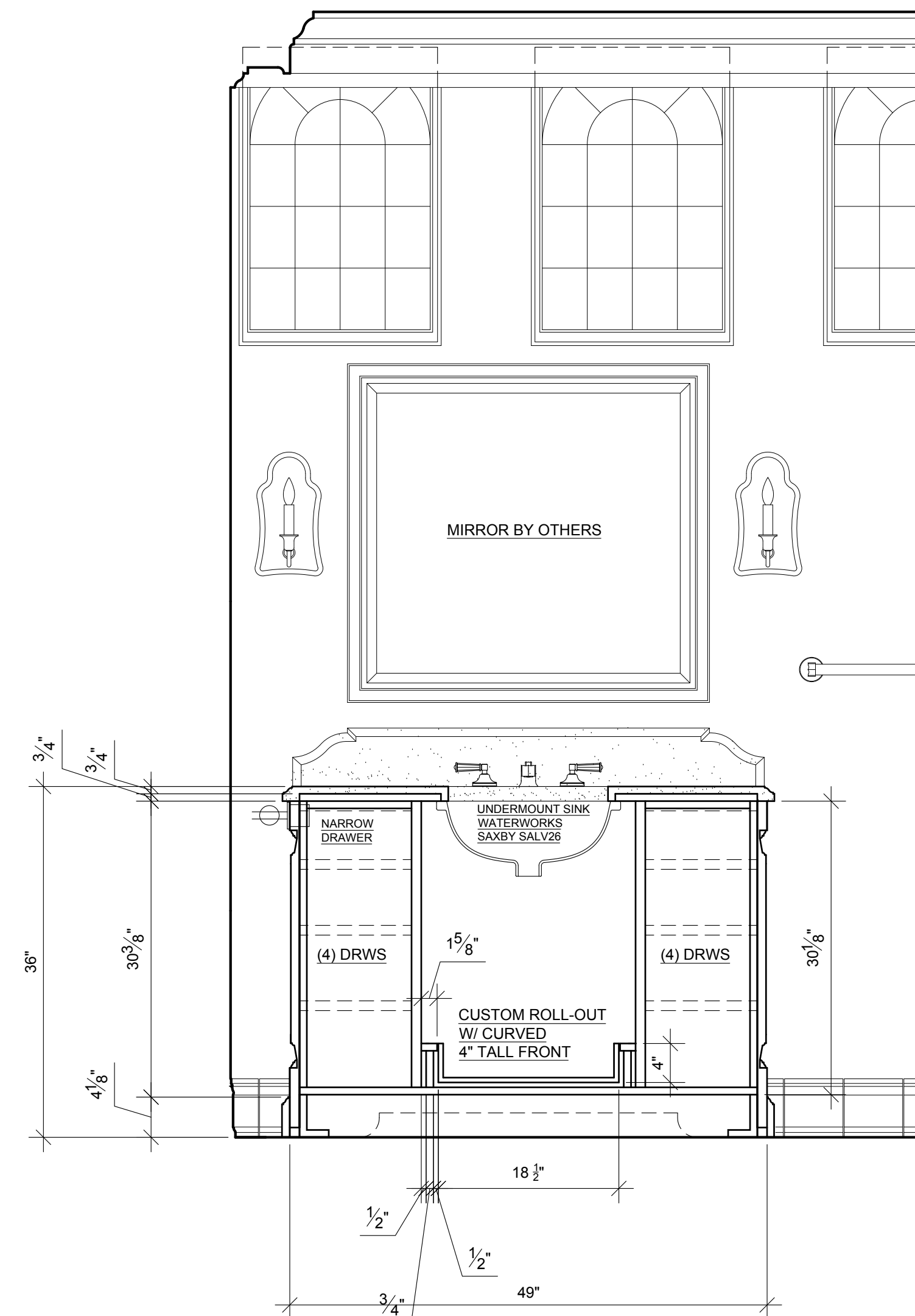
2 BATH 308 - PLAN SECTION
6 1" = 1'-0"



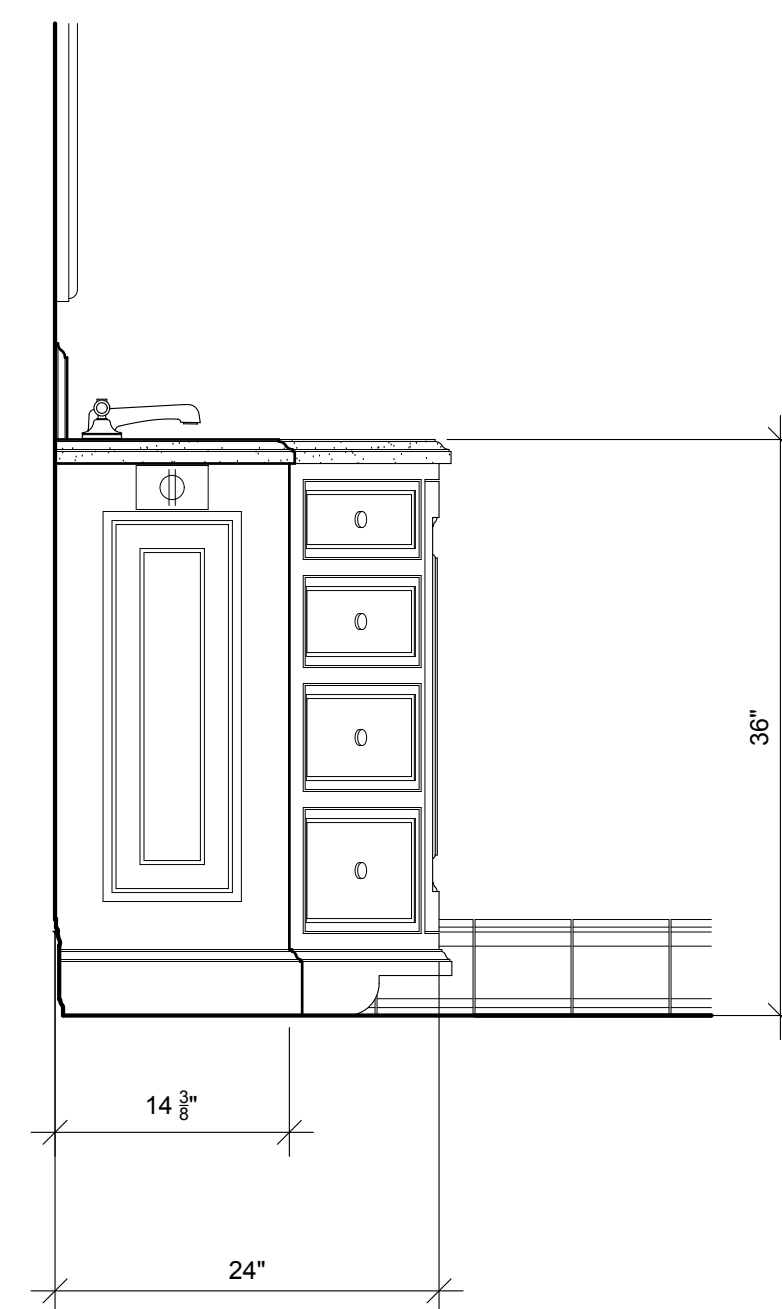
5 BATH 308 - SIDE SECTION
7 1" = 1'-0"



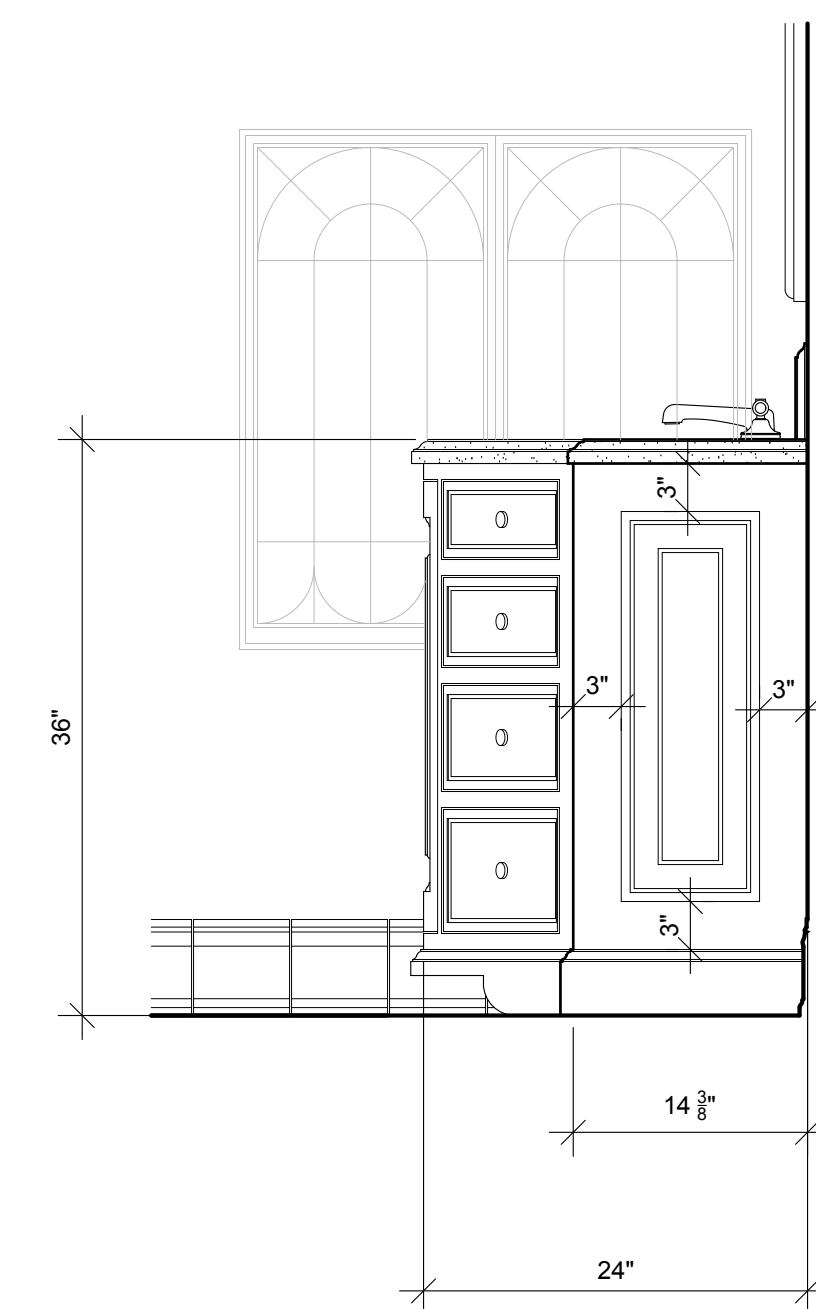
3 BATH 308 - FRONT ELEVATION
6 1" = 1'-0"



4 BATH 308 - FRONT SECTION
6 1" = 1'-0"



5 BATH 308 - SIDE ELEVATION
6 1" = 1'-0"



6 BATH 308 - SIDE ELEVATION
6 1" = 1'-0"

CONSTRUCTION NOTES:

- EXTERIOR WOOD SURFACES TO BE PREMIUM PAINT GRADE.
- JOB SITE APPLIED PAINTED FINISH BY OTHERS.
- INTERIOR SURFACES TO BE PRE-FINISHED MAPLE PLYWOOD UNLESS NOTED.
- BLUM 110 DEGREE HINGES W/ BLUMOTION SOFT CLOSE FEATURE
- 1/2" DOOR REVEALS TYP
- DOOR PULL TBD, SUPPLIED BY CLIENT.
- STONE COUNTER TOPS BY OTHERS.
- 5/8" OR 3/4" PLYWOOD SUB TOPS BY DIW.
- CONTRACTOR IS RESPONSIBLE FOR COORDINATING CASEWORK INSTALLATION W/ ALL RELATED TRADES.

REVISIONS	BY
07.01.2019	PB

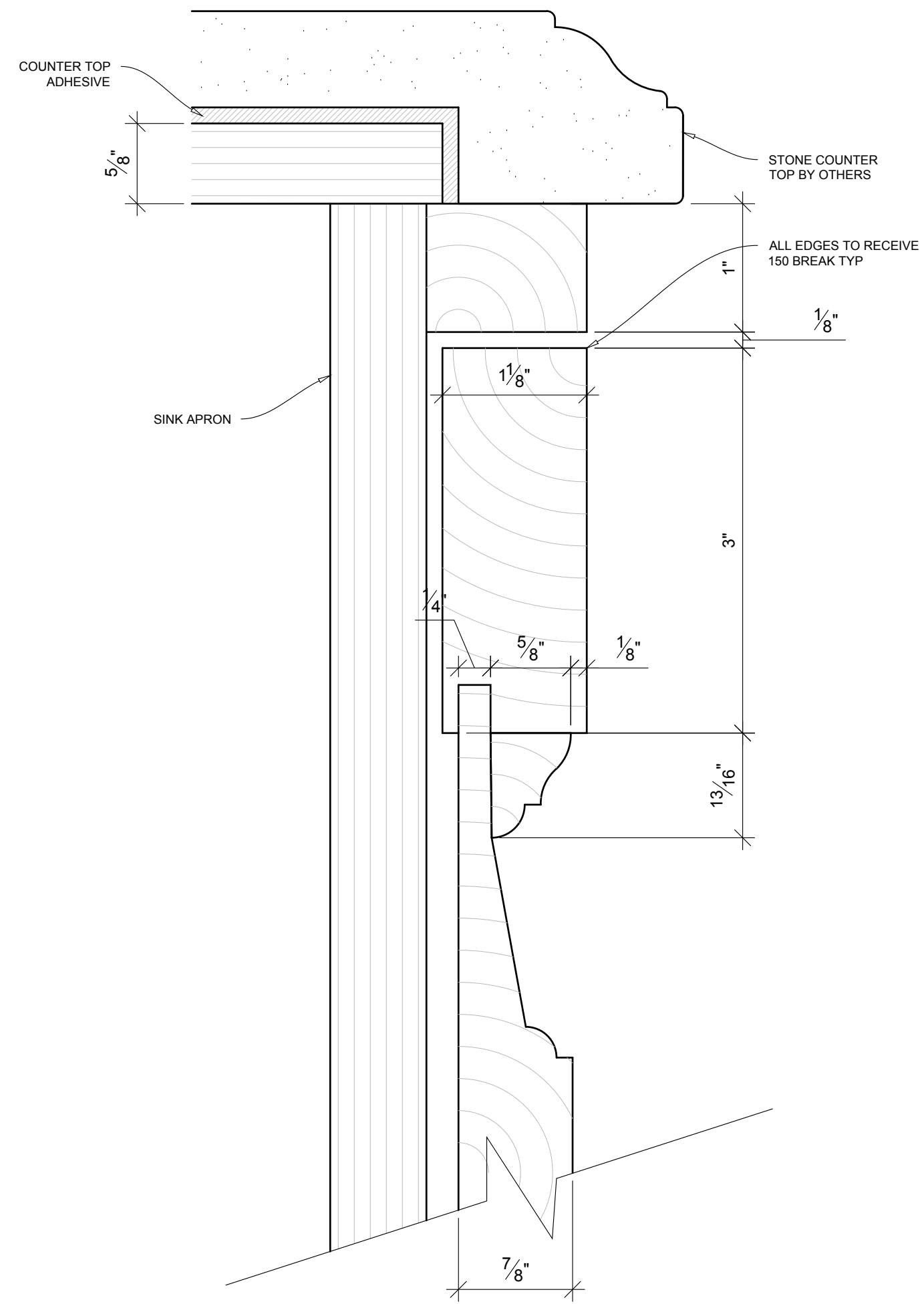
PRIVATE RESIDENCE
ALPINE ROAD, PORTOLA VALLEY, CA 94028

PHONE (707) 765-9885 FAX (707) 765-8563
DESIGNINWOODINC.COM

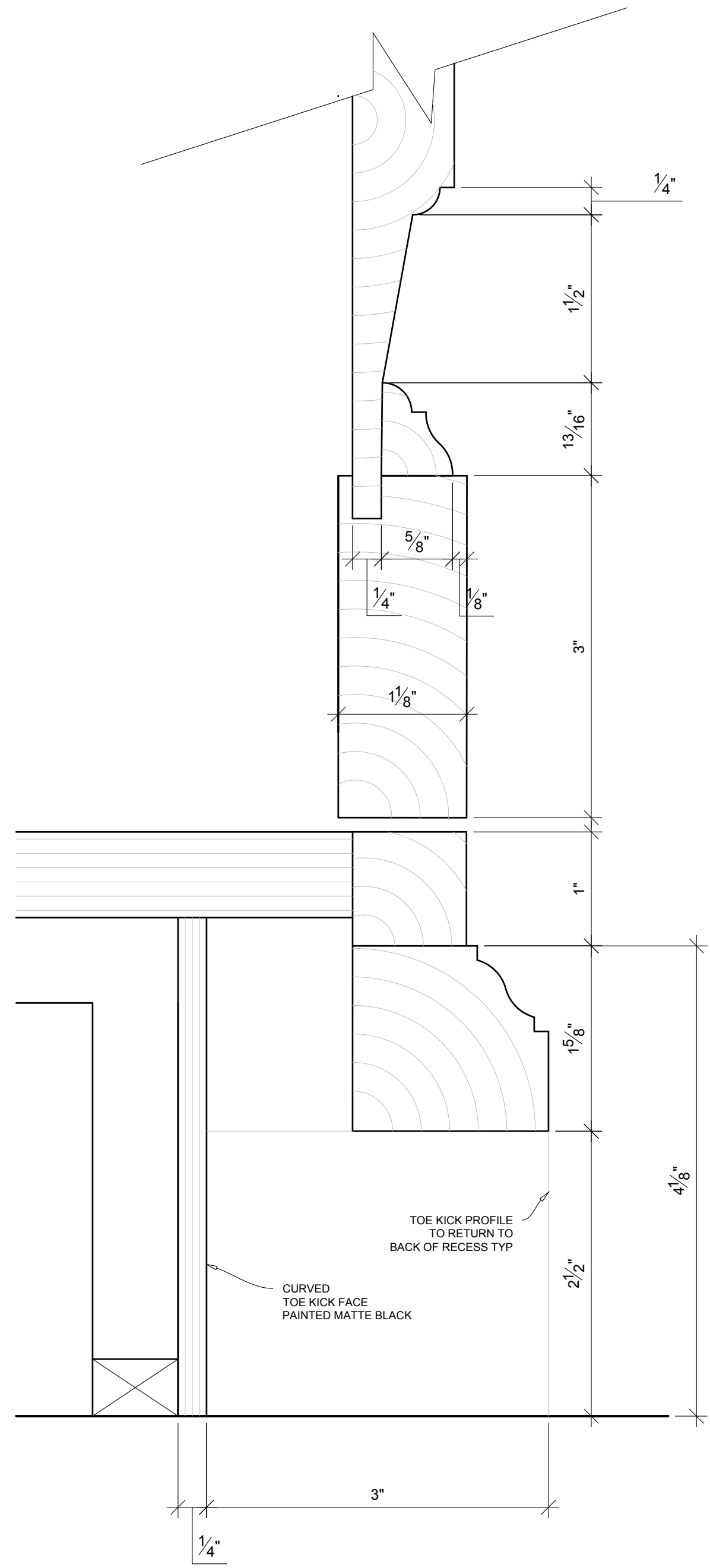


3420 SKILLMAN LANE, PETALUMA, CA 94952
ANDREW JACOBSON
DESIGN IN WOOD, INC

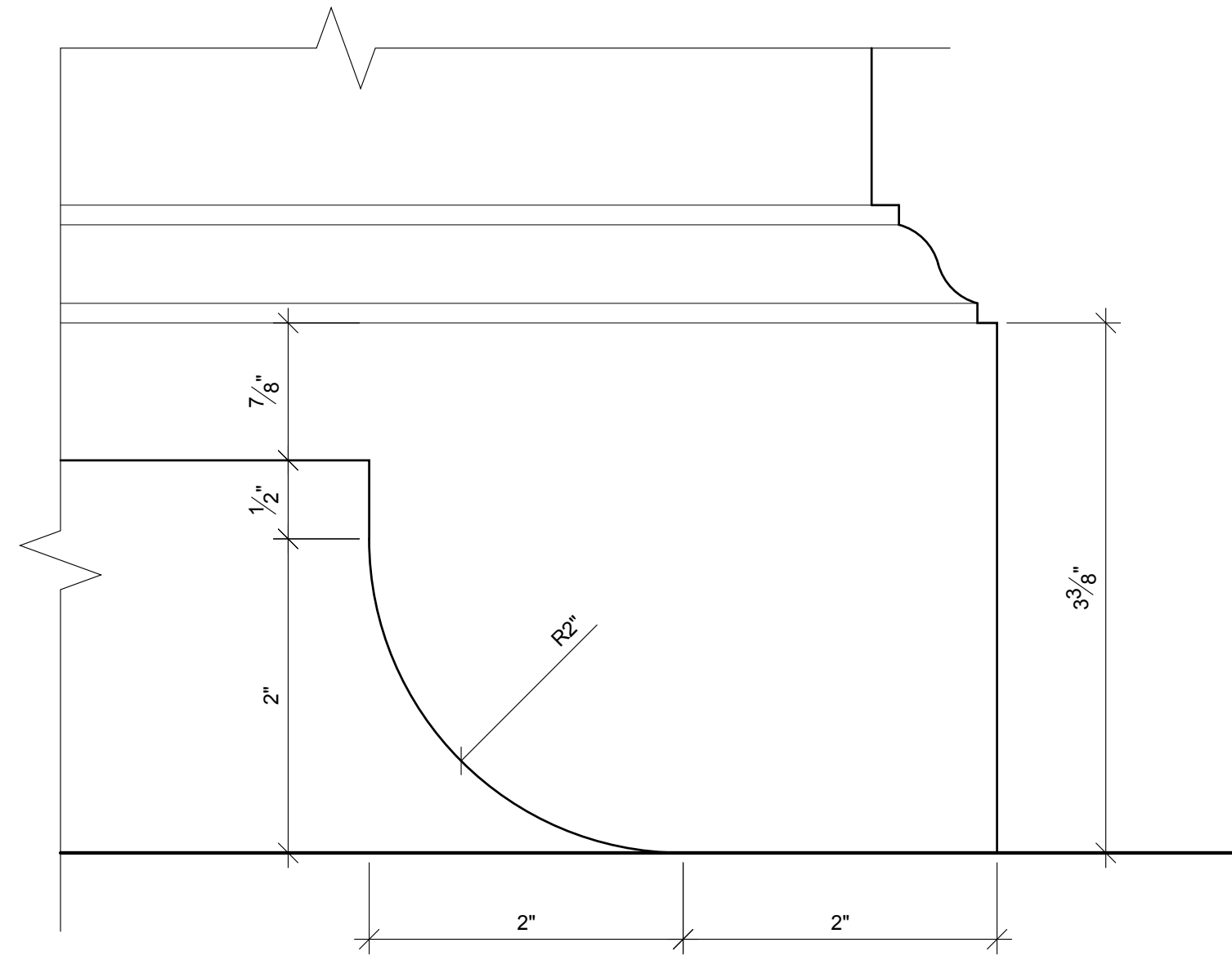
DATE: 05.14.19
SCALE: 1" = 1'-0"
DRAWN BY: PB
JOB: BATH 308
SHEET:



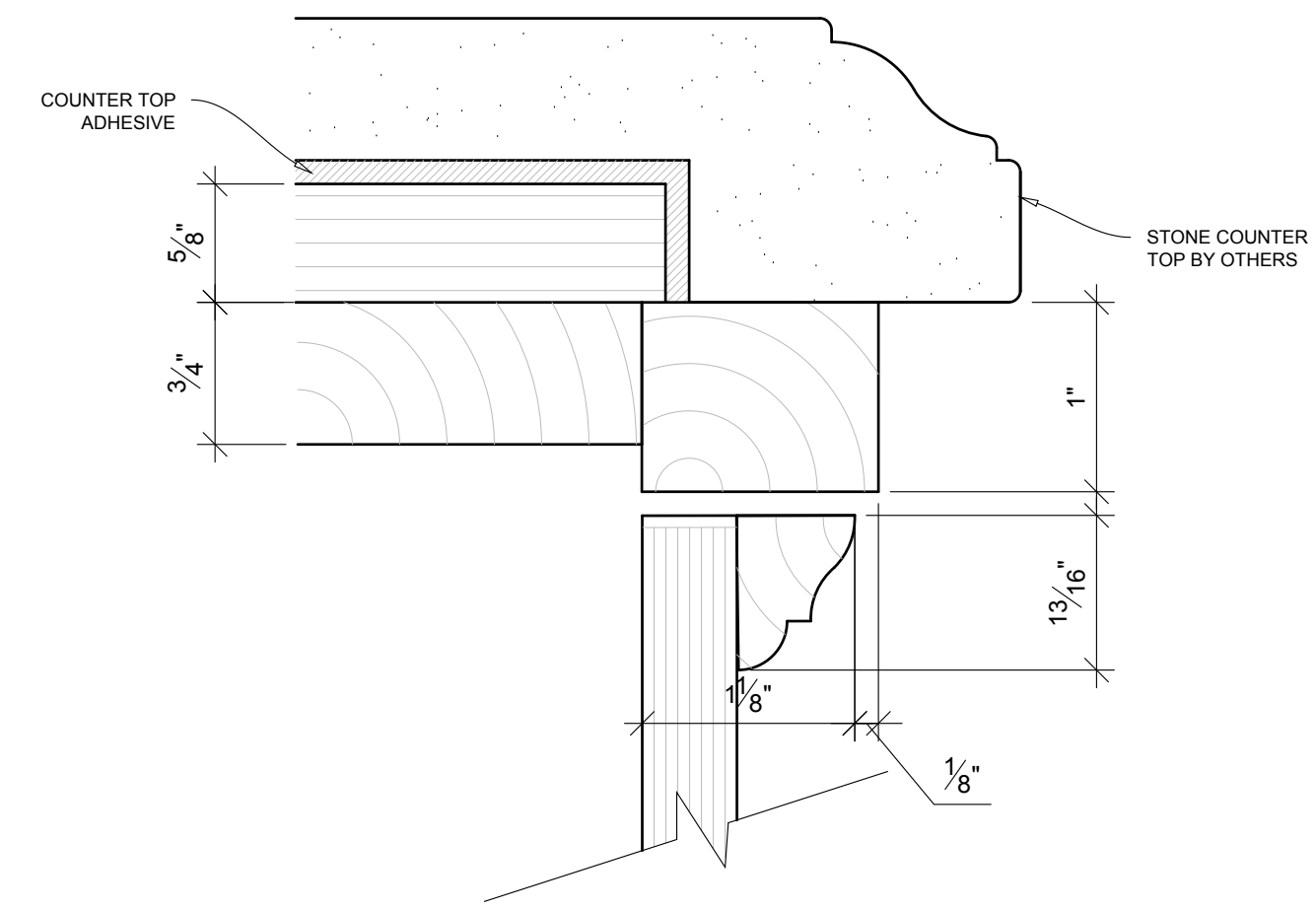
1 BATH 308 - DETAIL AT COUNTER TOP
7 FULL SCALE



2 BATH 308 - DETAIL SECTION AT BASE
7 FULL SCALE



3 BATH 308 - DETAIL AT BASE FRONT
7 FULL SCALE

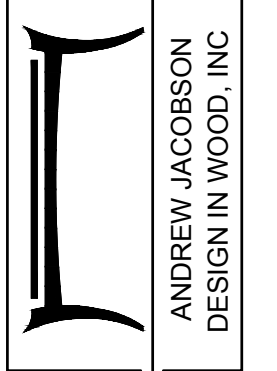


4 BATH 308 - DETAIL AT COUNTER TOP 2
7 FULL SCALE

REVISIONS	BY
07.01.2019	PB

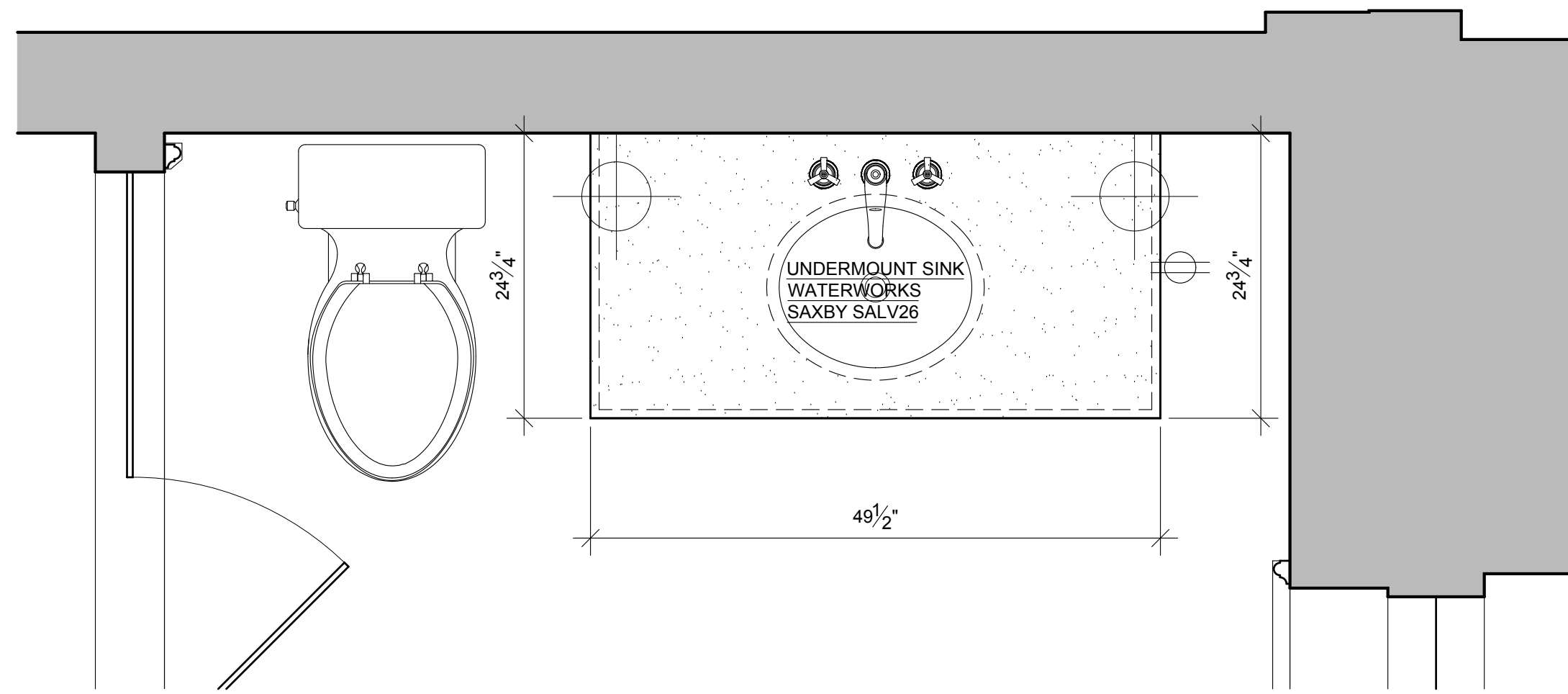
PRIVATE RESIDENCE
ALPINE ROAD, PORTOLA VALLEY, CA 94028

PHONE (707) 765-9885 FAX (707) 765-8563
DESIGNINWOODINC.COM

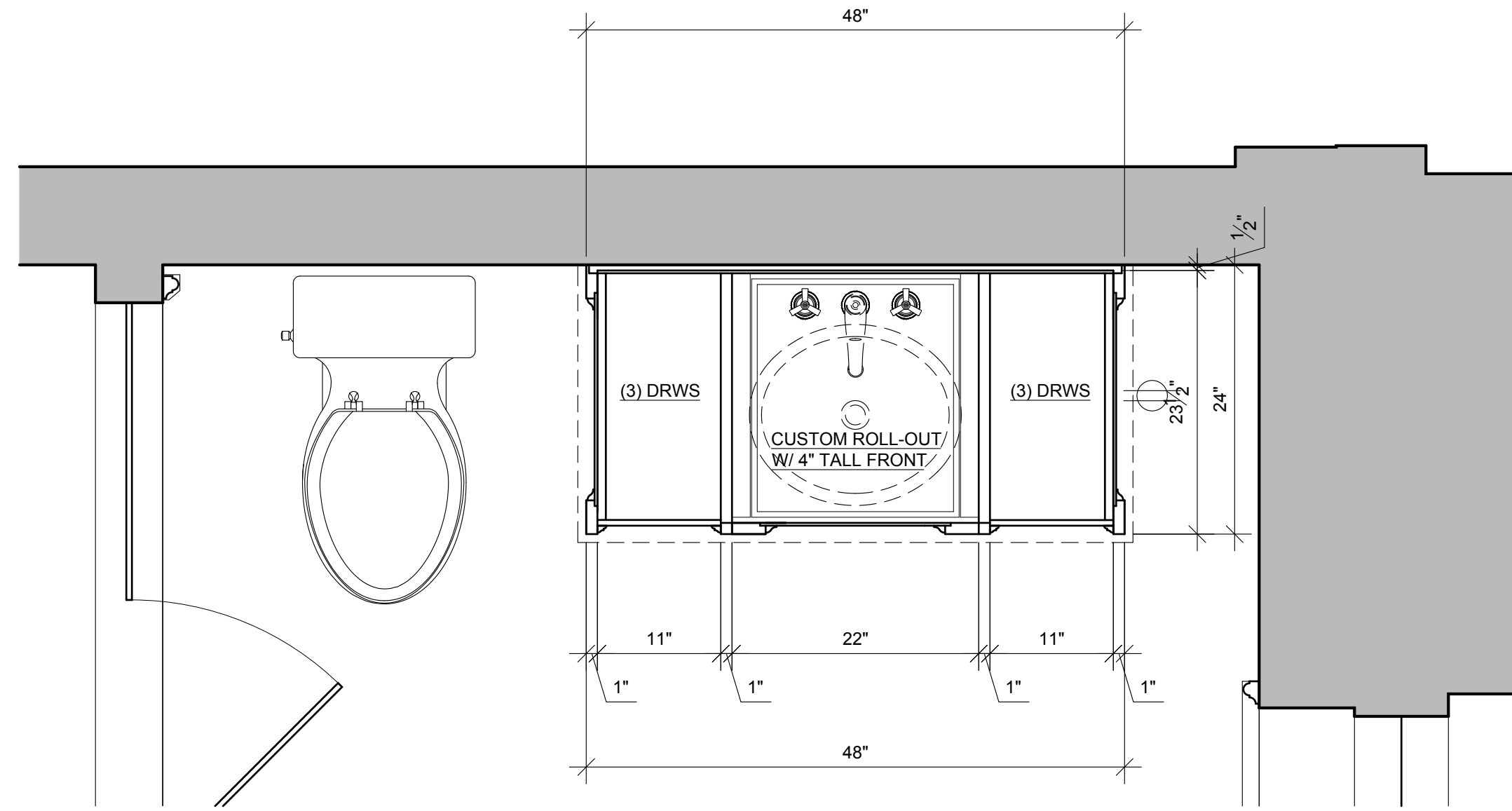


3420 SKILLMAN LANE, PETALUMA, CA 94952
ANDREW JACOBSON
DESIGN IN WOOD, INC

DATE: 05.14.19
SCALE: 1" = 1'-0"
DRAWN BY: PB
JOB: BATH 308
SHEET:



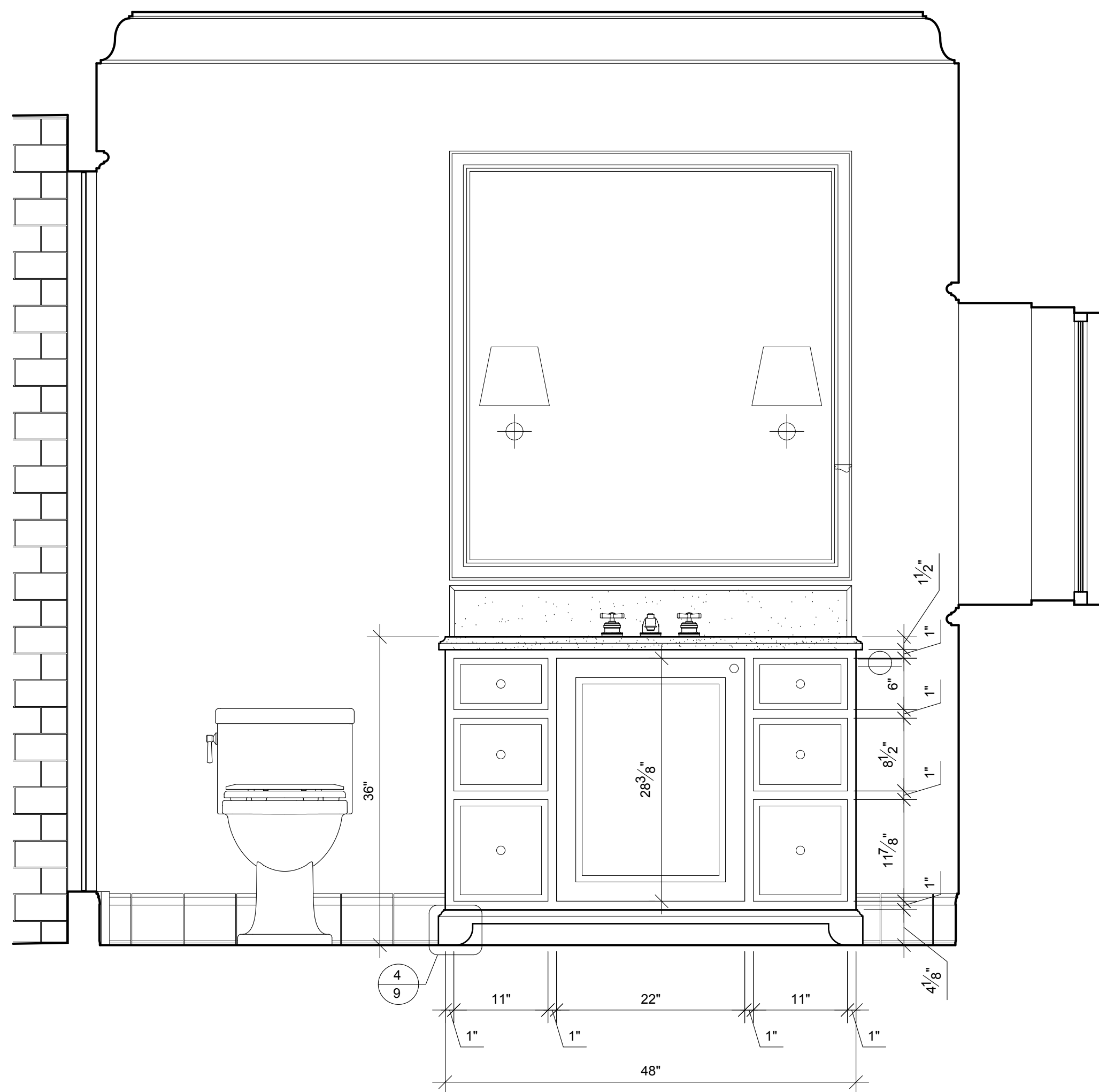
1 BATH 314 - PLAN VIEW
8 1" = 1'-0"



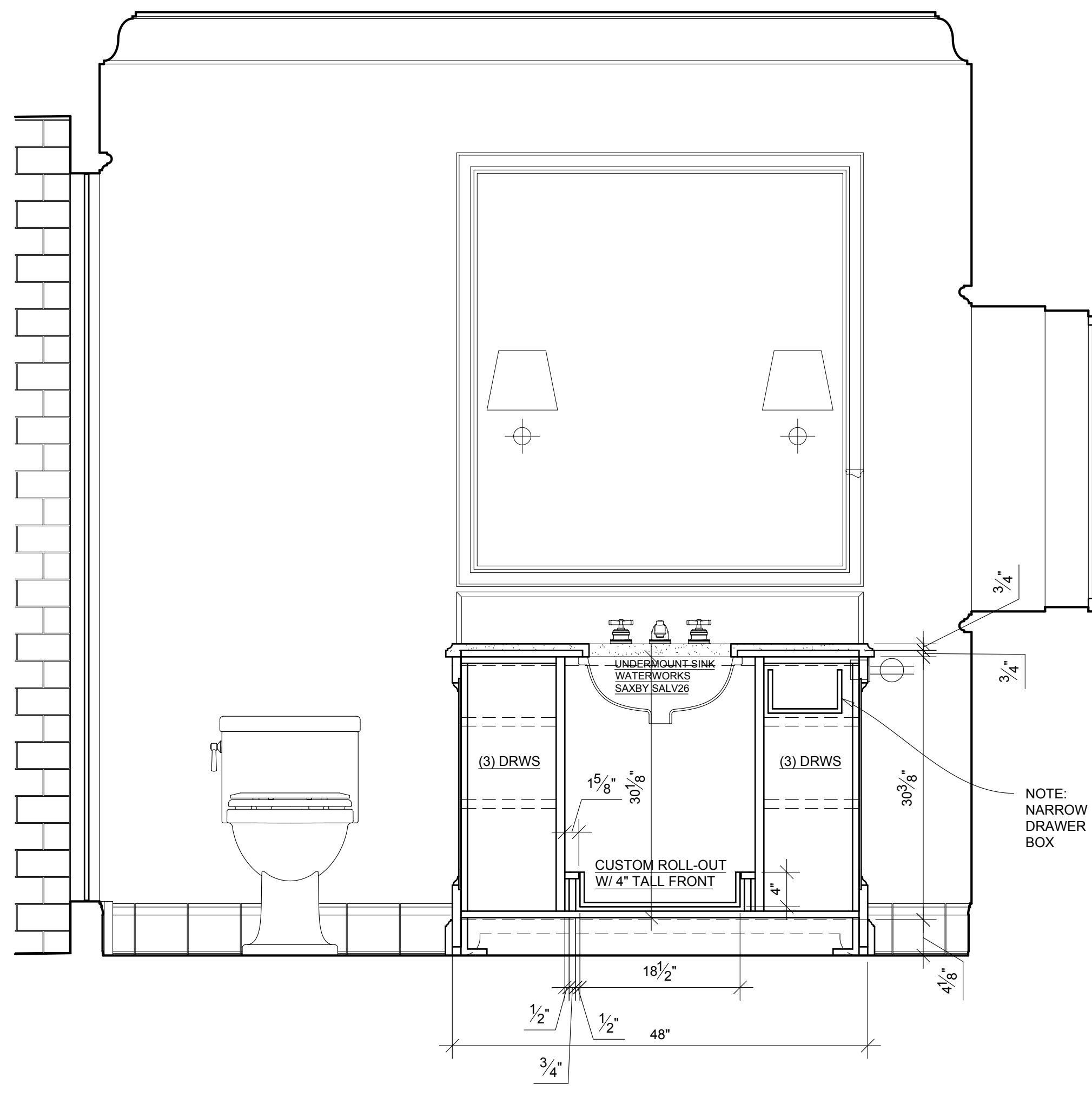
2 BATH 314 - PLAN SECTION
8 1" = 1'-0"

CONSTRUCTION NOTES:

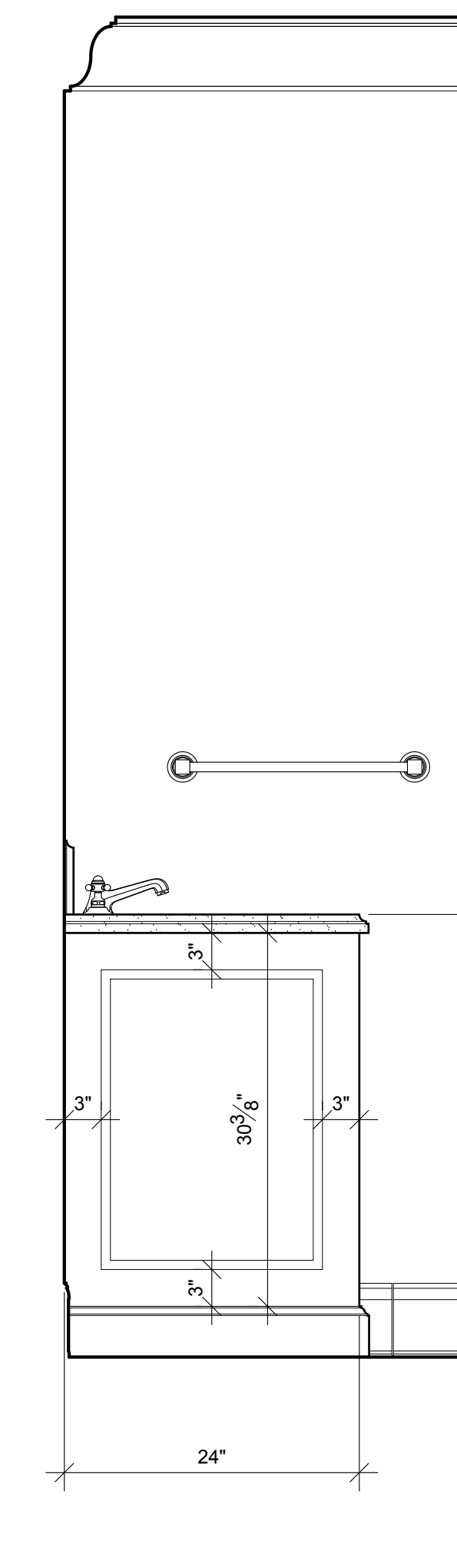
- EXTERIOR WOOD SURFACES TO BE PREMIUM PAINT GRADE.
- JOB SITE APPLIED PAINTED FINISH BY OTHERS.
- INTERIOR SURFACES TO BE PRE-FINISHED MAPLE PLYWOOD UNLESS NOTED.
- BLUM 110 DEGREE HINGES W/ BLUMOTION SOFT CLOSE FEATURE
- 3/4" DOOR REVEALS TYP.
- DOOR PULL TBD, SUPPLIED BY CLIENT.
- STONE COUNTER TOPS BY OTHERS.
- 5/8" OR 3/4" PLYWOOD SUB TOPS BY DIW.
- CONTRACTOR IS RESPONSIBLE FOR COORDINATING CASEWORK INSTALLATION W/ ALL RELATED TRADES.



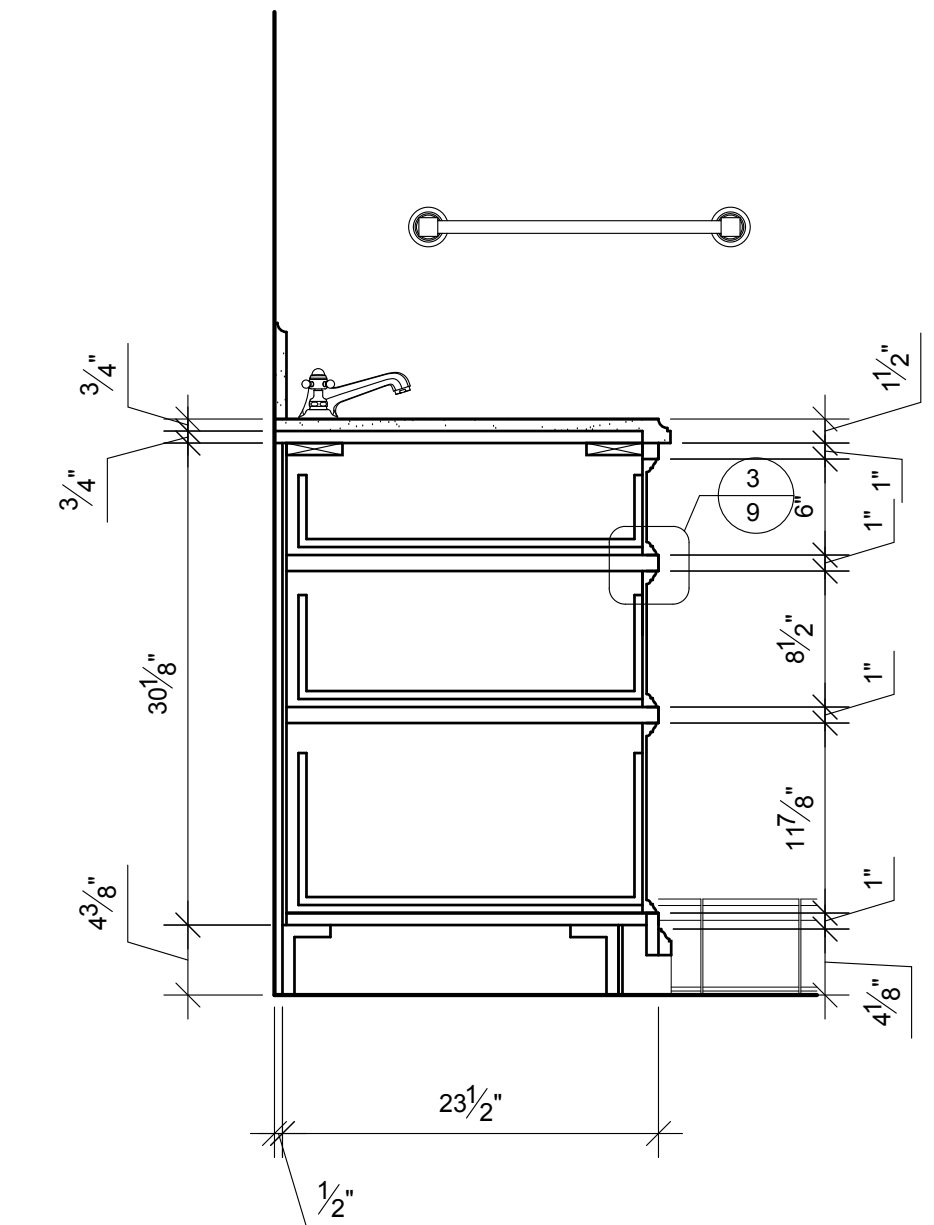
3 BATH 314 - FRONT ELEVATION
8 1" = 1'-0"



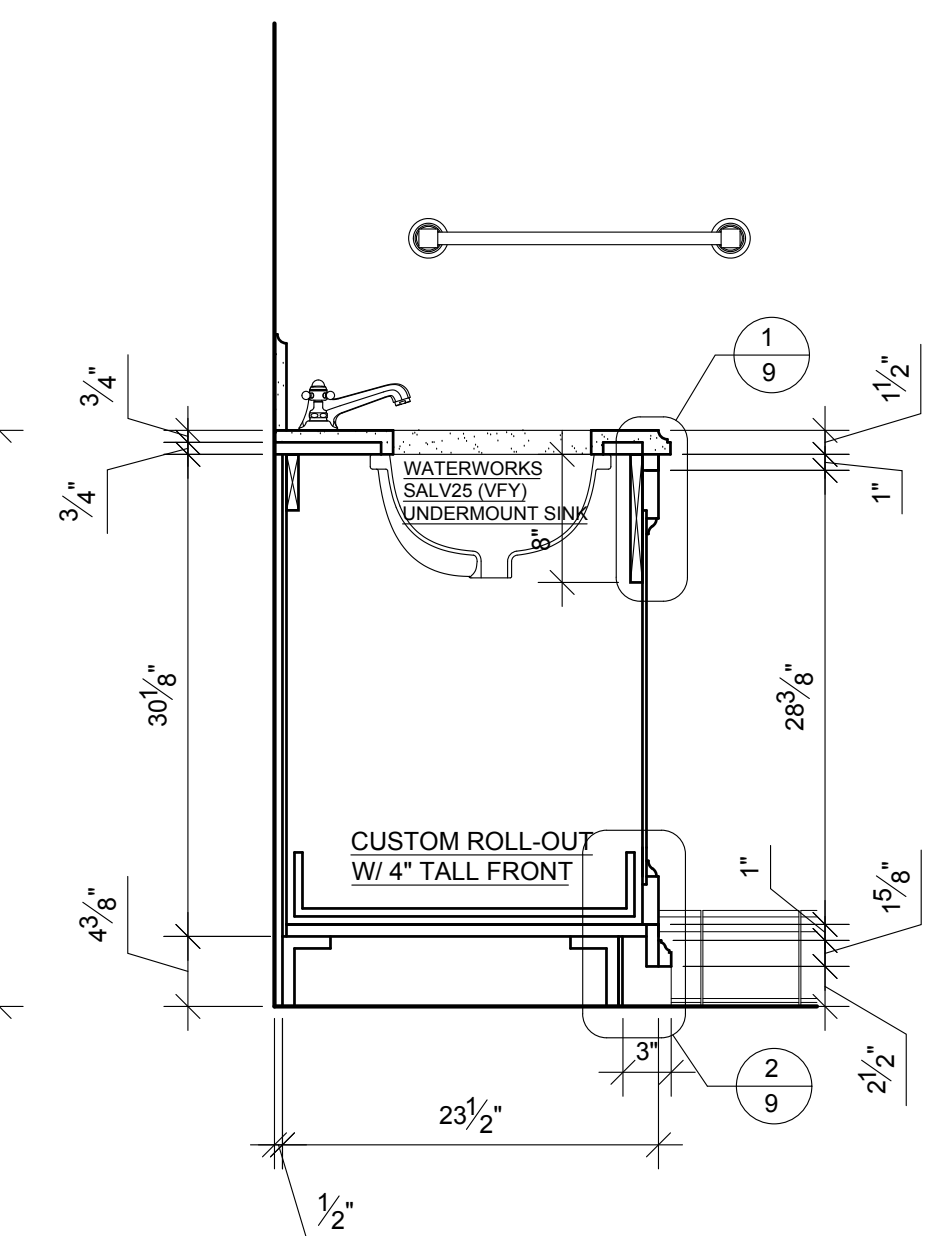
4 BATH 314 - FRONT SECTION
8 1" = 1'-0"



5 BATH 314 - SIDE ELEVATION
8 1" = 1'-0"



7 BATH 314 - SIDE SECTION @ DRWS
8 1" = 1'-0"



6 BATH 314 - SIDE SECTION @ SINK
8 1" = 1'-0"

REVISIONS	BY
07.01.2019	PB

PRIVATE RESIDENCE
ALPINE ROAD, PORTOLA VALLEY, CA 94028

PHONE (707) 765-9885 FAX (707) 765-8563
DESIGNINWOODINC.COM



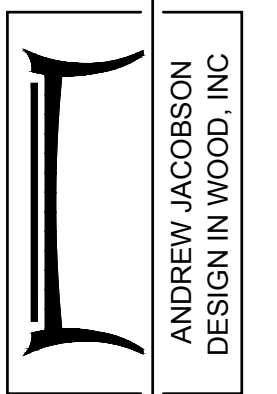
3420 SKILLMAN LANE, PETALUMA, CA 94952
ANDREW JACOBSON
DESIGN IN WOOD, INC

DATE: 05.14.19
SCALE: 1" = 1'-0"
DRAWN BY: PB
JOB: BATH 314
SHEET:

REVISIONS	BY
07.01.2019	PB

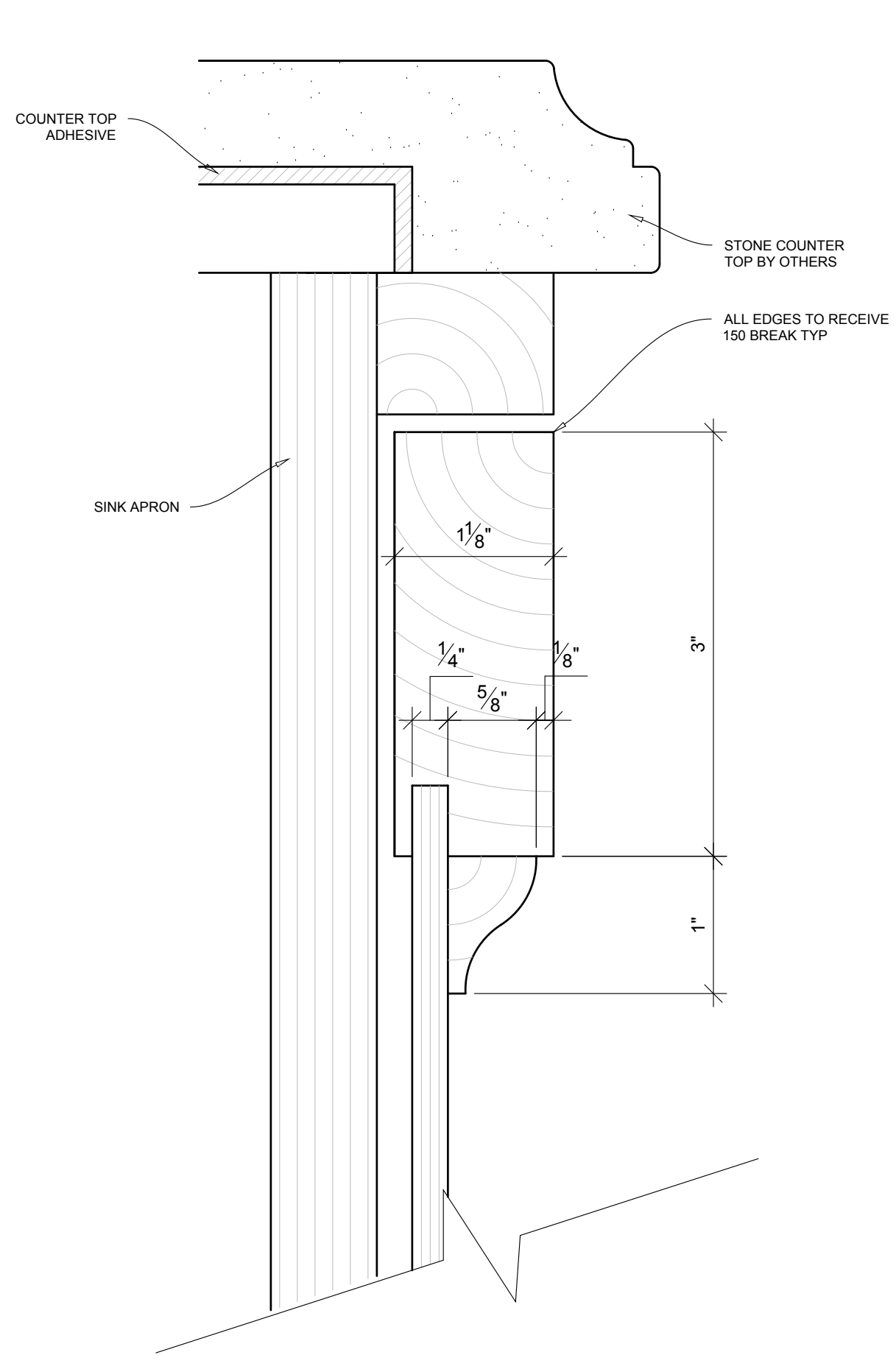
PRIVATE RESIDENCE
ALPINE ROAD, PORTOLA VALLEY, CA 94028

PHONE (707) 765-9885 FAX (707) 765-8563
DESIGNINWOODINC.COM

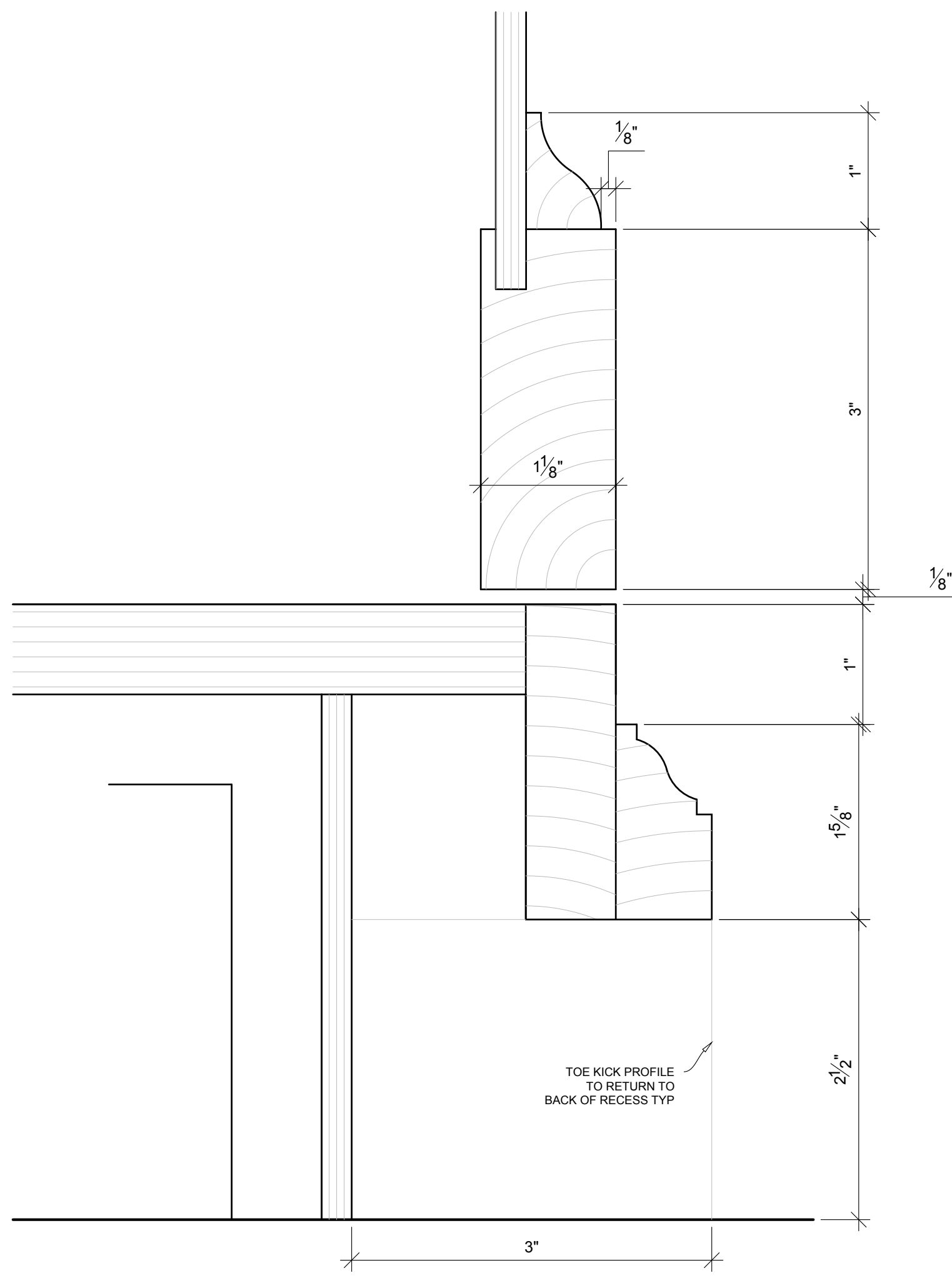


3420 SKILLMAN LANE, PETALUMA, CA 94952
ANDREW JACOBSON
DESIGN IN WOOD, INC

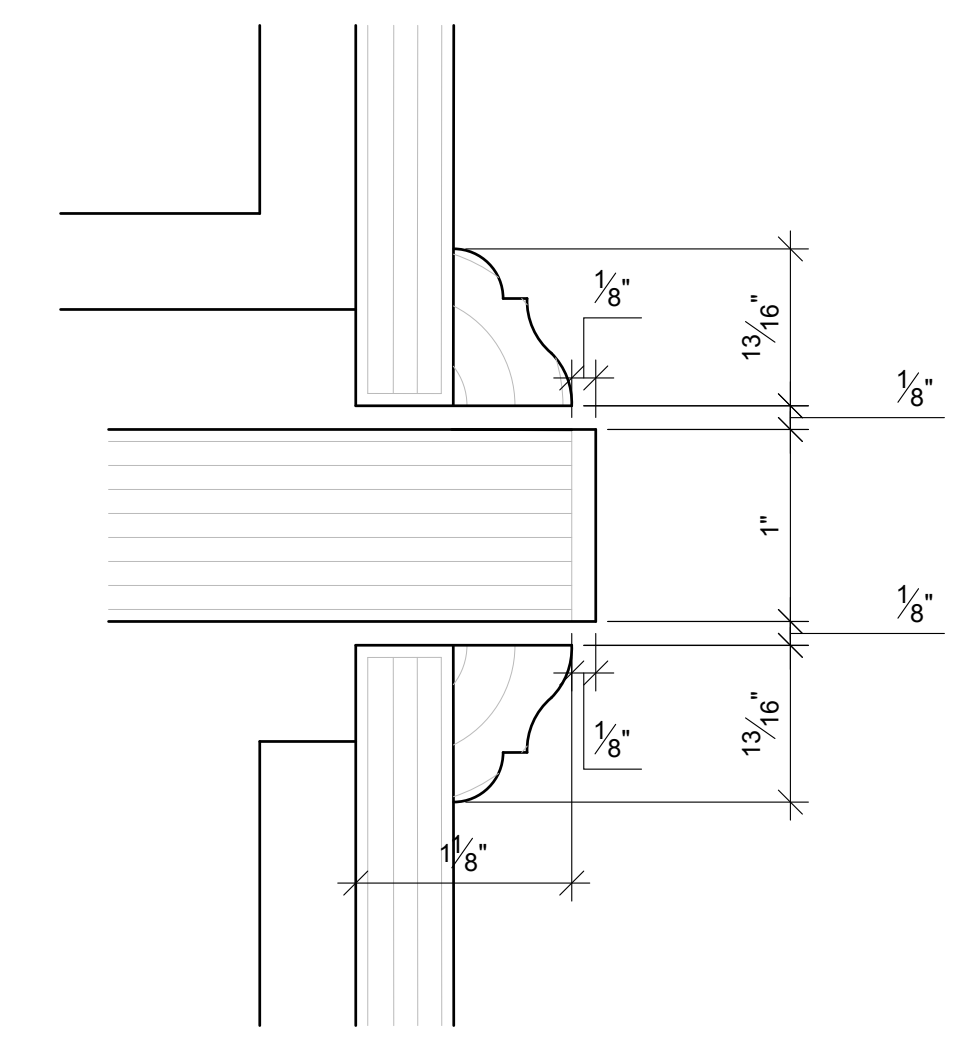
DATE: 05.14.19
SCALE: 1" = 1'-0"
DRAWN BY: PB
JOB: BATH 314
SHEET:



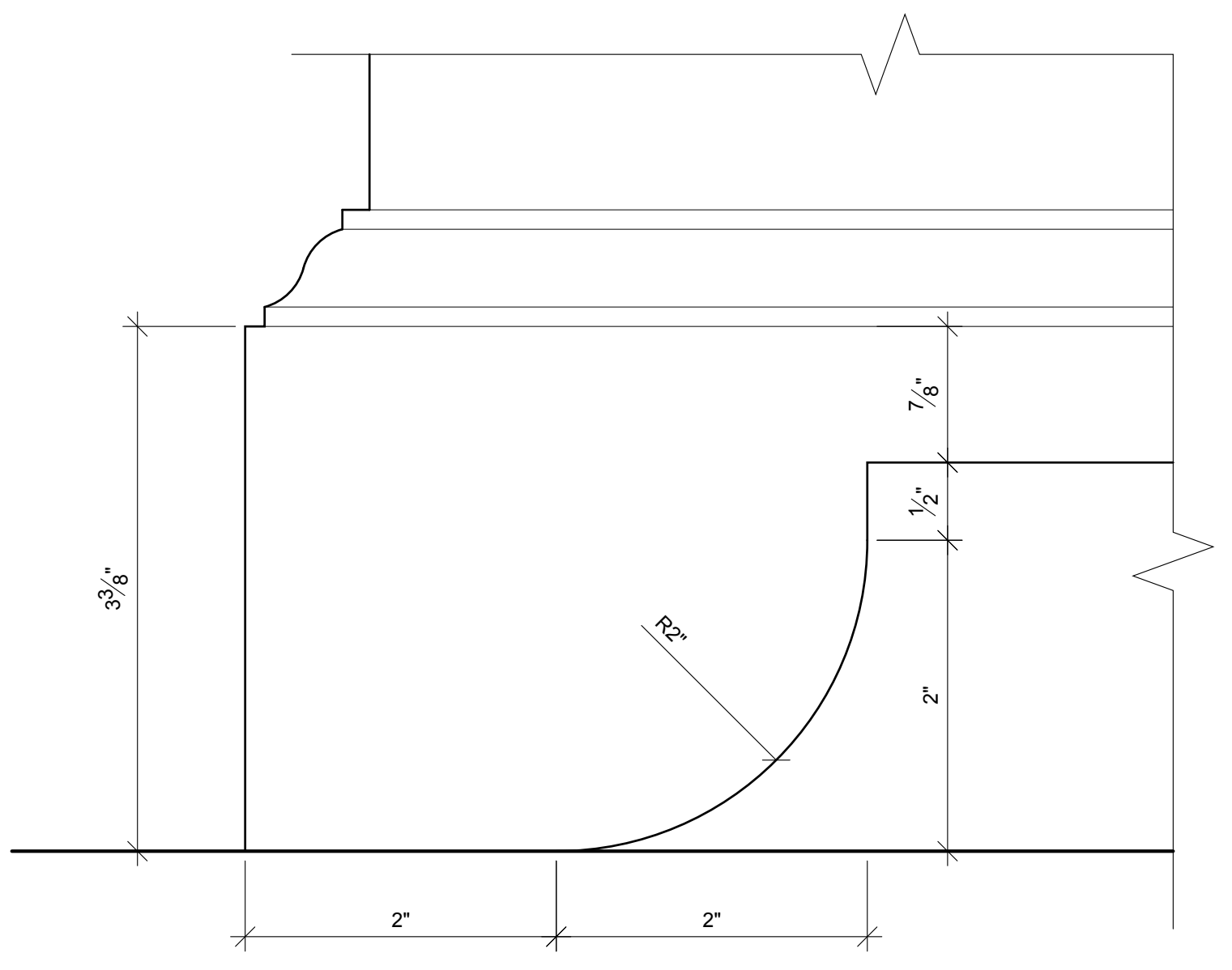
1 BATH 314 - DETAIL AT COUNTER TOP
9 FULL SCALE



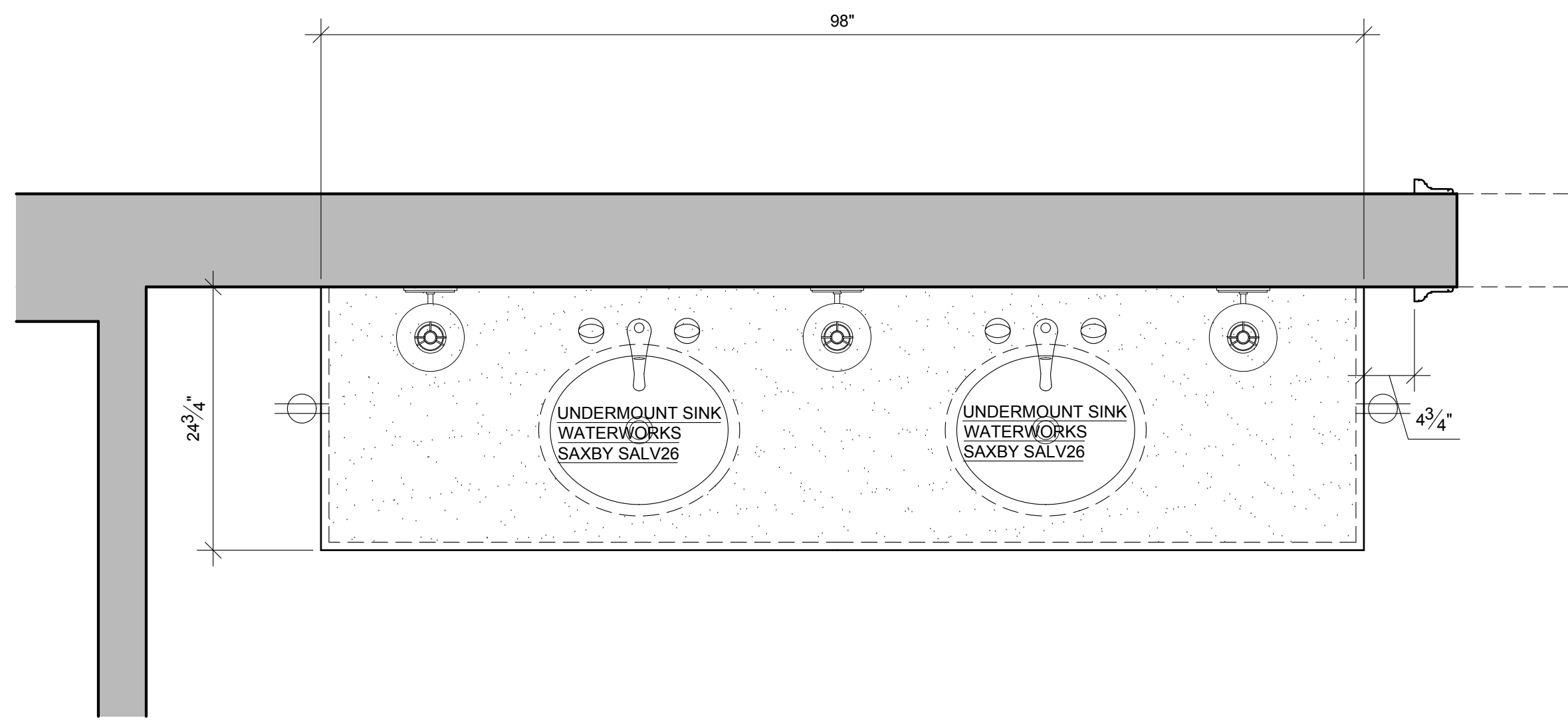
2 BATH 314 - DETAIL AT BASE
9 FULL SCALE



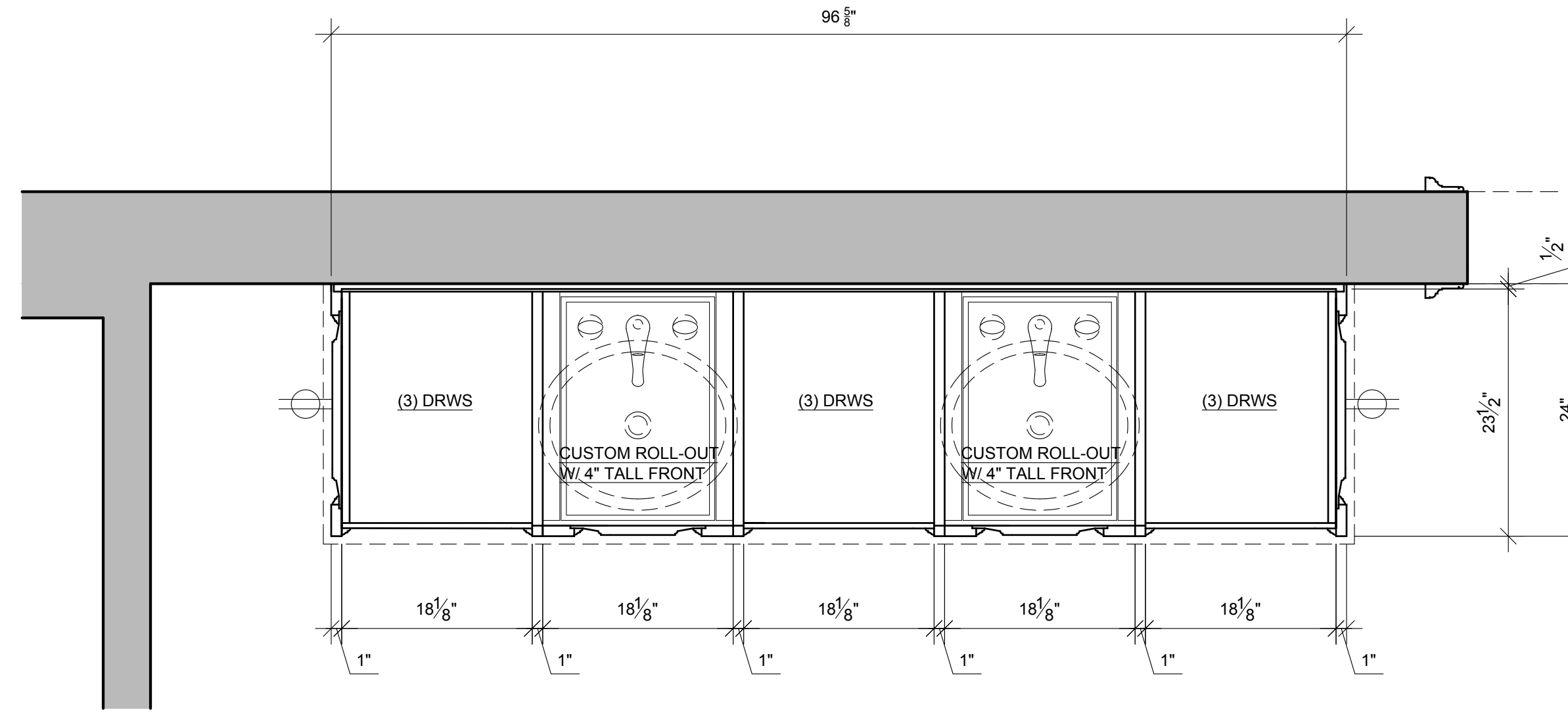
3 BATH 314 - DETAIL AT DRAWERS
9 FULL SCALE



4 BATH 314 - DETAIL AT BASE FRONT
9 FULL SCALE



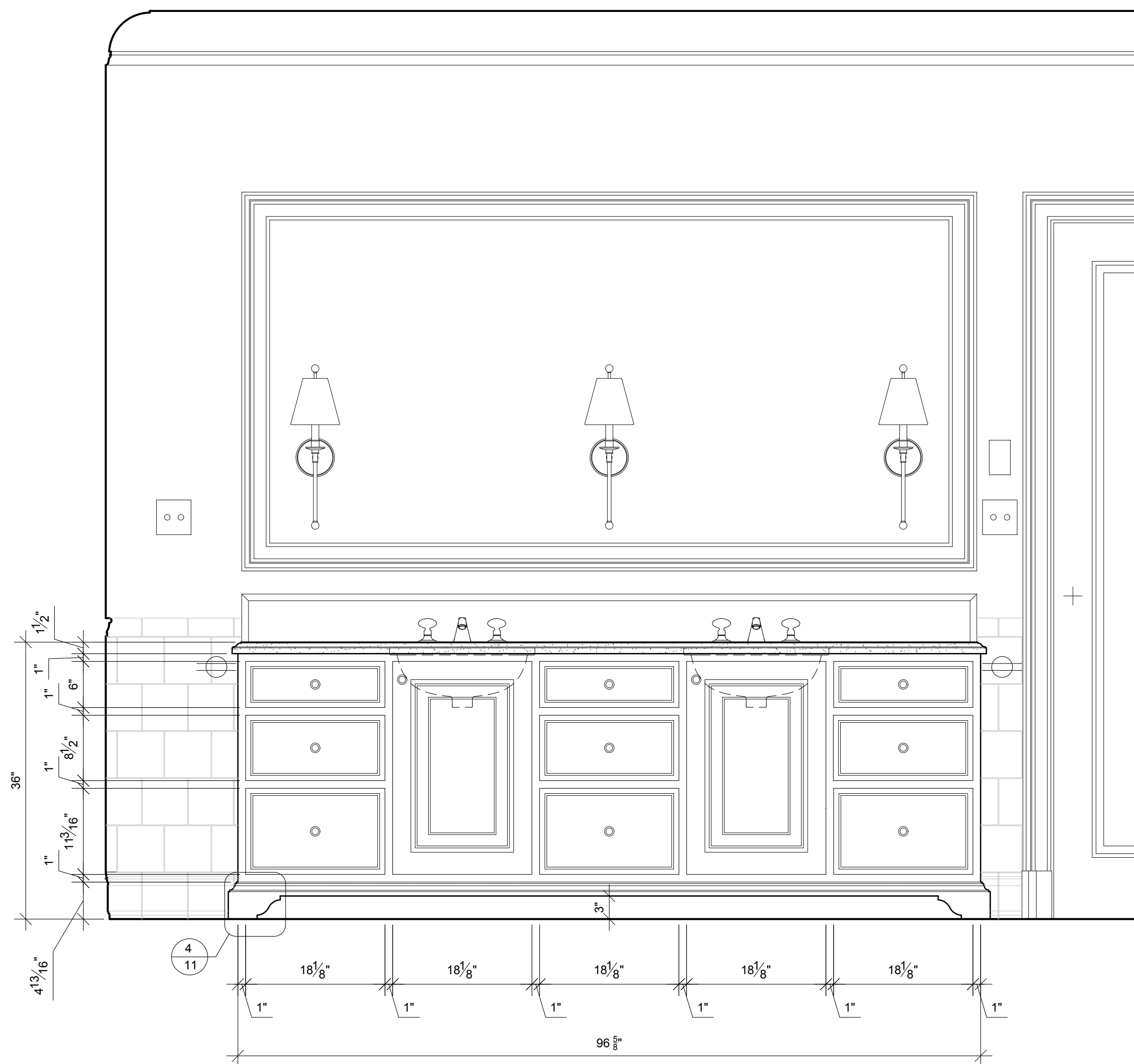
1 BATH 317 - PLAN VIEW
10 1" = 1'-0"



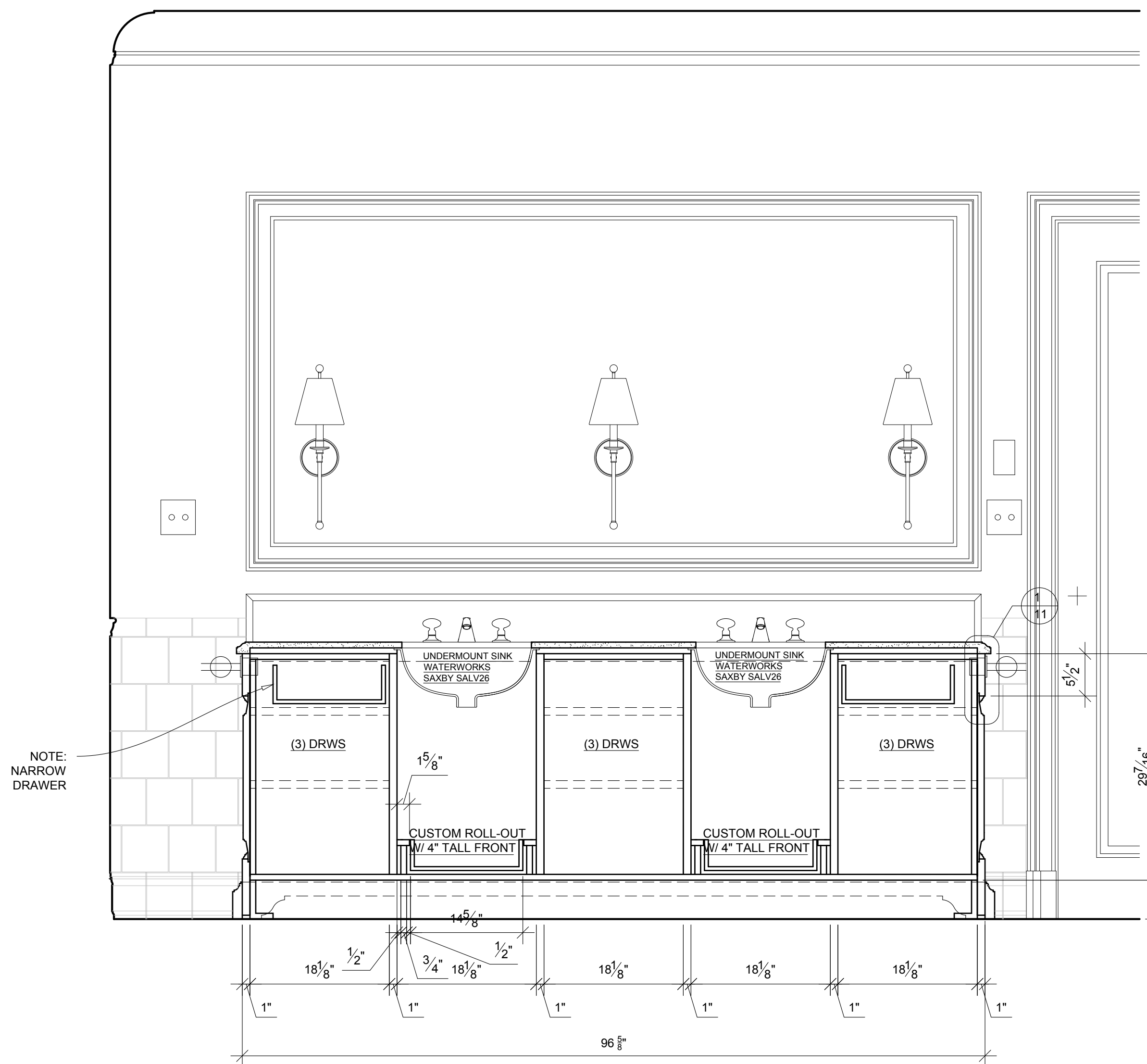
2 BATH 317 - PLAN SECTION
10 1" = 1'-0"

CONSTRUCTION NOTES:

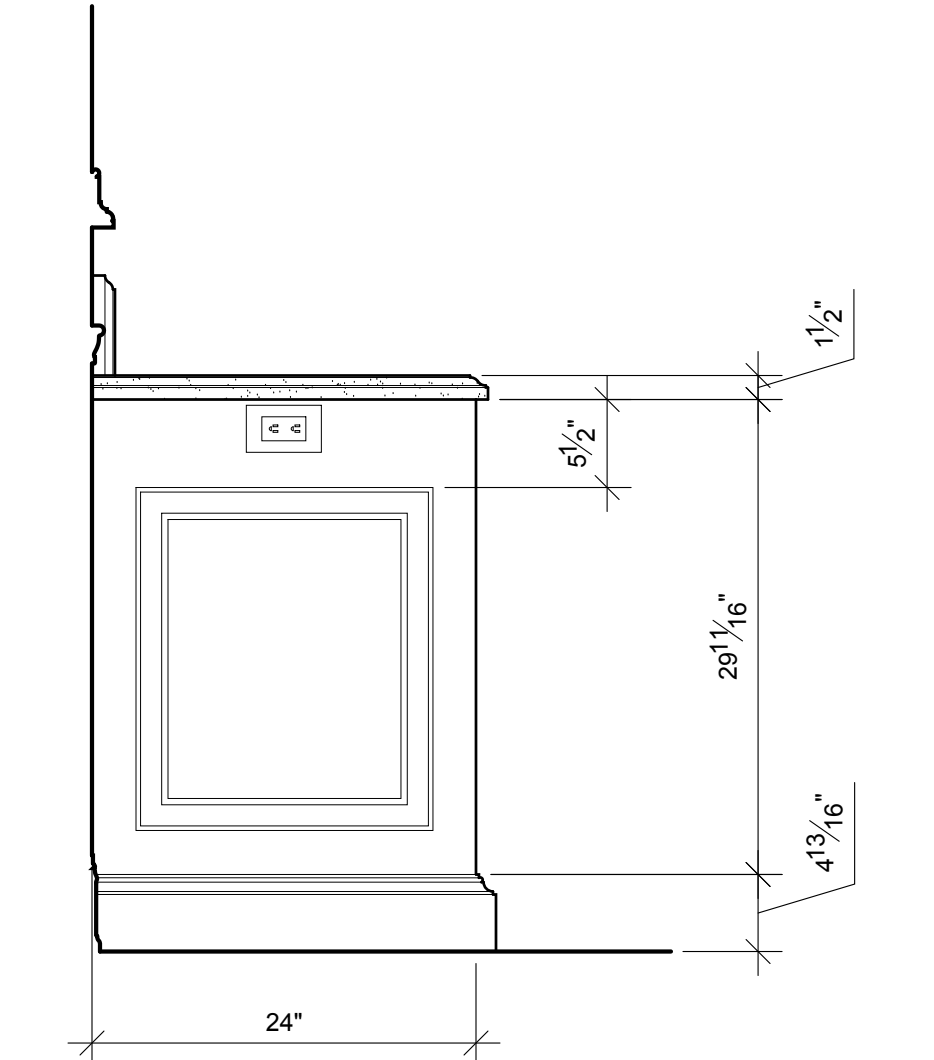
- EXTERIOR WOOD SURFACES TO BE PREMIUM PAINT GRADE.
- JOB SITE APPLIED PAINTED FINISH BY OTHERS.
- INTERIOR SURFACES TO BE PRE-FINISHED MAPLE PLYWOOD UNLESS NOTED.
- BLUM 110 DEGREE HINGES W/ BLUMOTION SOFT CLOSE FEATURE.
- DRAWERS TO BE SOLID MAPLE HARDWOOD
- SELECT GRADE, 3/4" THICK, DOVETAIL CONSTRUCTION.
- #563 BLUM TANDEM PREMIUM UNDERMOUNT FULL-EXTENSION DRAWER SLIDES W/ SOFT CLOSE FEATURE.
- 3/8" DOOR AND DRAWER REVEALS TYP.
- PULLS TBD, SUPPLIED BY CLIENT.
- STONE COUNTER TOPS BY OTHERS.
- 5/8" OR 3/4" PLYWOOD SUB TOPS BY DIW.
- CONTRACTOR IS RESPONSIBLE FOR COORDINATING CASEWORK INSTALLATION W/ ALL RELATED TRADES.



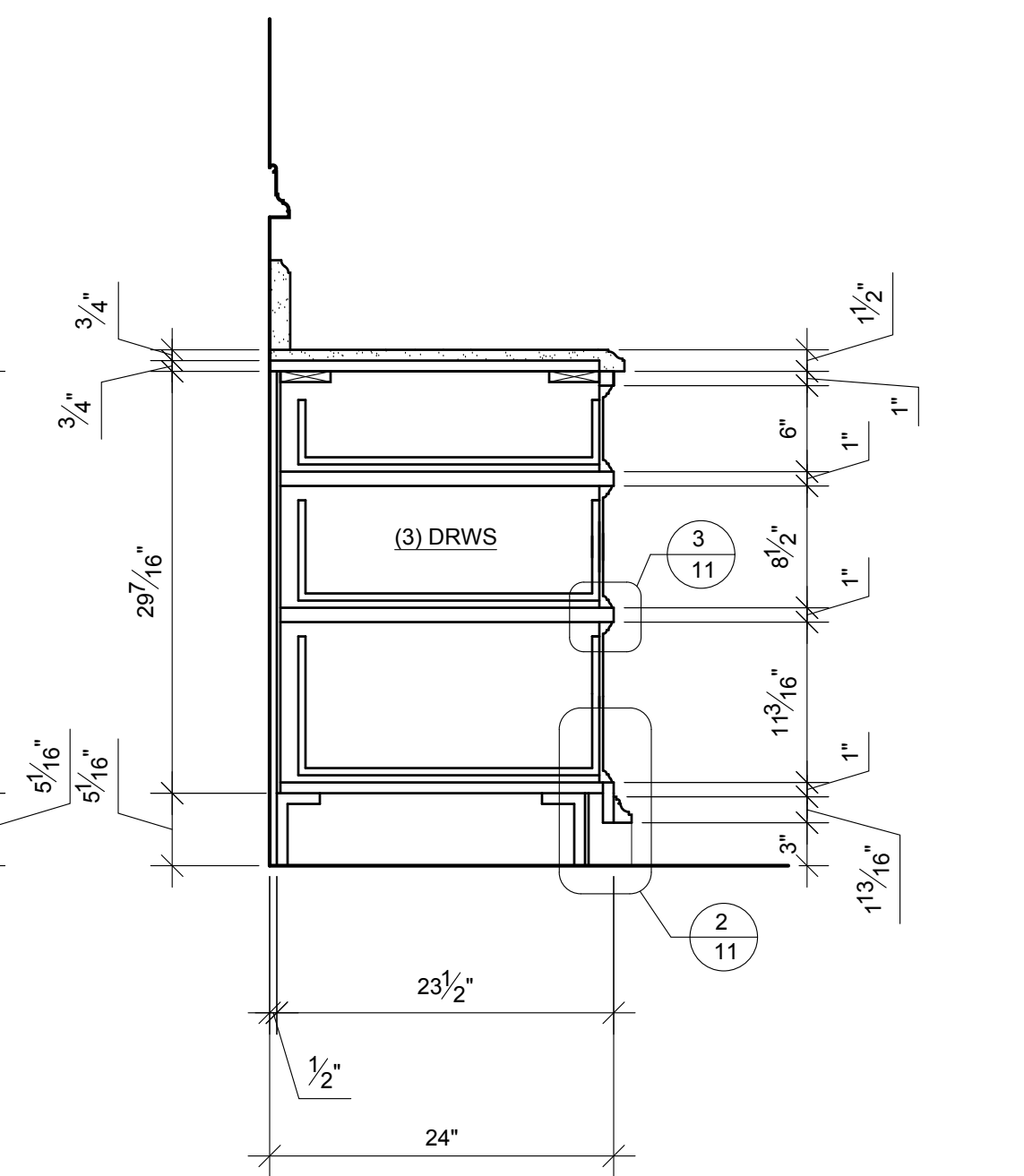
3 BATH 317 - FRONT ELEVATION
10 1" = 1'-0"



4 BATH 317 - FRONT SECTION
10 1" = 1'-0"



6 BATH 317 - SIDE ELEVATION
10 1" = 1'-0"

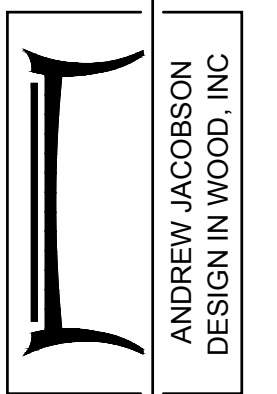


5 BATH 317 - SIDE SECTION @ DRAWERS
10 1" = 1'-0"

REVISIONS	BY
07.01.2019	PB

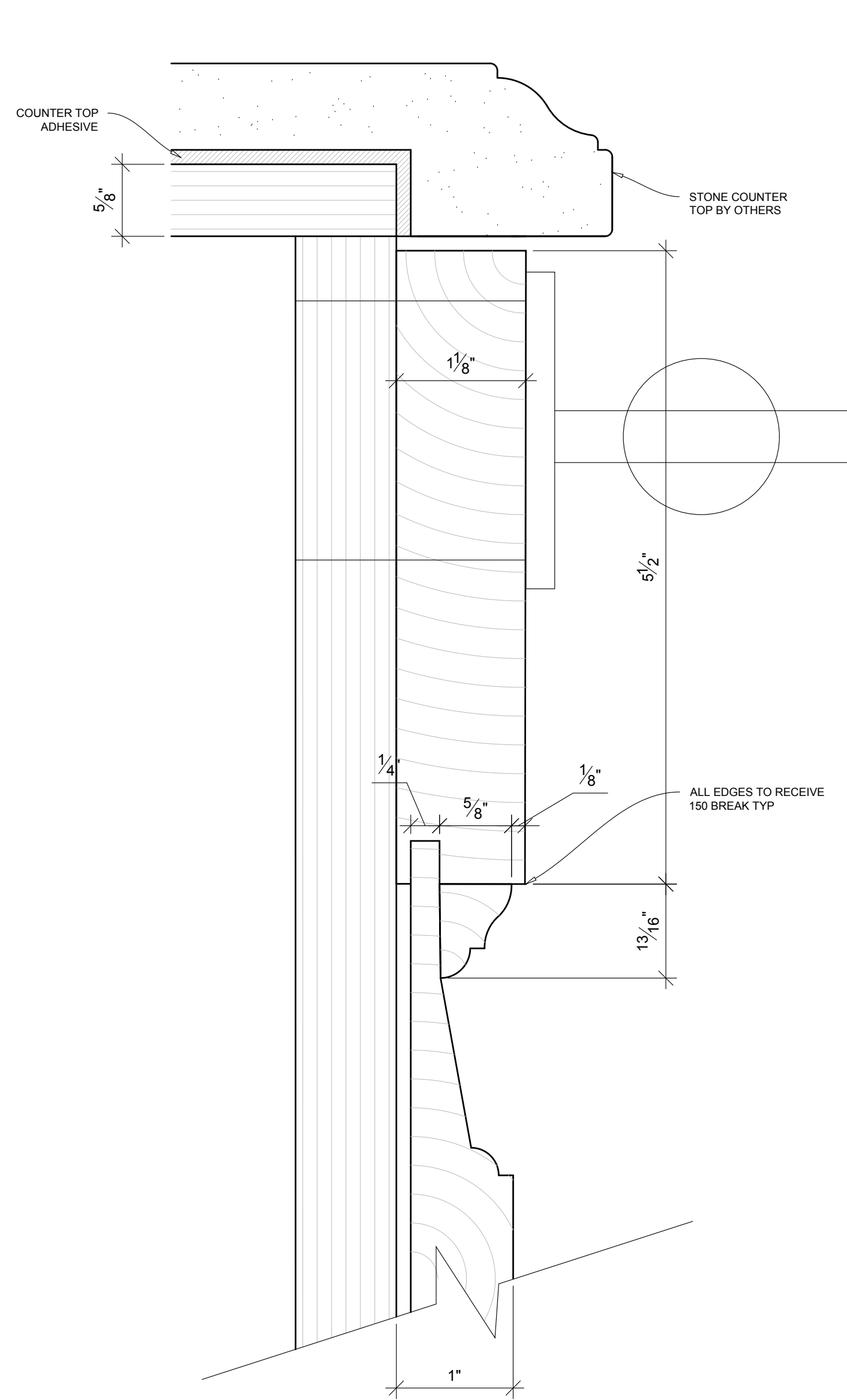
PRIVATE RESIDENCE
ALPINE ROAD, PORTOLA VALLEY, CA 94028

PHONE (707) 765-9885 FAX (707) 765-8563
DESIGNINWOODINC.COM

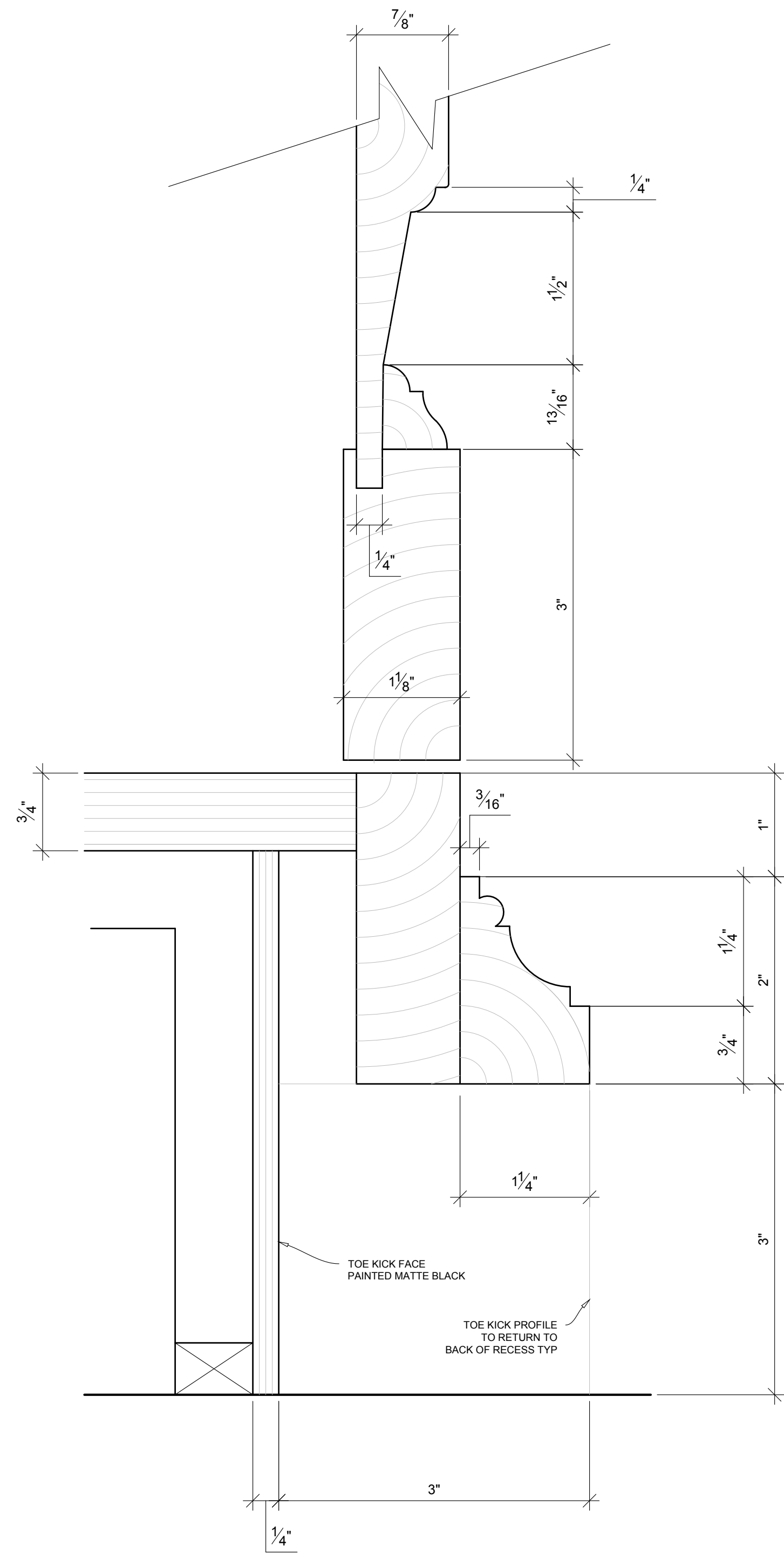


3420 SKILLMAN LANE, PETALUMA, CA 94952
ANDREW JACOBSON
DESIGN IN WOOD, INC

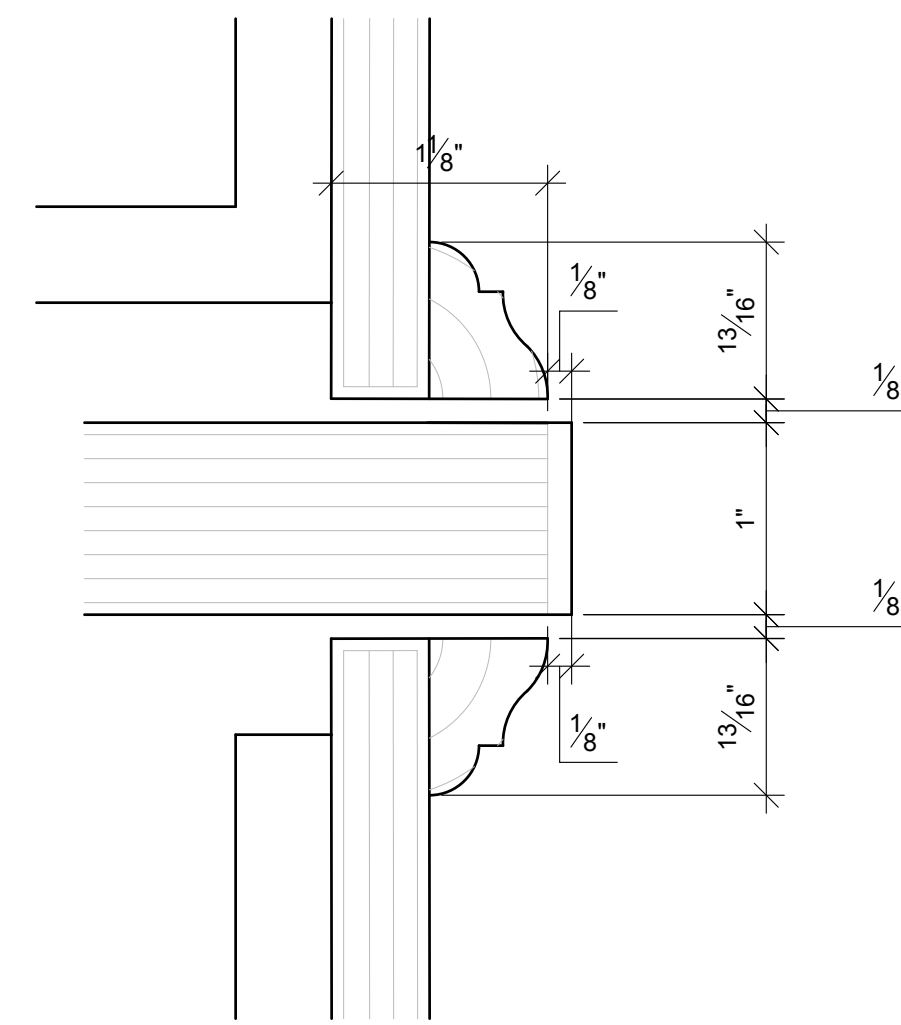
DATE: 05.14.19
SCALE: 1" = 1'-0"
DRAWN BY: PB
JOB: BATH 317
SHEET:



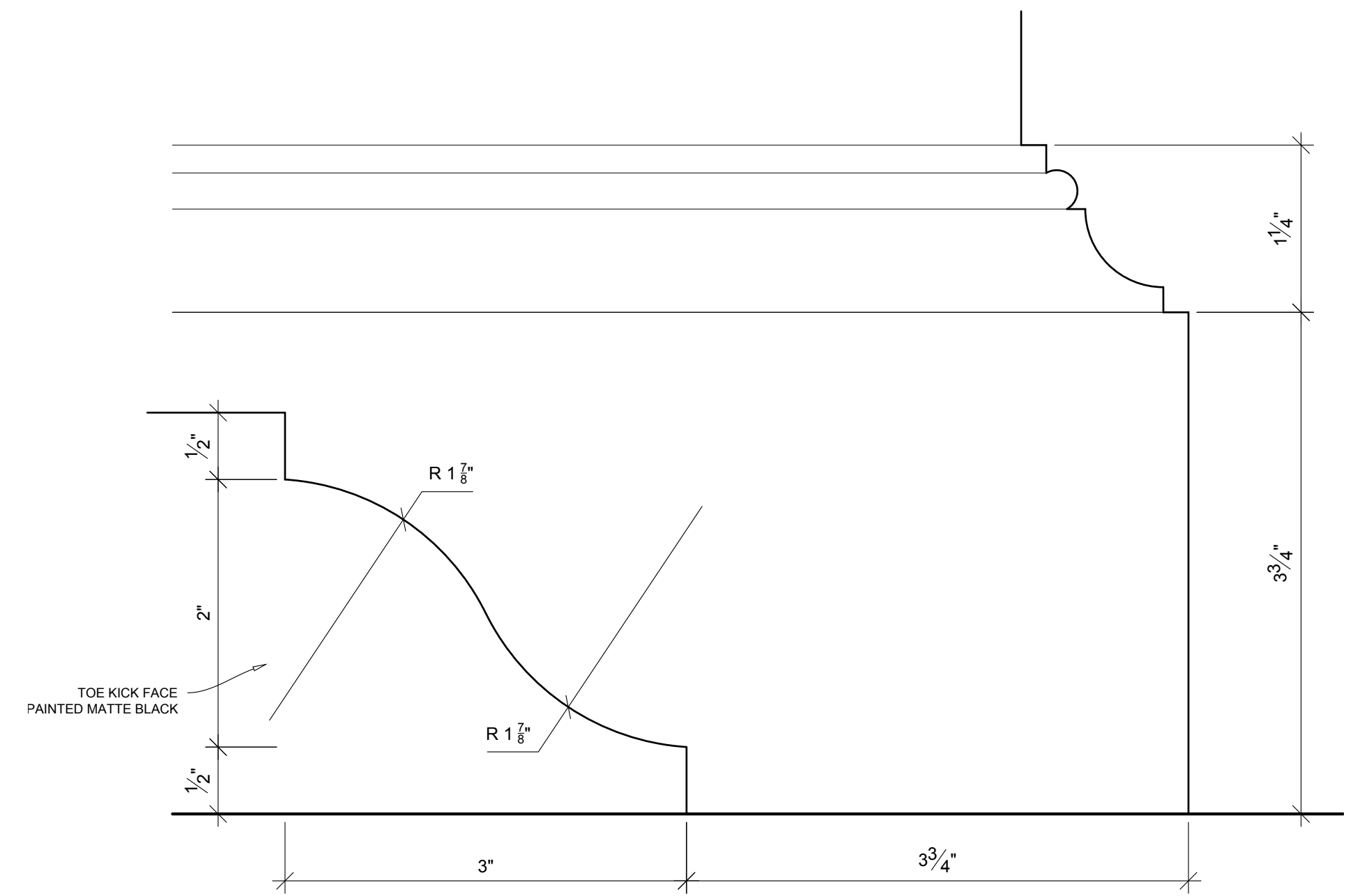
1 BATH 317 - DETAIL AT COUNTER TOP
11 FULL SCALE



2 BATH 317 - DETAIL AT BASE
11 FULL SCALE



1 BATH 317 - DETAIL AT DRAWERS
11 FULL SCALE

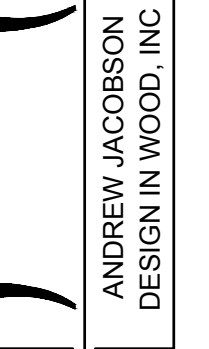


1 BATH 317 - DETAIL AT BASE II
11 FULL SCALE

REVISIONS	BY
07.01.2019	PB

PRIVATE RESIDENCE
ALPINE ROAD, PORTOLA VALLEY, CA 94028

PHONE (707) 765-9885 FAX (707) 765-8563
DESIGNINWOODINC.COM



3420 SKILLMAN LANE, PETALUMA, CA 94952
ANDREW JACOBSON
DESIGN IN WOOD, INC

DATE: 05.14.19
SCALE: 1" = 1'-0"
DRAWN BY: PB
JOB: BATH 317
SHEET: