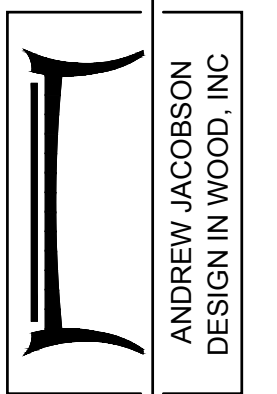


PRIVATE RESIDENTIAL KITCHEN

REVISIONS	BY
	PB
	PB

PRIVATE RESIDENCE
ZINFANDEL LANE, ST HELENA, CA 94574

PHONE (707) 765-9885 FAX (707) 765-8563
DESIGNINWOOD.COM



ANDREW JACOBSON
DESIGN IN WOOD, INC

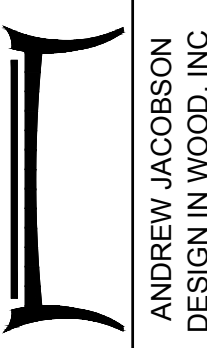
3420 SKILLMAN LANE, PETALUMA, CA 94952

DATE: 07.23.19
SCALE: 1" = 1'-0"
DRAWN BY: PB
JOB: TITLE
SHEET:

REVISIONS	BY
08.13.2019	PB
09.26.2019	PB

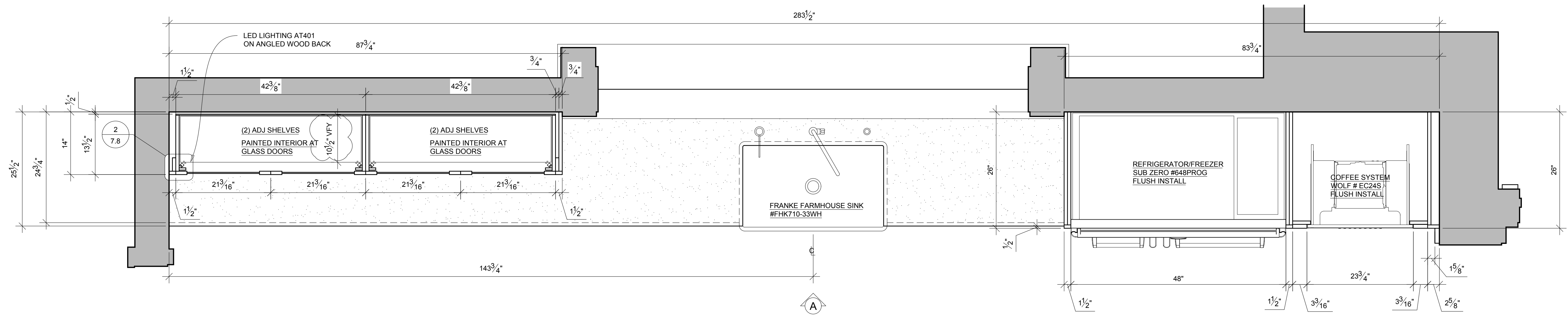
PRIVATE RESIDENCE
ZINFANDEL LANE, ST HELENA, CA 94574

PHONE (707) 765-9885 FAX (707) 765-8563
DESIGNINWOOD.COM

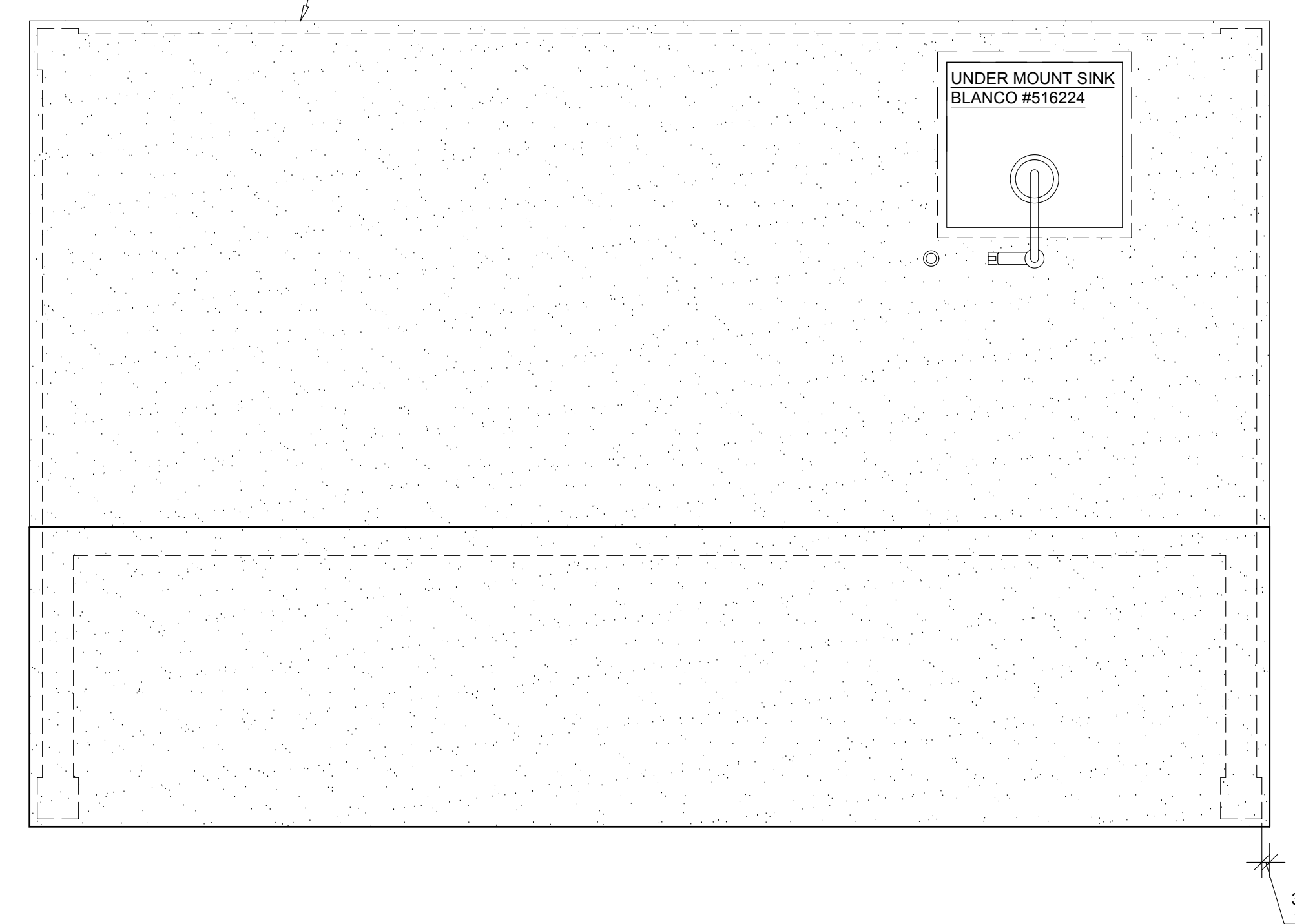


3420 SKILLMAN LANE, PETALUMA, CA 94952
ANDREW JACOBSON
DESIGN IN WOOD, INC

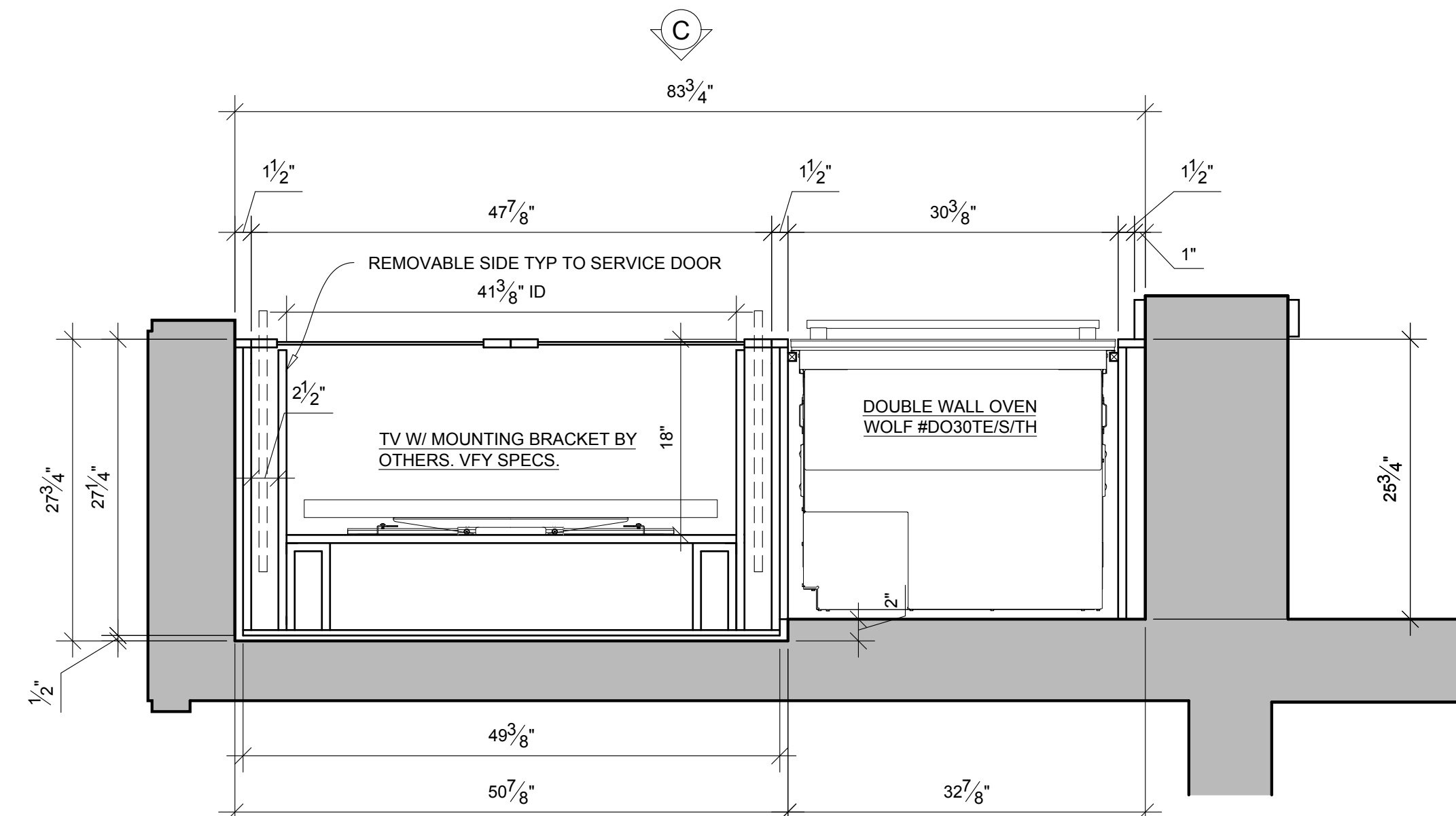
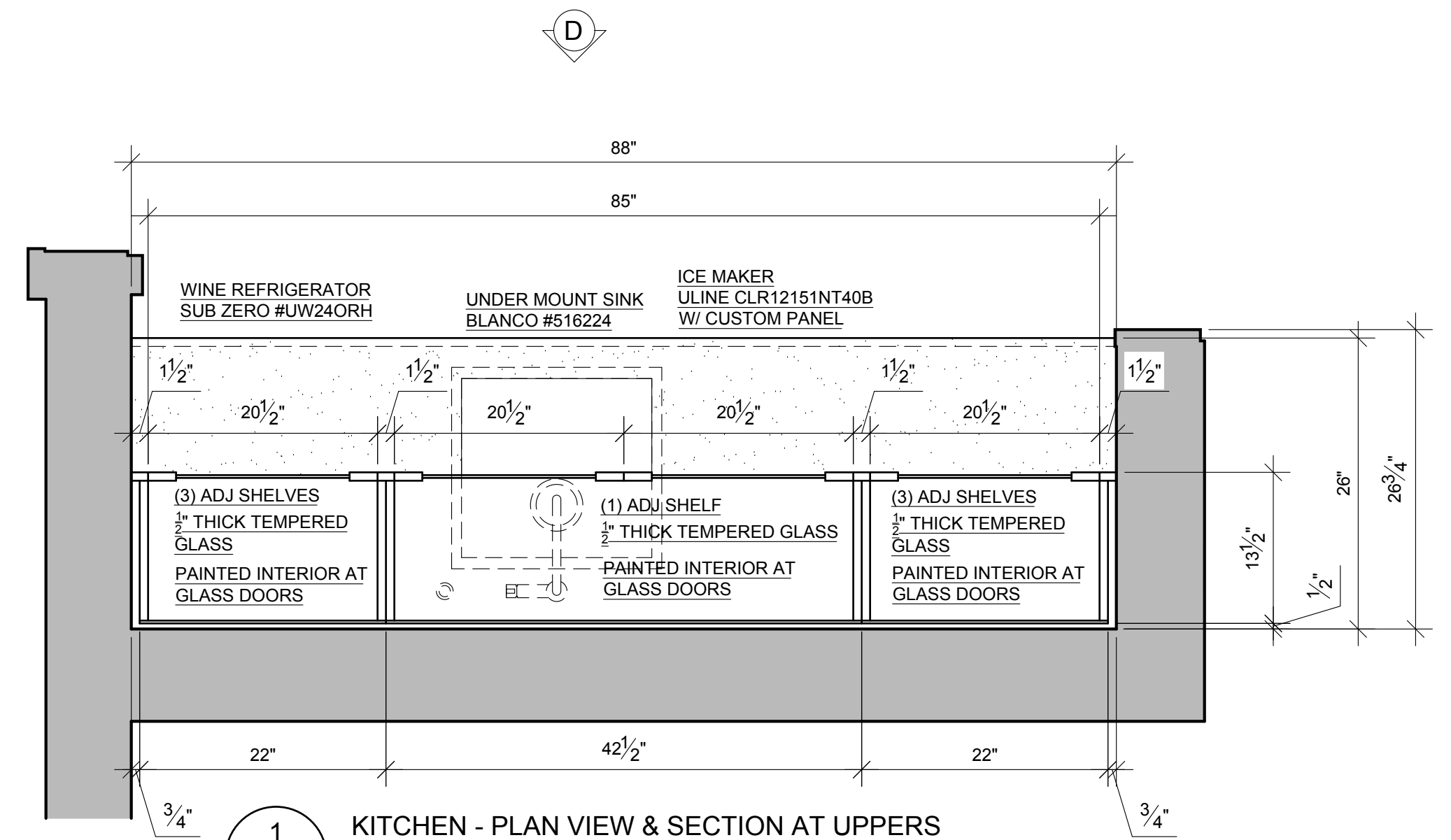
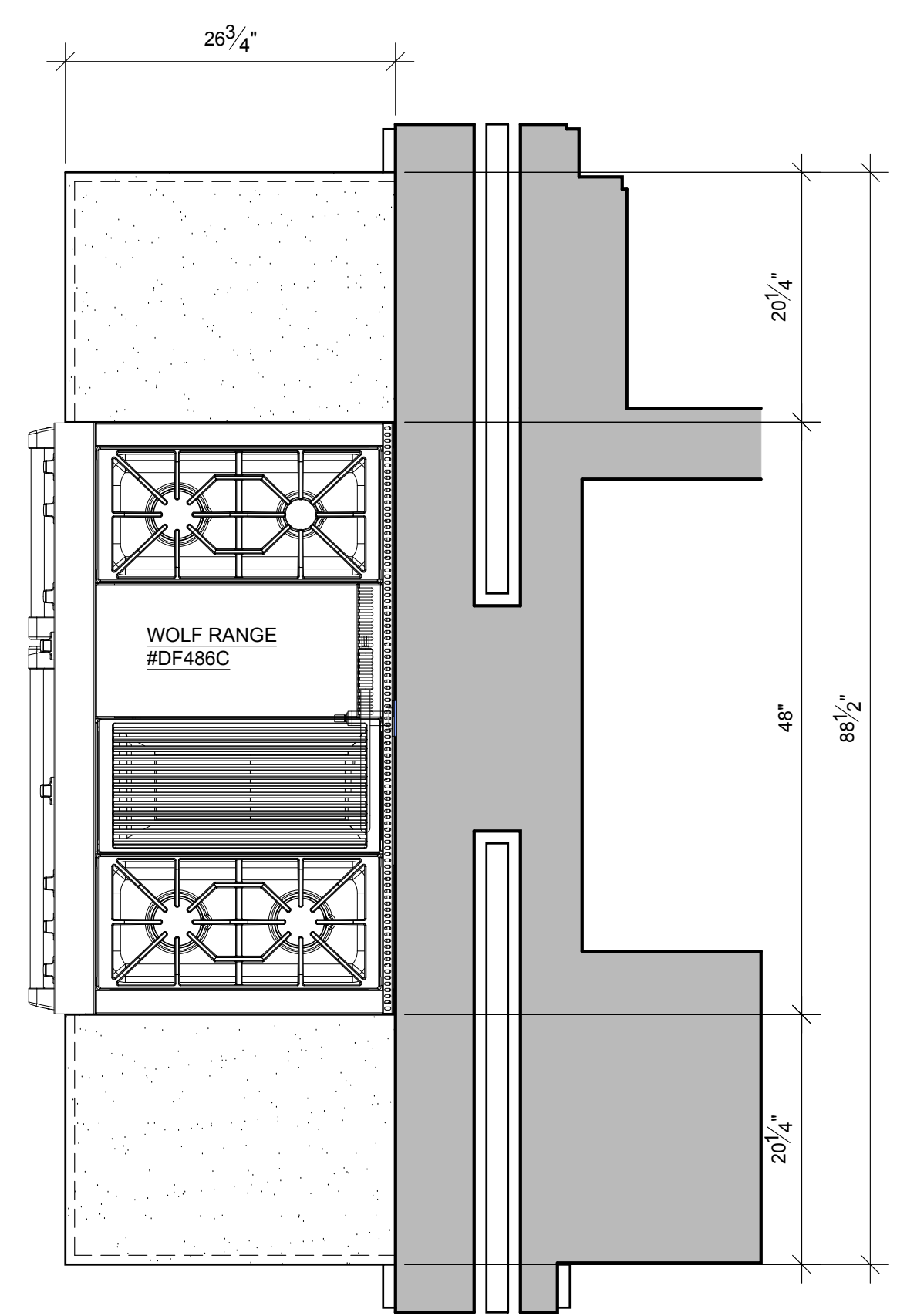
DATE: 07.23.19
SCALE: 1" = 1'-0"
DRAWN BY: PB
JOB: KITCHEN
SHEET:



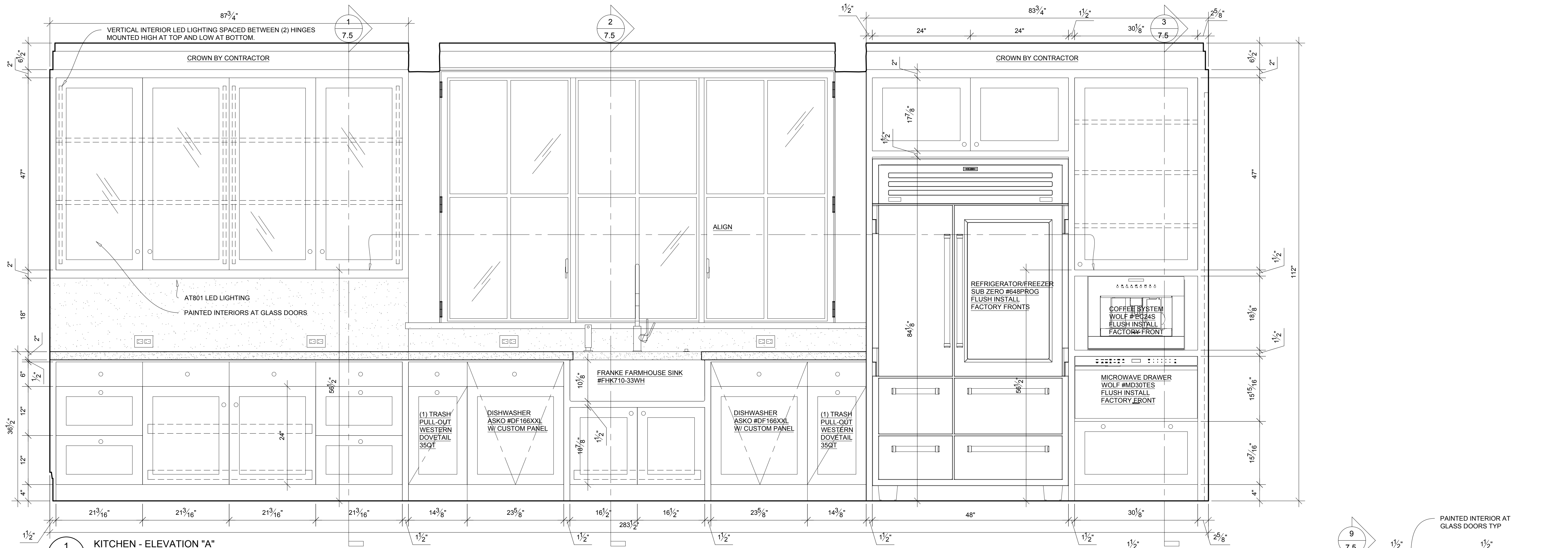
SEE PAGE 7.6 AND 7.7 FOR ISLAND



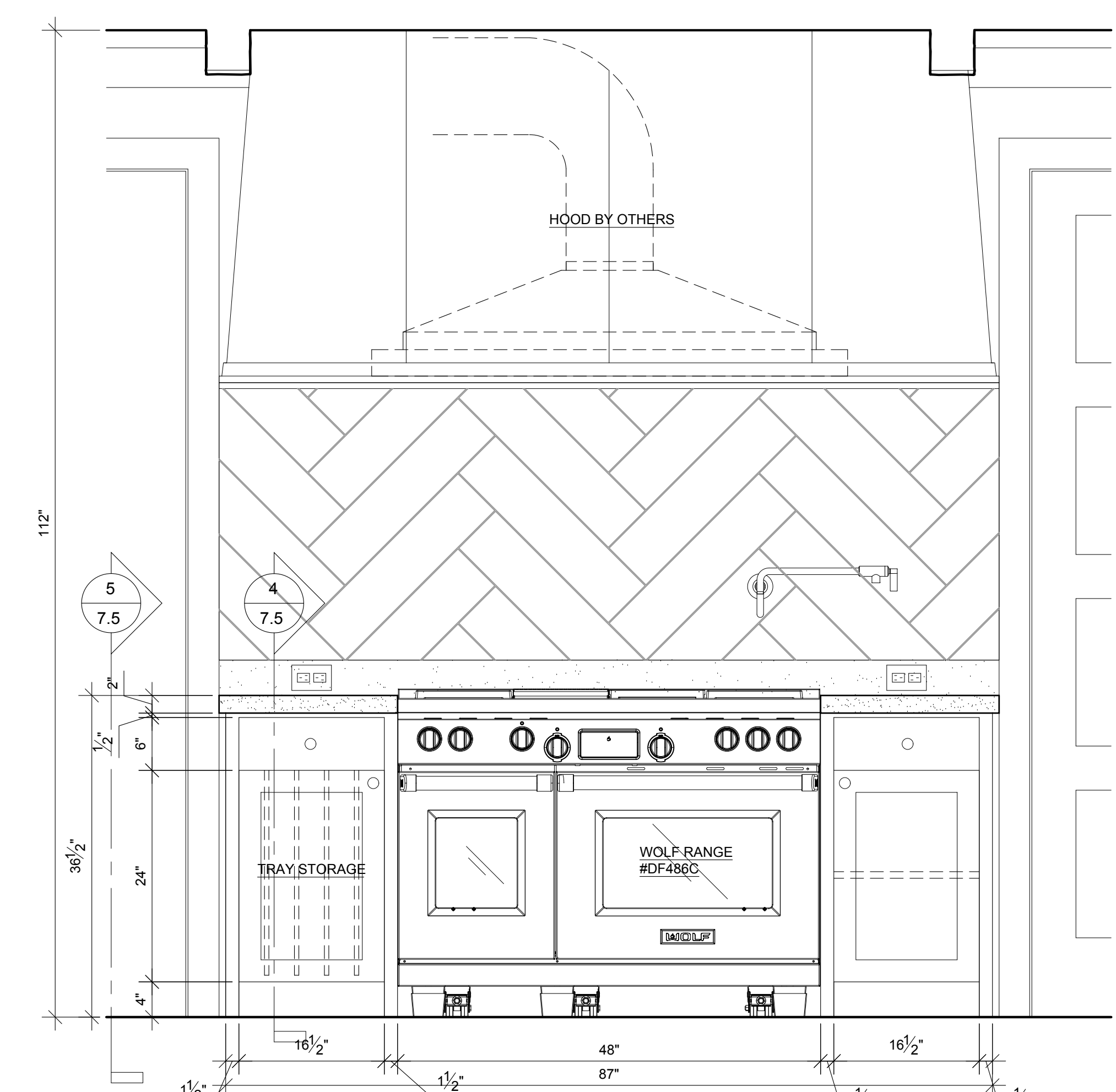
- CONSTRUCTION NOTES:**
- EXTERIOR WOOD SURFACES TO BE PREMIUM PAINT GRADE.
 - PAINTED FINISH HAND BRUSH PAINT, SATIN SHEEN, COLOR TBD.
 - INTERIOR SURFACES TO BE PRE-FINISHED OAK PLYWOOD EXCEPT WHERE NOTED.
 - ADJUSTABLE SHELVES SUPPORTED BY DOWEL STYLE 5MM POLISHED NICKLE PLATED SHELF PINS, SET INTO RECESSES OF UNDERSIDE OF SHELF. ADJUSTMENT HOLES ON 32mm CENTERS.
 - DRAWERS TO BE SOLID OAK HARDWOOD SELECT GRADE, 5/8" THICK, DOVETAIL CONSTRUCTION.
 - #563 BLUM TANDEM PREMIUM UNDERMOUNT FULL-EXTENSION DRAWER SLIDES W/ SOFT CLOSE FEATURE.
 - BLUM 110 DEGREE HINGES W/ BLUMOTION SOFT CLOSE FEATURE.
 - 1/2" DRAWER AND DOOR REVEALS TYP.
 - DRAWER AND DOOR PULLS TBD, SUPPLIED BY CLIENT.
 - STONE COUNTER TOPS BY OTHERS.
 - SUB TOPS BY DIW.
 - CROWN, DOOR CASING AND BASEBOARD BY OTHERS.
 - CONTRACTOR IS RESPONSIBLE FOR COORDINATING CASEWORK INSTALLATION W/ ALL RELATED TRADES, INCLUDING BUT NOT LIMITED TO APPLIANCES, EQUIPMENT, PLUMBING FIXTURES, AND COUNTER TOPS.



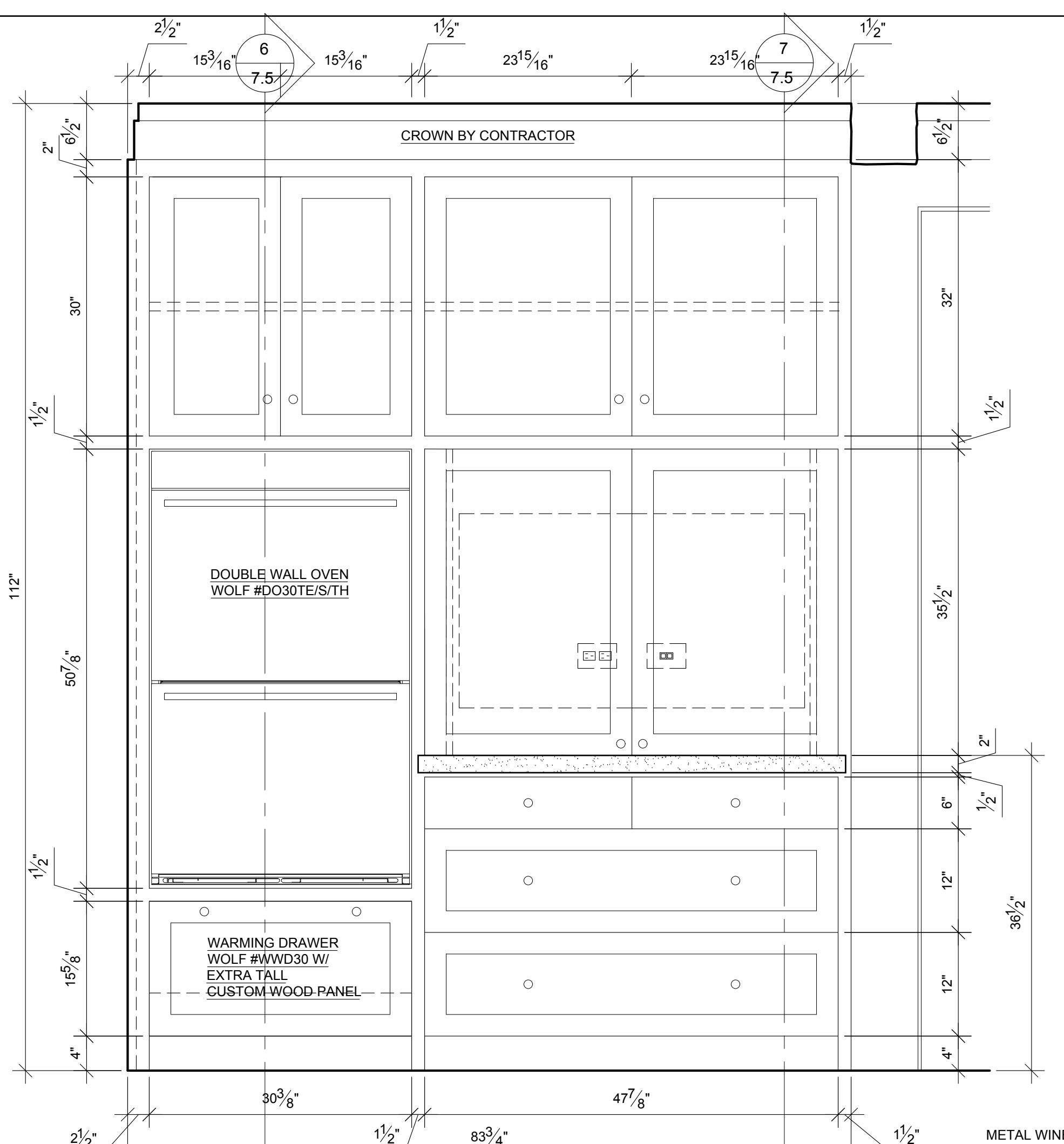
1 KITCHEN - PLAN VIEW & SECTION AT UPPERS
7.1 1" = 1'-0"



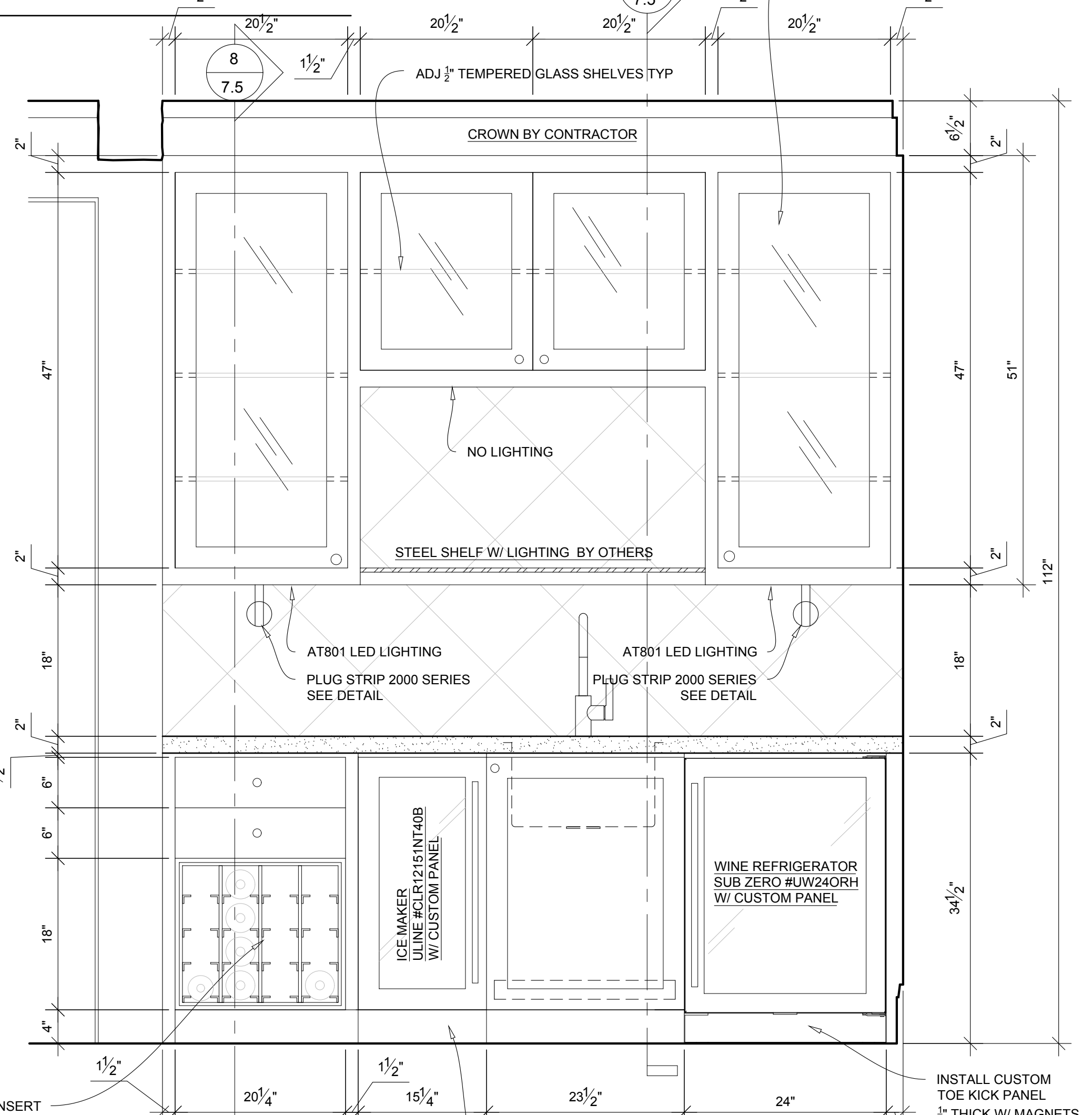
1 KITCHEN - ELEVATION "A"
7.3 1" = 1'-0"



2 KITCHEN - ELEVATION "B"
7.3 1" = 1'-0"



3 KITCHEN - ELEVATION "C"
7.3 1" = 1'-0"



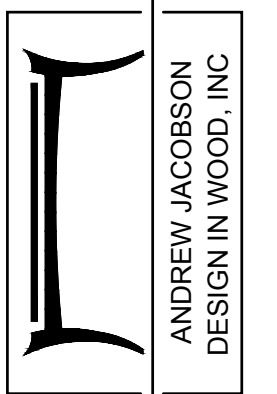
4 KITCHEN - ELEVATION "D"
7.3 1" = 1'-0"

VFY TOE KICK PANEL CAN BE INSTALLED FLUSH TO ADJACENT TOE KICK

REVISIONS	BY
08.13.2019	PB
09.26.2019	PB

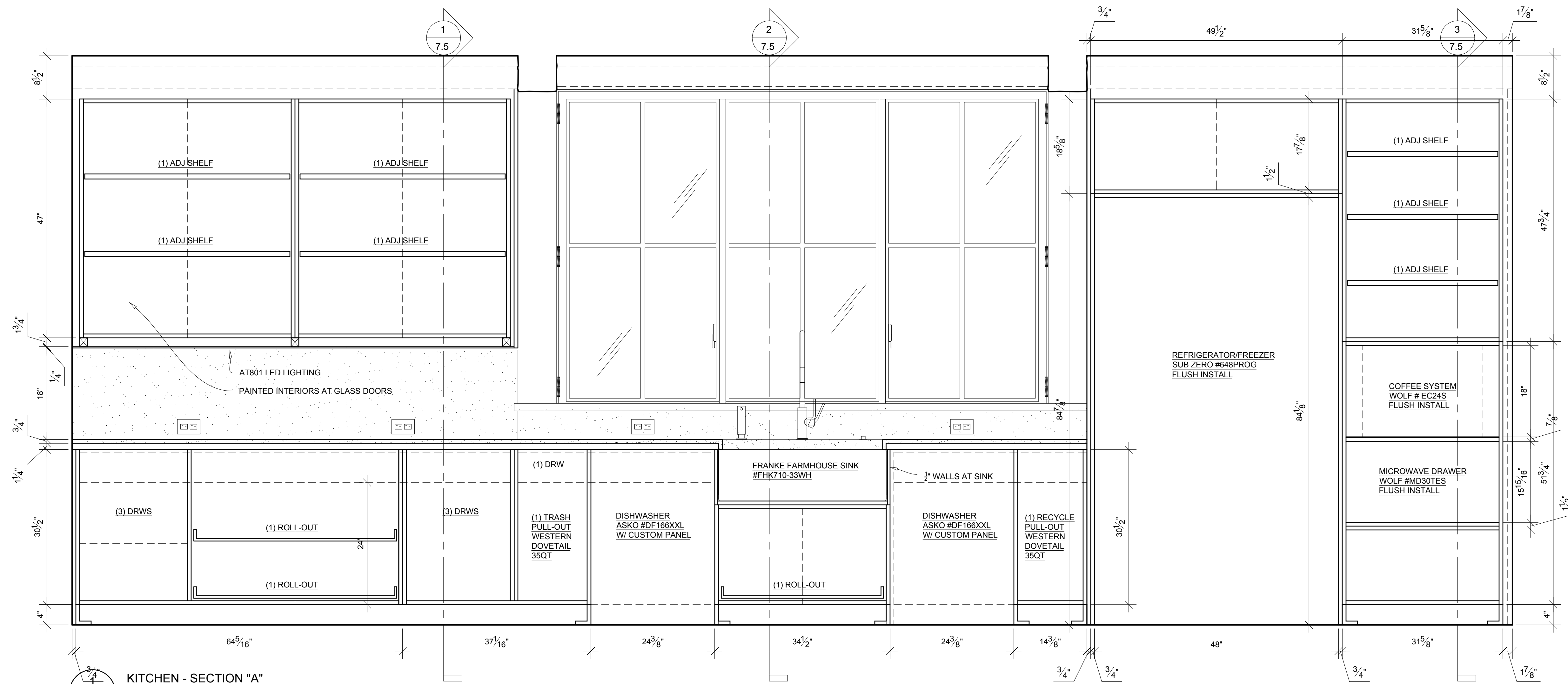
PRIVATE RESIDENCE
ZINFANDEL LANE, ST HELENA, CA 94574

PHONE (707) 765-9885 FAX (707) 765-8563
DESIGNINWOOD.COM

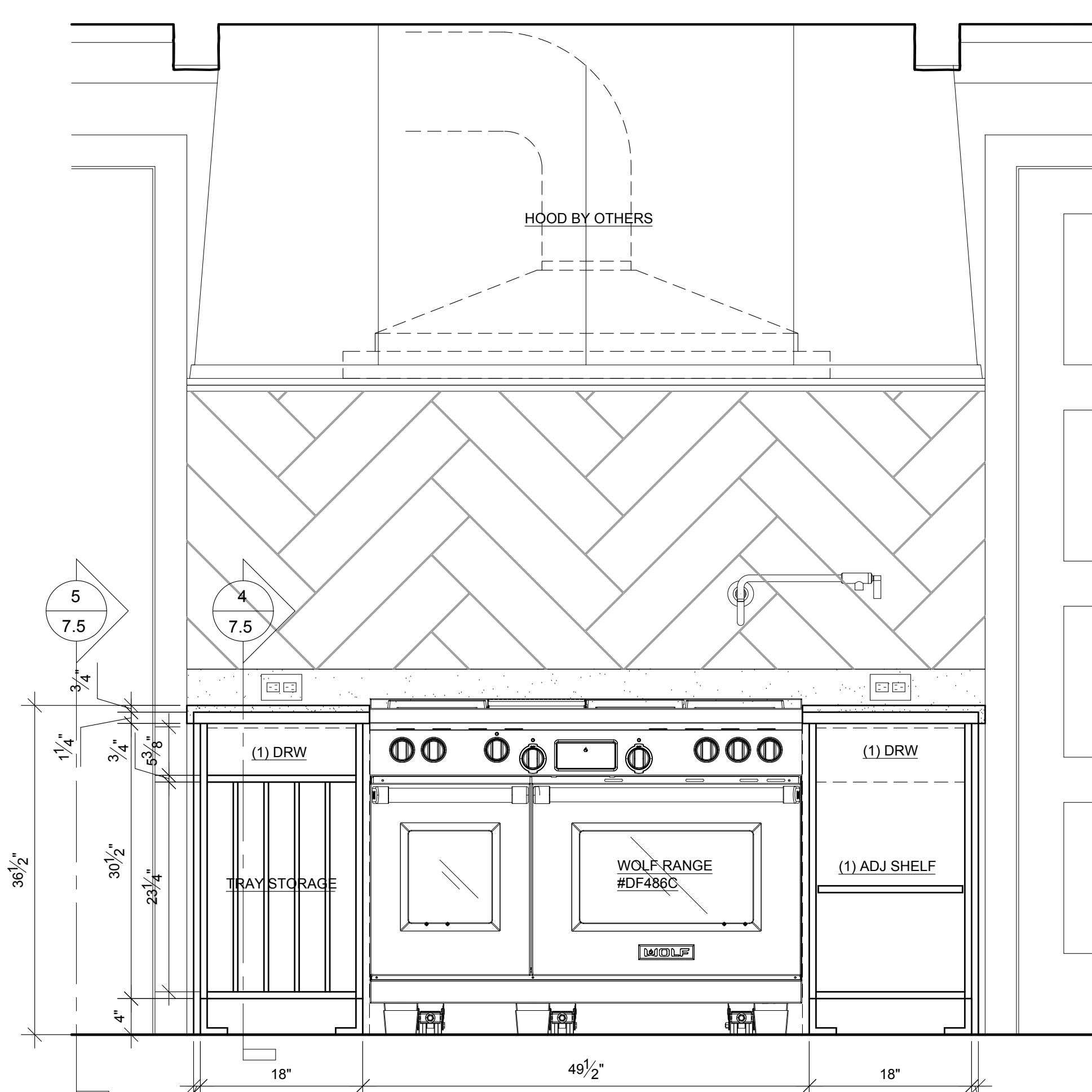


3420 SKILLMAN LANE, PETALUMA, CA 94952
ANDREW JACOBSON
DESIGN IN WOOD, INC

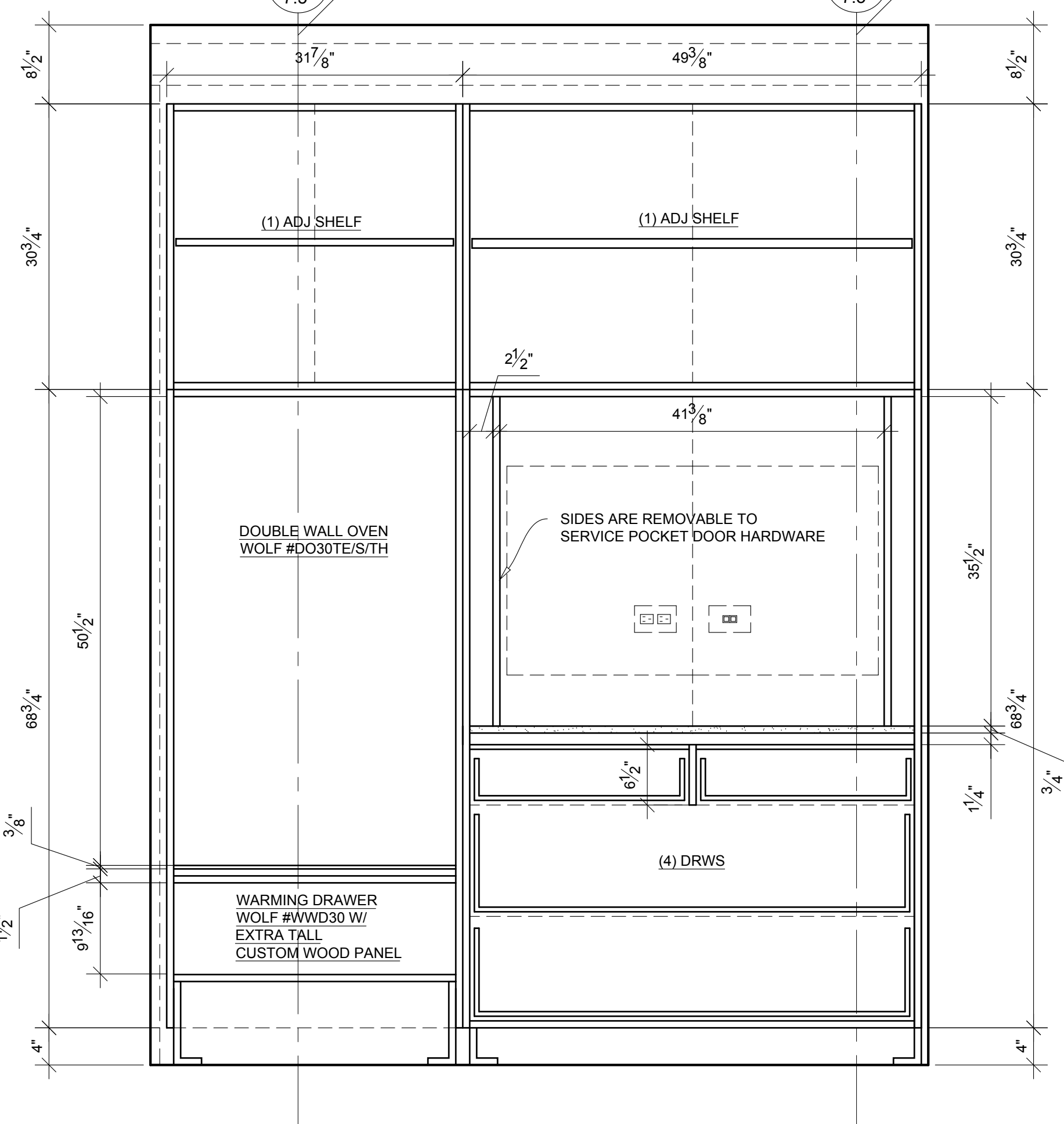
DATE: 07.23.19
SCALE: 1" = 1'-0"
DRAWN BY: PB
JOB: KITCHEN
SHEET:



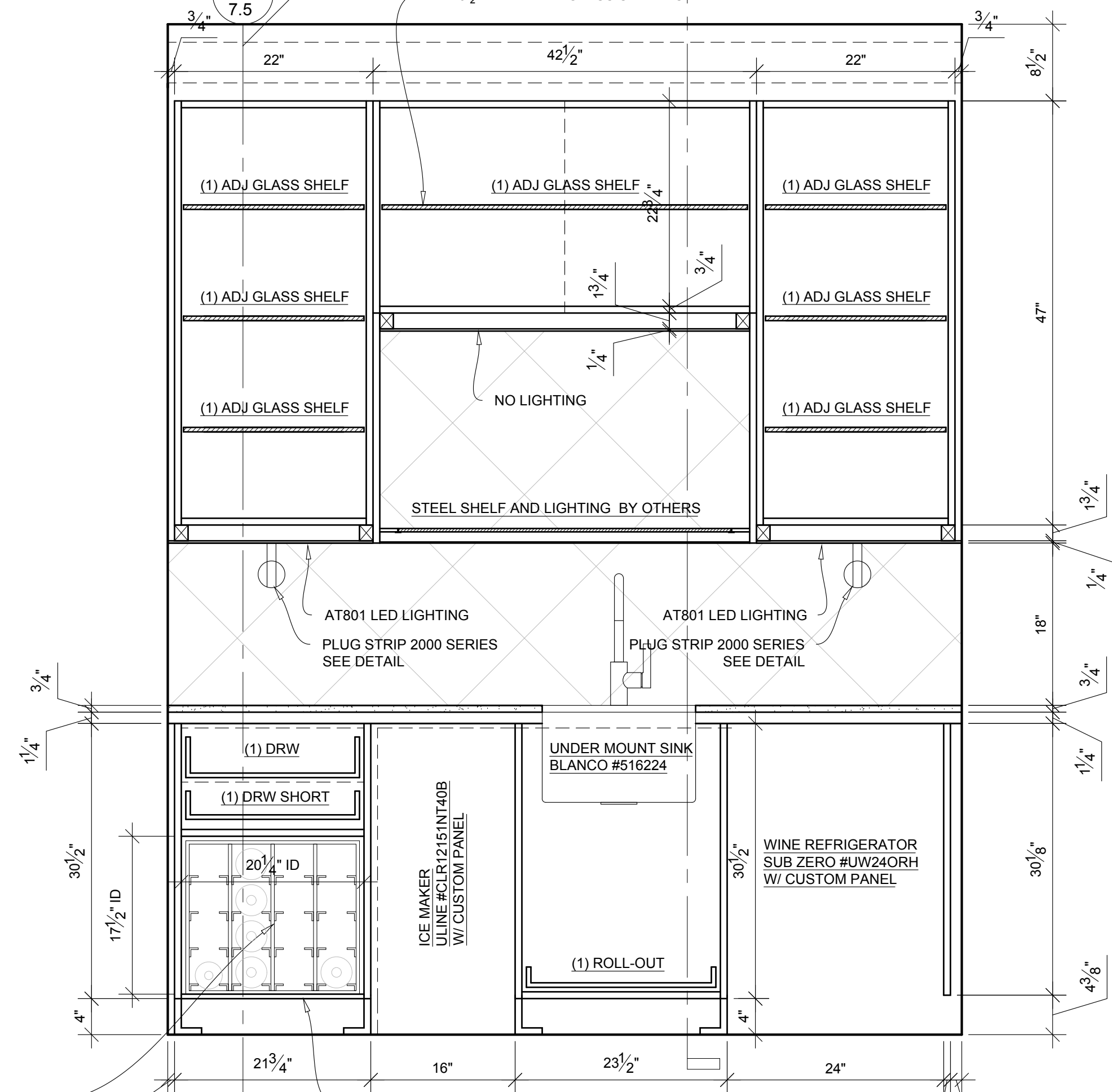
7.4 KITCHEN - SECTION "A"
1" = 1'-0"



7.4 KITCHEN - SECTION "B"
1" = 1'-0"



7.4 KITCHEN - SECTION "C"
1" = 1'-0"

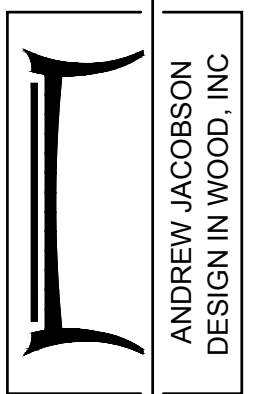


7.4 KITCHEN - SECTION "D"
1" = 1'-0"

REVISIONS	BY
08.13.2019	PB
09.26.2019	PB

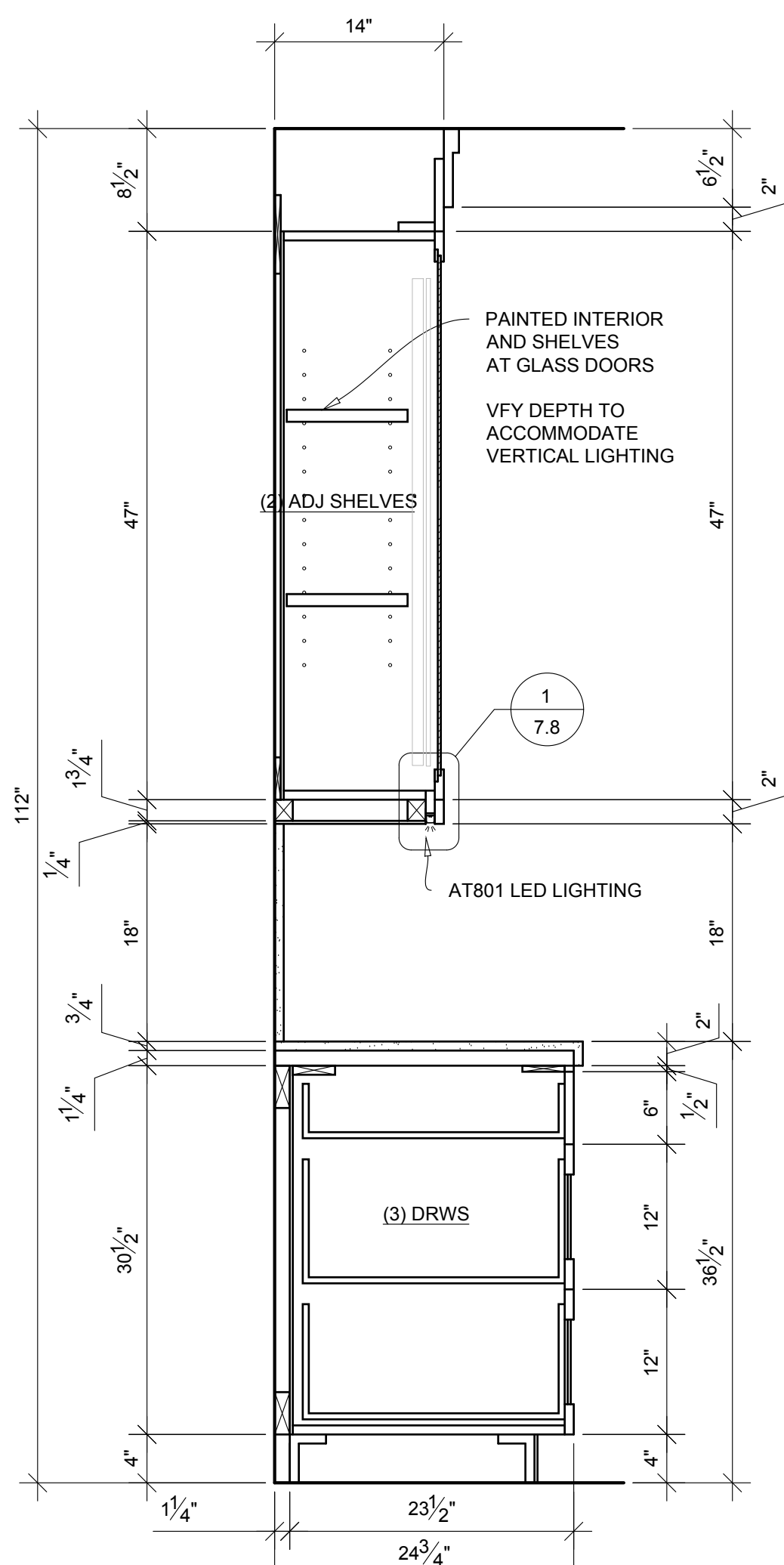
PRIVATE RESIDENCE
 ZINFANDEL LANE, ST HELENA, CA 94574

PHONE (707) 765-9885 FAX (707) 765-8563
 DESIGNINWOODINC.COM

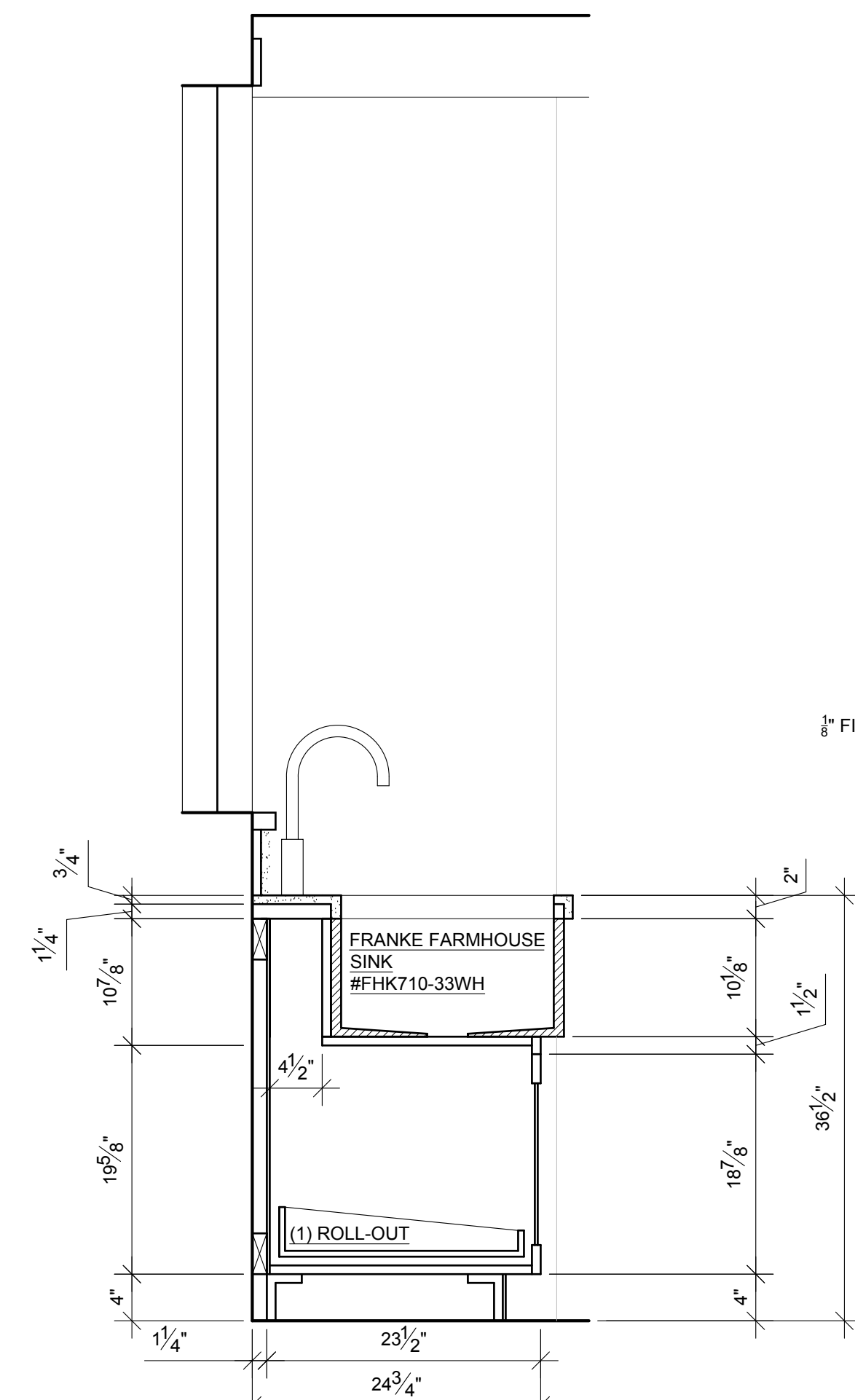


3420 SKILLMAN LANE, PETALUMA, CA 94952
 ANDREW JACOBSON
 DESIGN IN WOOD, INC

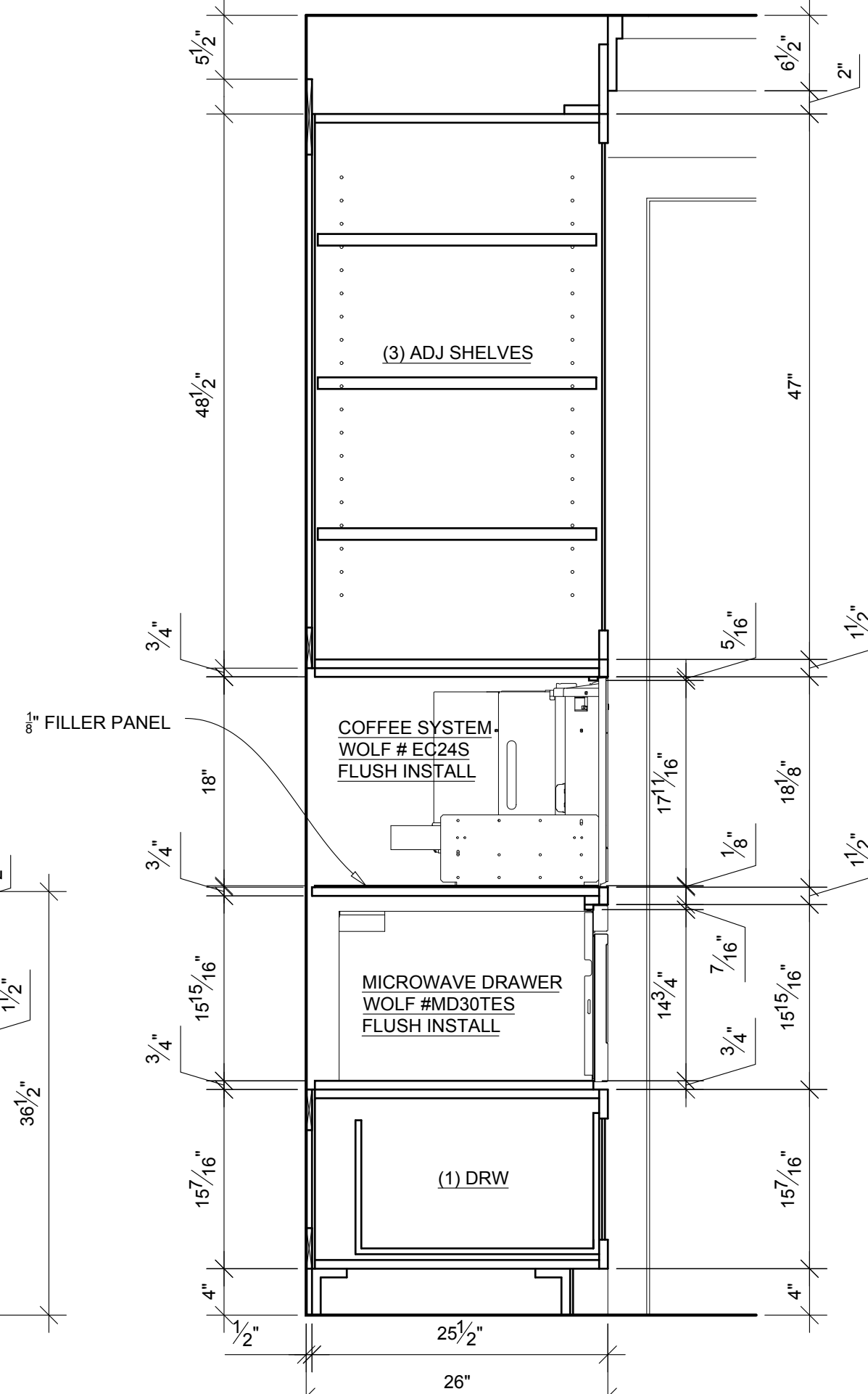
DATE: 07.23.19
 SCALE: 1" = 1'-0"
 DRAWN BY: PB
 JOB: KITCHEN
 SHEET:



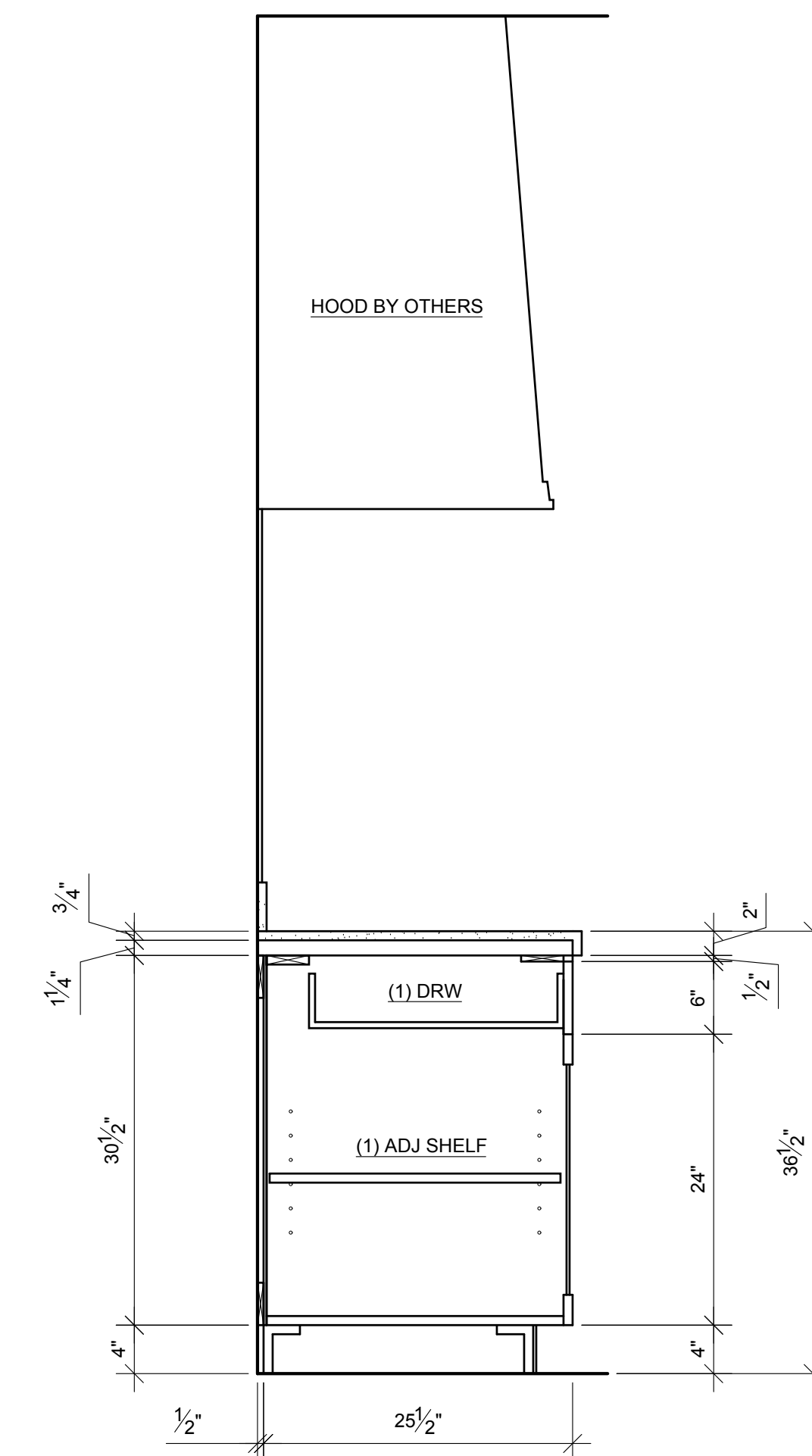
1 KITCHEN - SIDE SECTION @ UPPERS
7.5 1" = 1'-0"



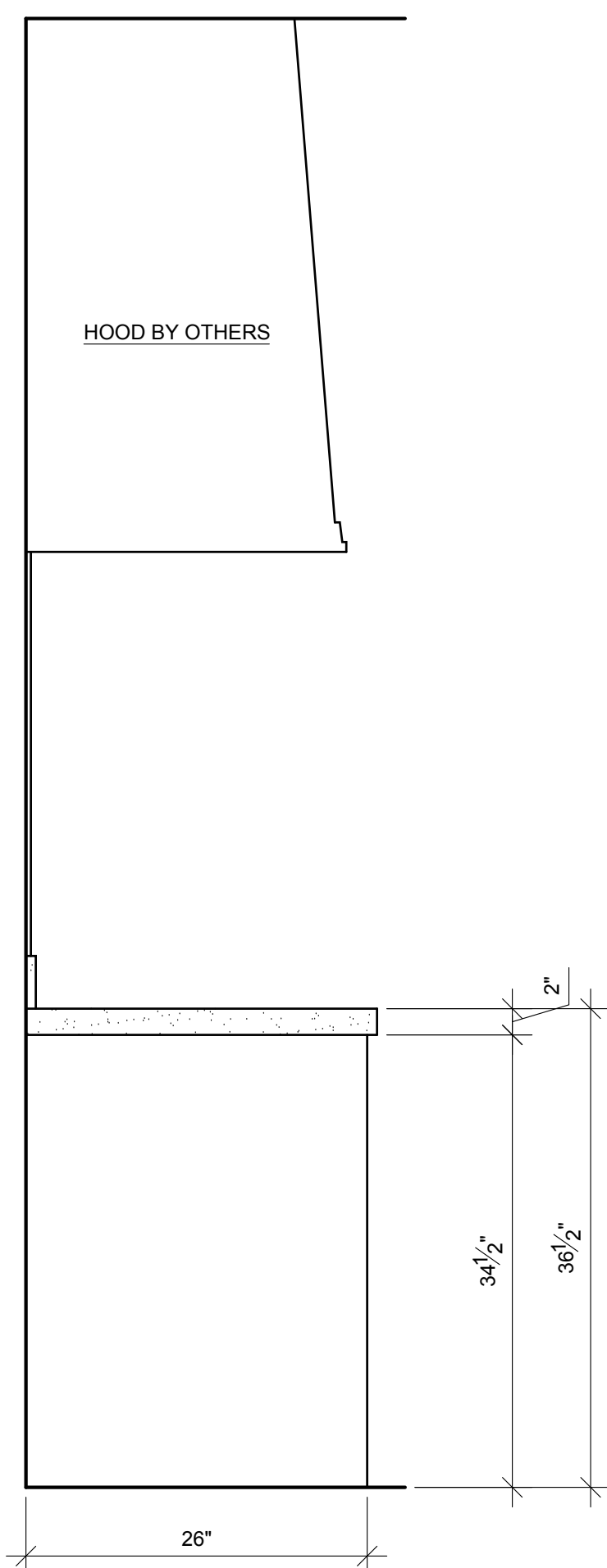
2 KITCHEN - SIDE SECTION @ FARMHOUSE SINK
7.5 1" = 1'-0"



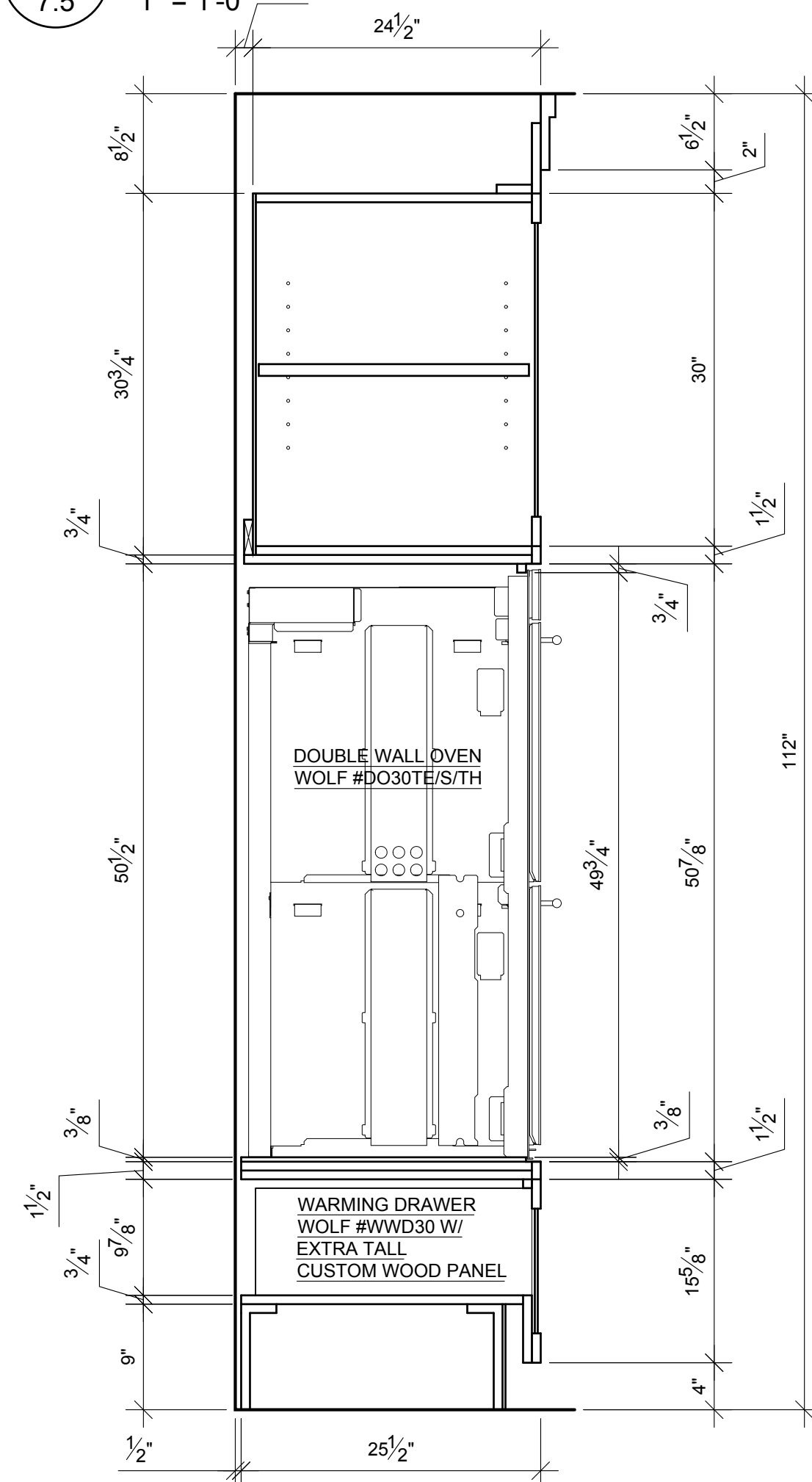
3 KITCHEN - SIDE SECTION @ COFFEE / MW
7.5 1" = 1'-0"



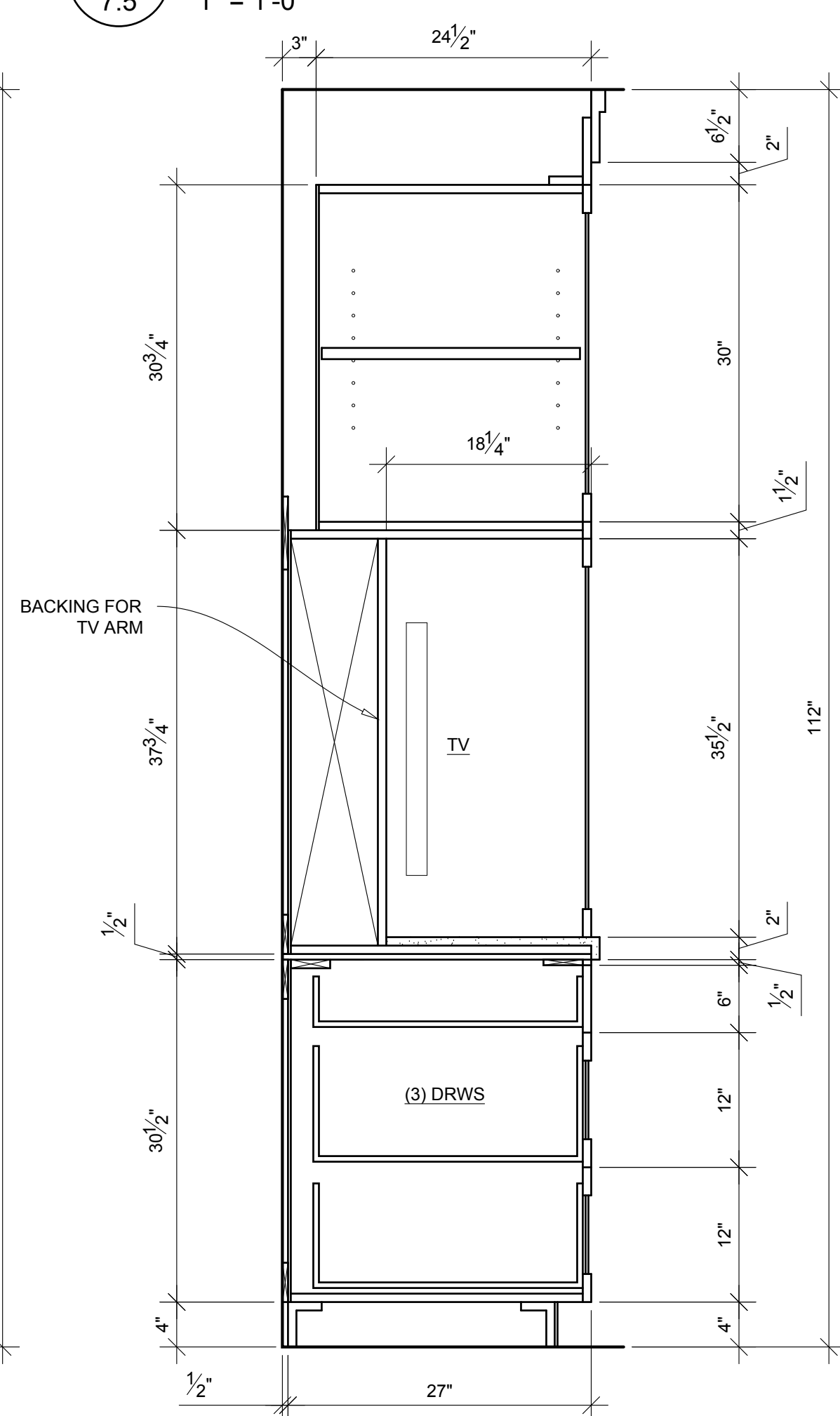
4 KITCHEN - SIDE SECTION @ RANGE CABINET
7.5 1" = 1'-0"



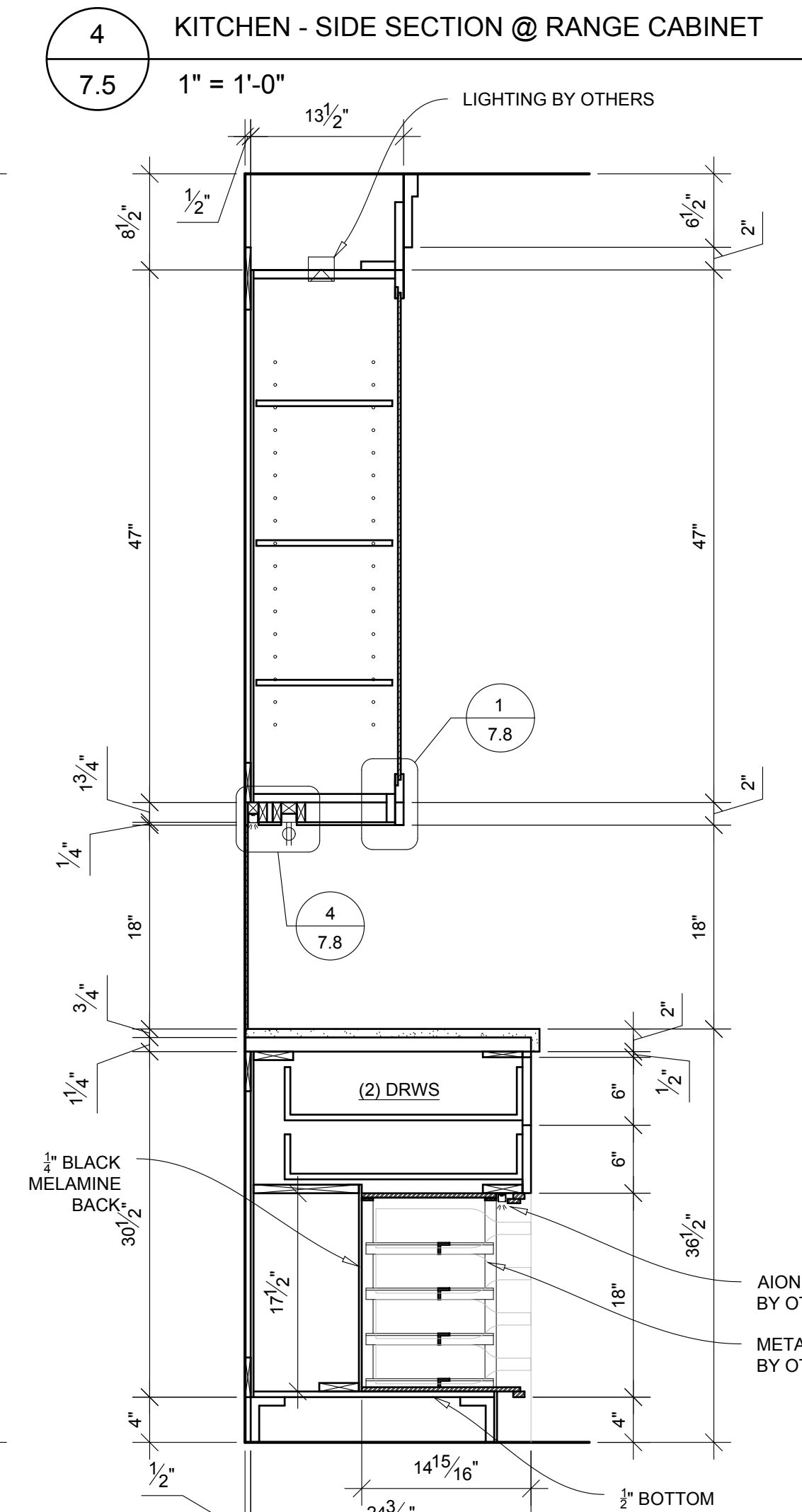
5 KITCHEN - SIDE ELEVATION @ RANGE CABINET
7.5 1" = 1'-0"



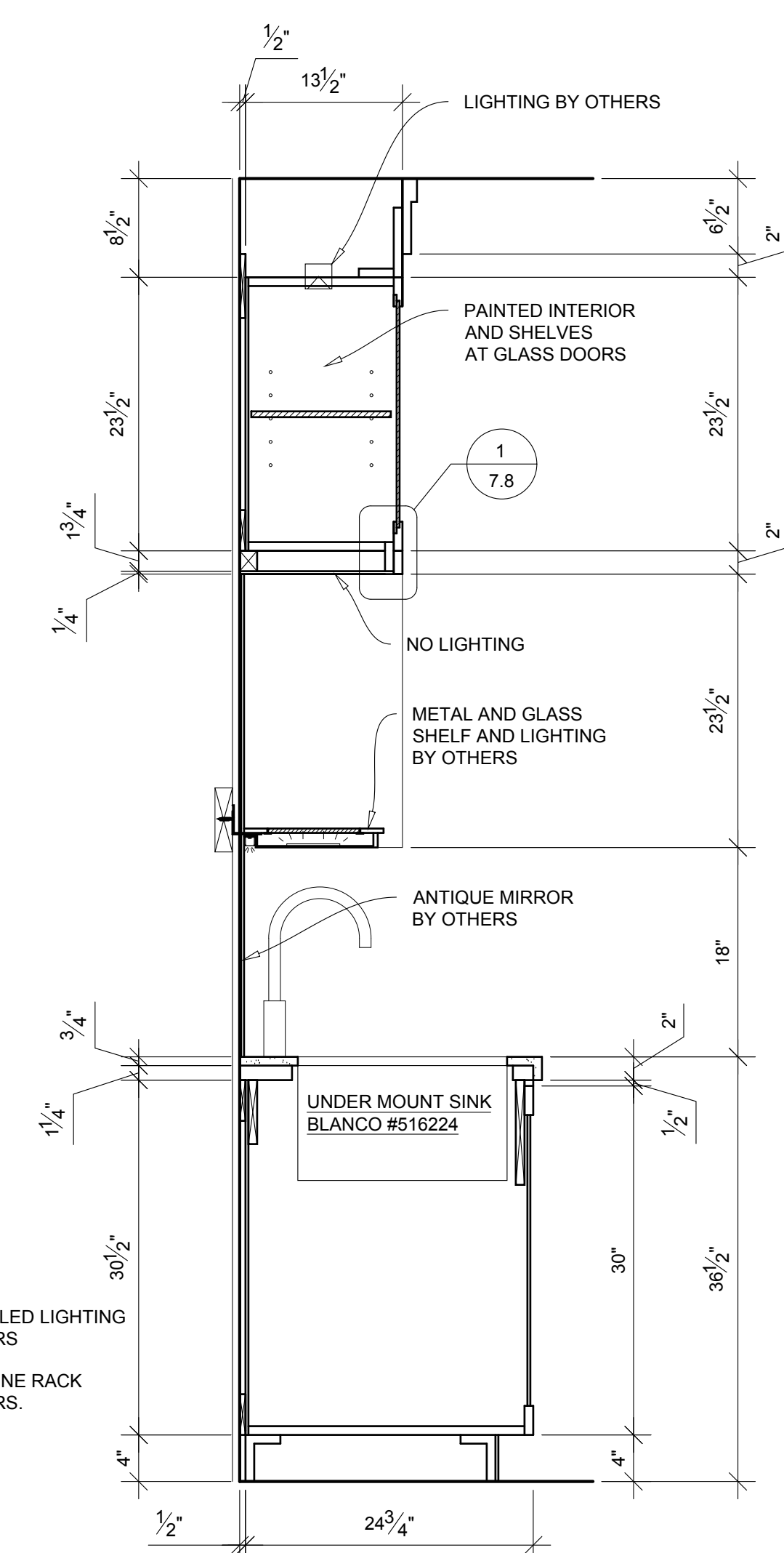
6 KITCHEN - SIDE SECTION @ WALL OVENS
7.5 1" = 1'-0"



7 KITCHEN - SIDE SECTION @ WALL OVENS
7.5 1" = 1'-0"



8 KITCHEN - SIDE SECTION @ BAR WINE RACK
7.5 1" = 1'-0"

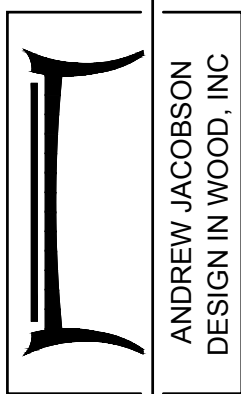


9 KITCHEN - SIDE SECTION @ BAR SINK
7.5 1" = 1'-0"

REVISIONS	BY
08.13.2019	PB
09.26.2019	PB

PRIVATE RESIDENCE
ZINFANDEL LANE, ST HELENA, CA 94574

PHONE (707) 765-9885 FAX (707) 765-8563
DESIGNINWOOD.COM



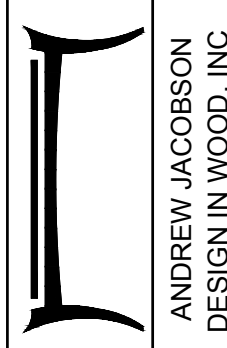
3420 SKILLMAN LANE, PETALUMA, CA 94952
ANDREW JACOBSON
DESIGN IN WOOD, INC

DATE: 07.23.19
SCALE: 1" = 1'-0"
DRAWN BY: PB
JOB: KITCHEN
SHEET:

REVISIONS	BY
08.13.2019	PB
	PB

PRIVATE RESIDENCE
ZINFANDEL LANE, ST HELENA, CA 94574

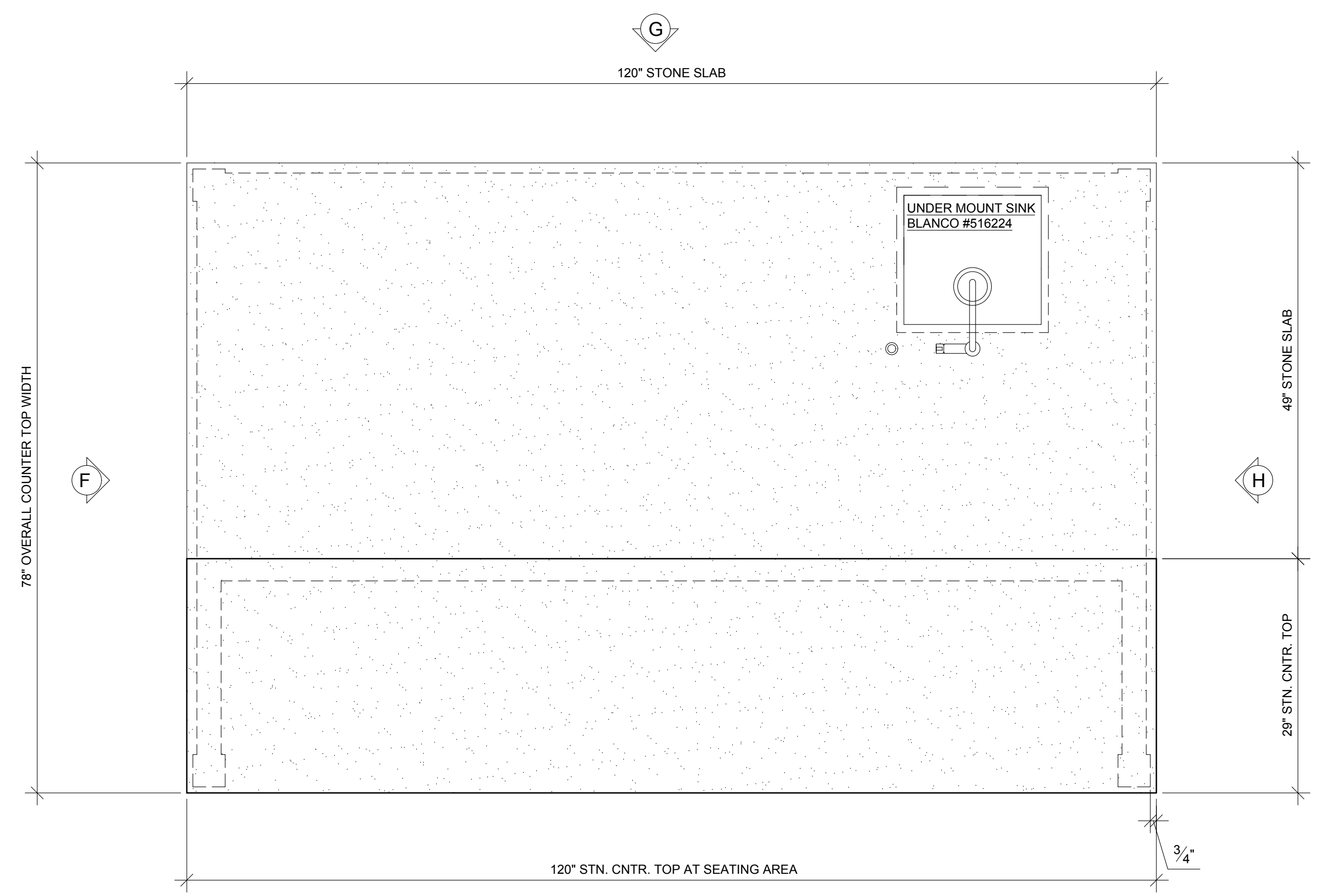
PHONE (707) 765-9885 FAX (707) 765-8563
DESIGNINWOODINC.COM



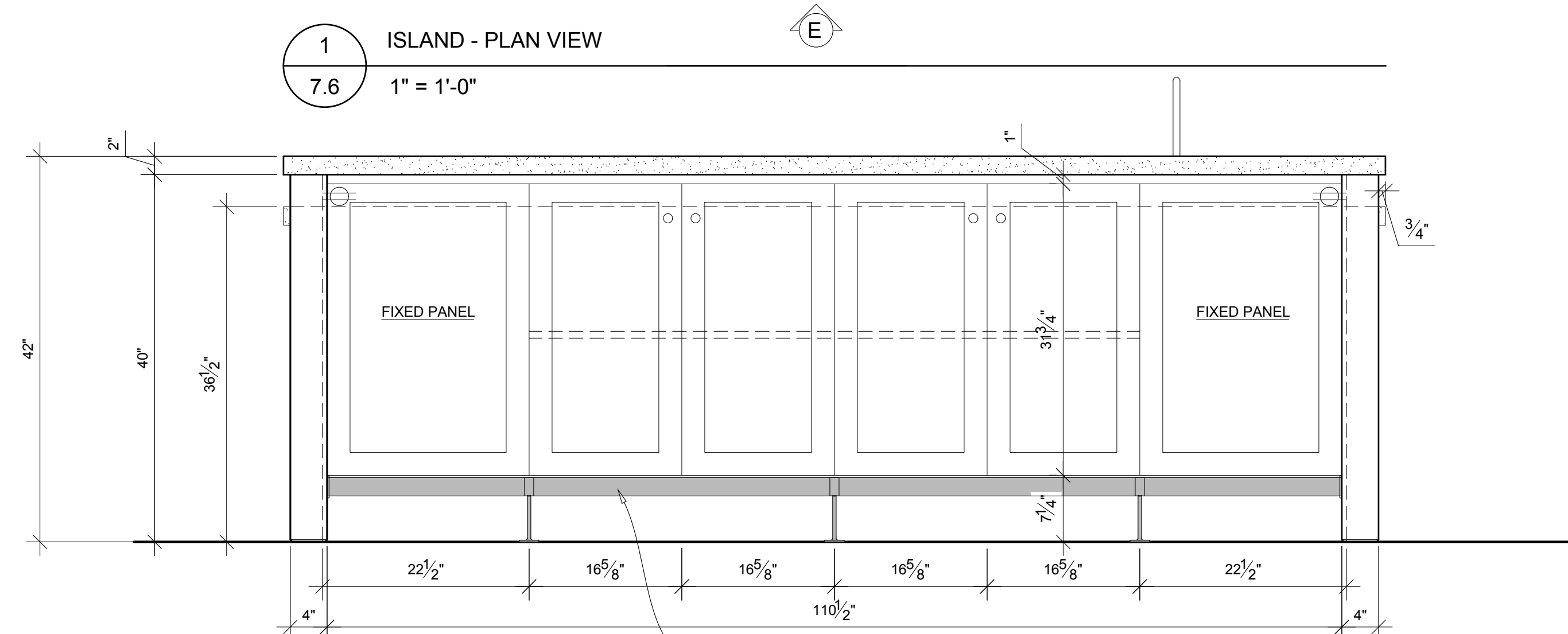
3420 SKILLMAN LANE, PETALUMA, CA 94952
ANDREW JACOBSON
DESIGN IN WOOD, INC

DATE: 07.23.19
SCALE: 1" = 1'-0"
DRAWN BY: PB
JOB: KITCHEN
SHEET:

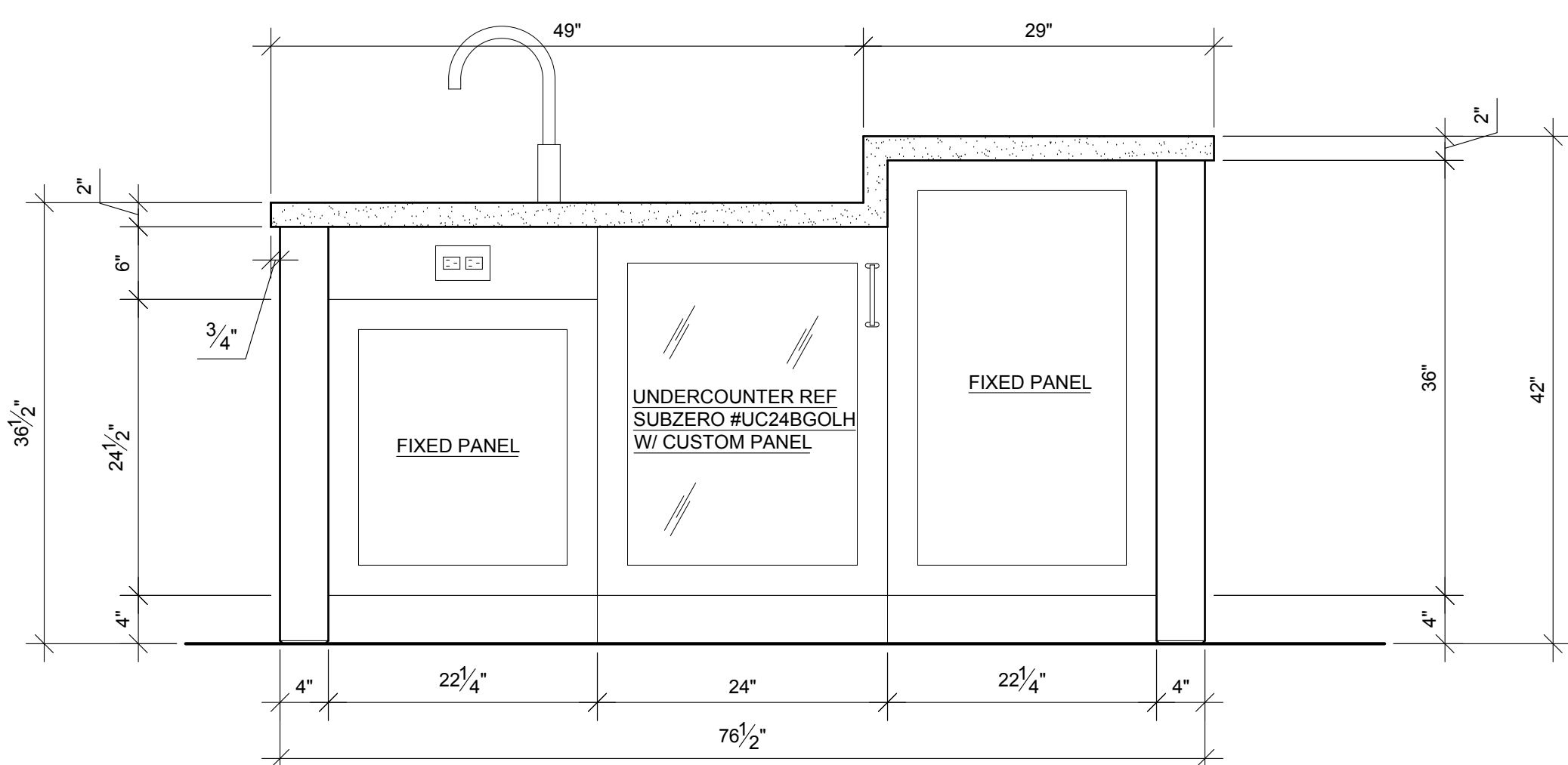
7.6



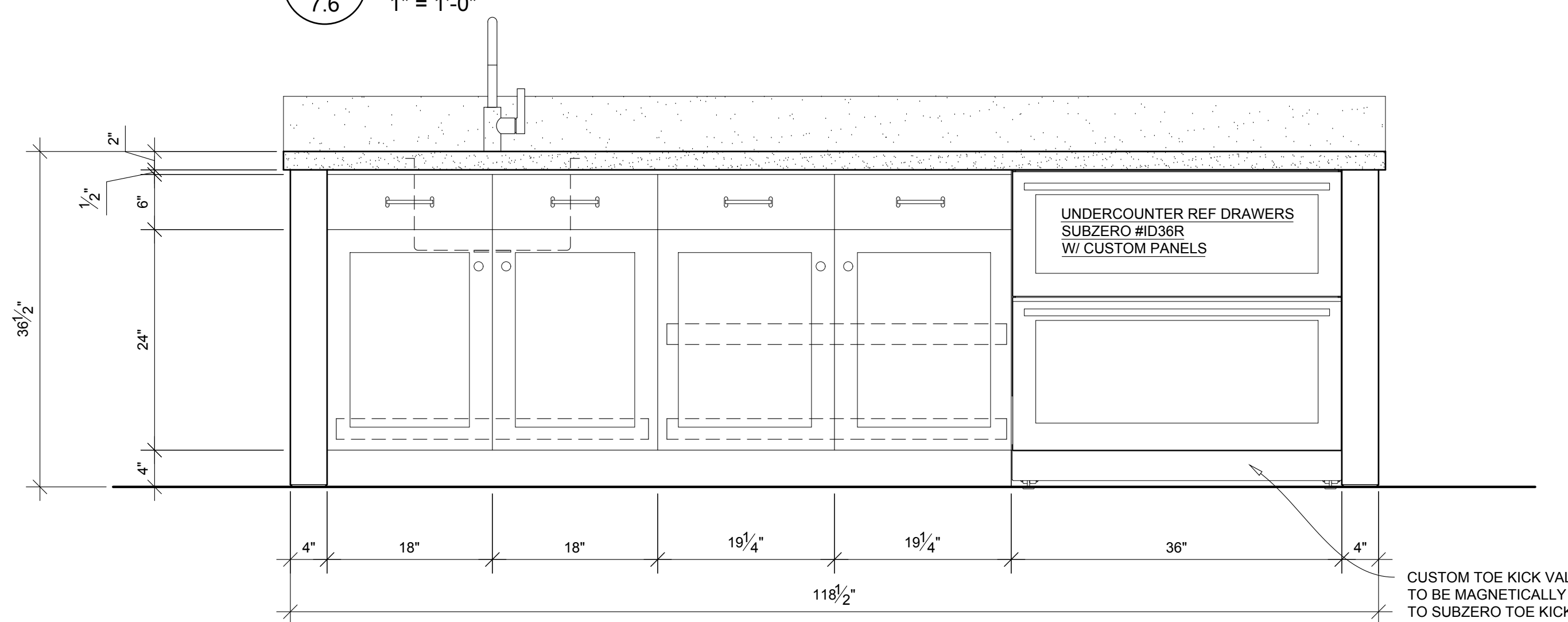
1 ISLAND - PLAN VIEW
7.6 1" = 1'-0"



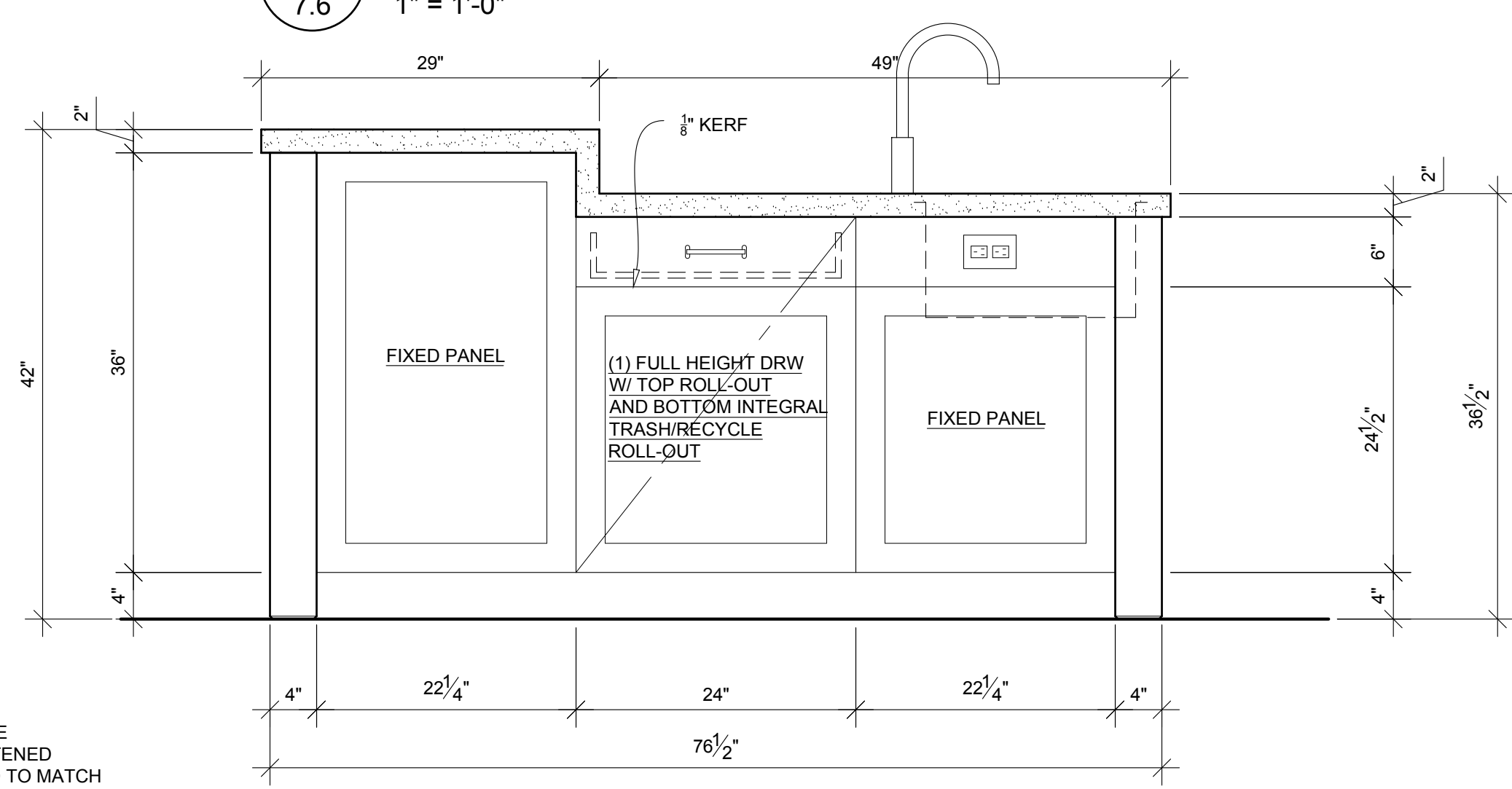
2 ISLAND - ELEVATION "E"
7.6 1" = 1'-0"



4 ISLAND - ELEVATION "F"
7.6 1" = 1'-0"



3 ISLAND - ELEVATION "G"
7.6 1" = 1'-0"



5 ISLAND - ELEVATION "H"
7.6 1" = 1'-0"

REVISIONS	BY
08.13.2019	PB
11.17.2017	PB

PRIVATE RESIDENCE
ZINFANDEL LANE, ST HELENA, CA 94574

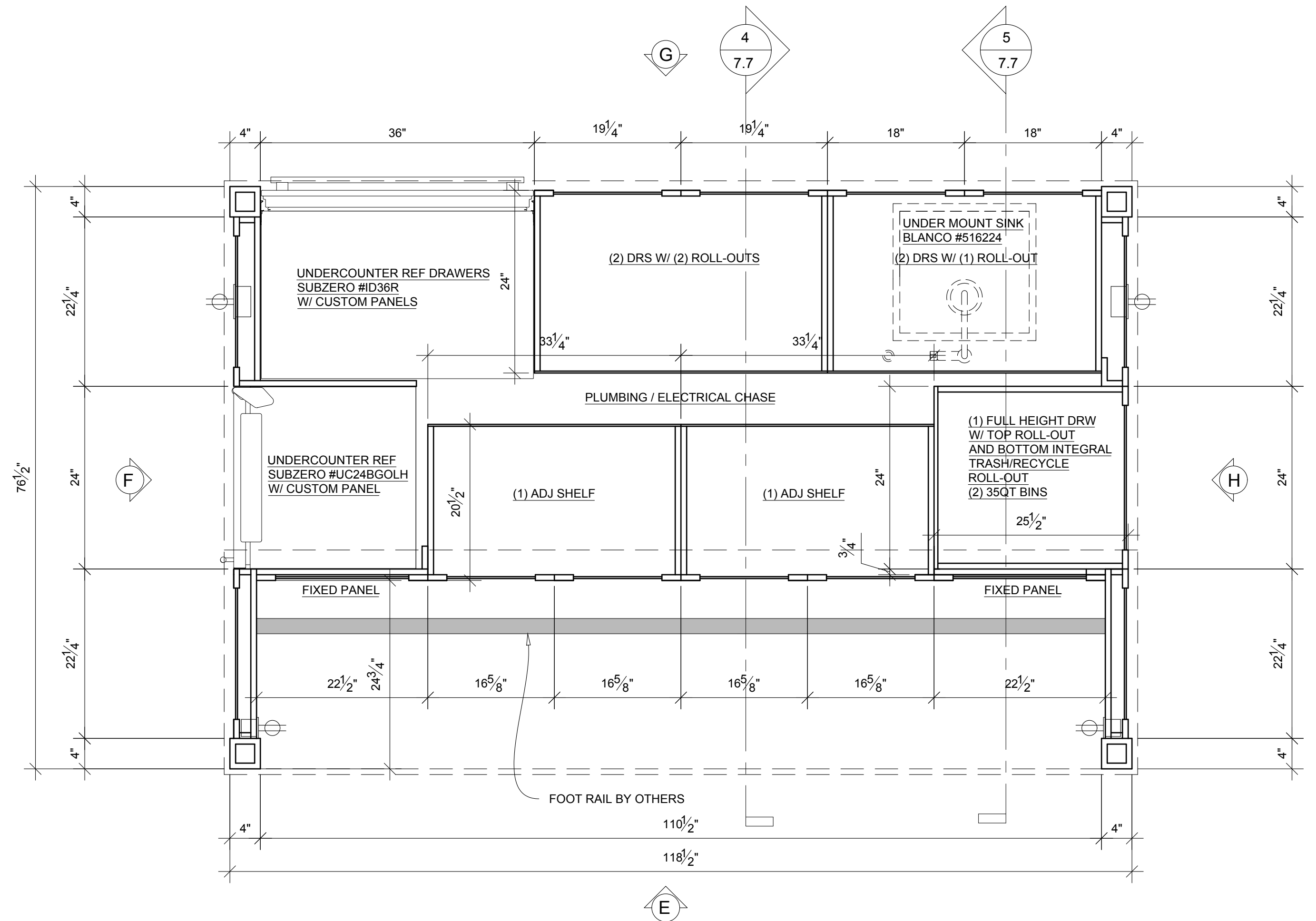
PHONE (707) 765-9885 FAX (707) 765-8563
DESIGNINWOODINC.COM

ANDREW JACOBSON
DESIGN IN WOOD, INC

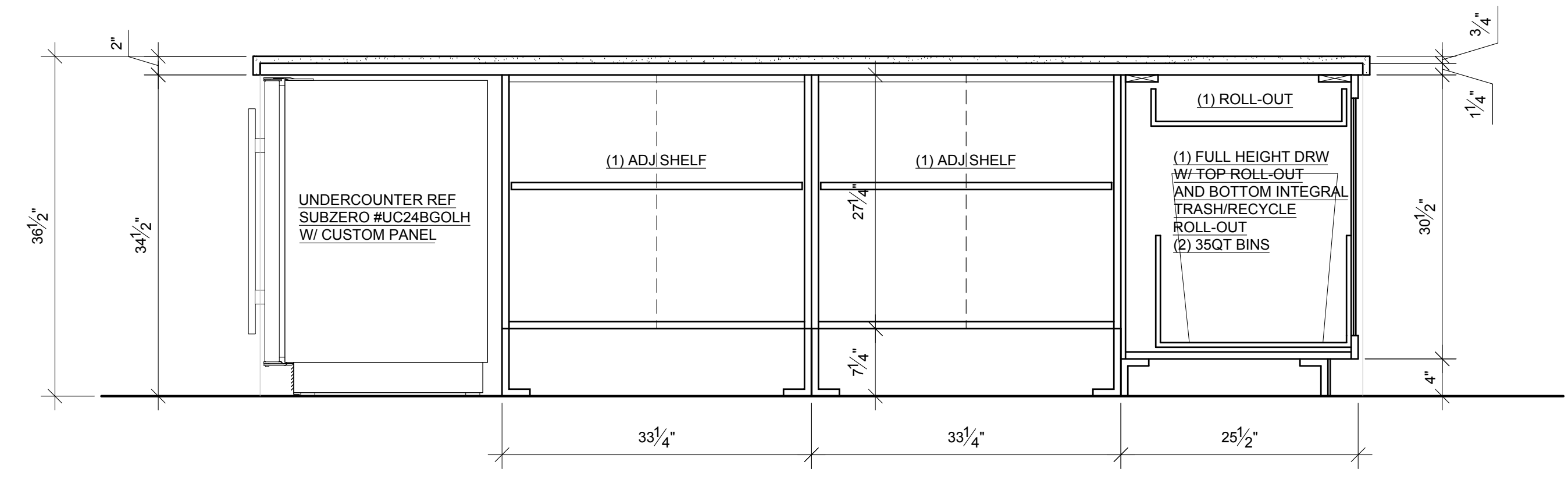
3420 SKILLMAN LANE, PETALUMA, CA 94952

DATE: 07.23.19
SCALE: 1" = 1'-0"
DRAWN BY: PB
JOB: KITCHEN
SHEET:

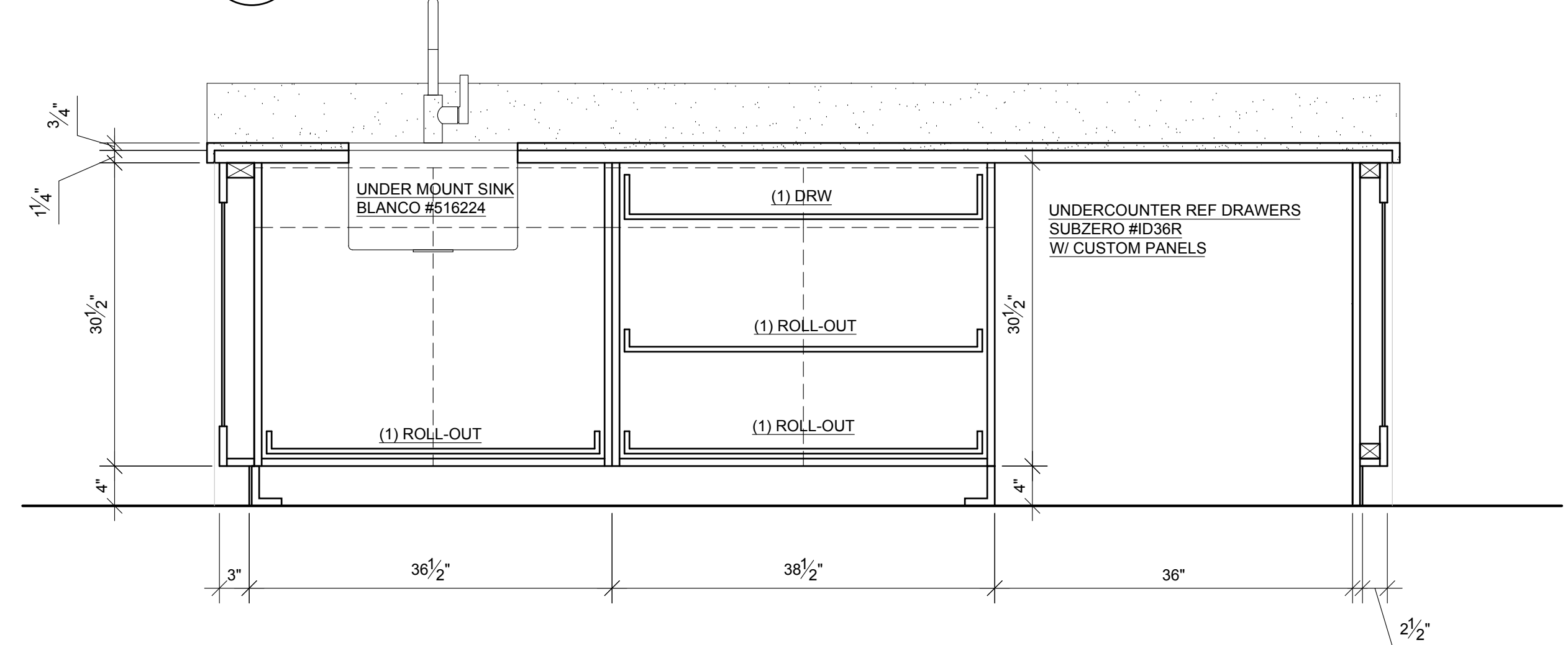
7.7



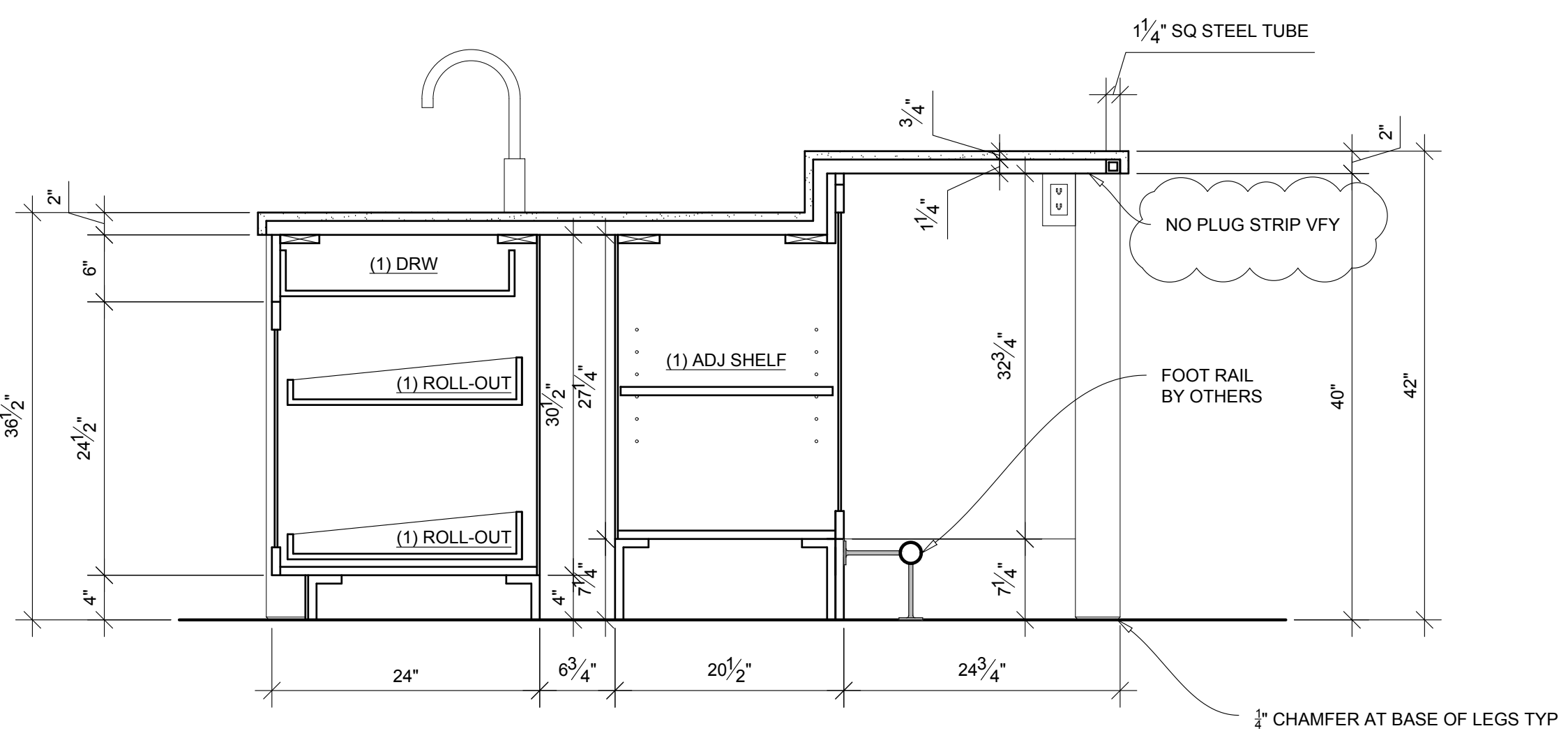
1 ISLAND - PLAN SECTION
1.7.7 1" = 1'-0"



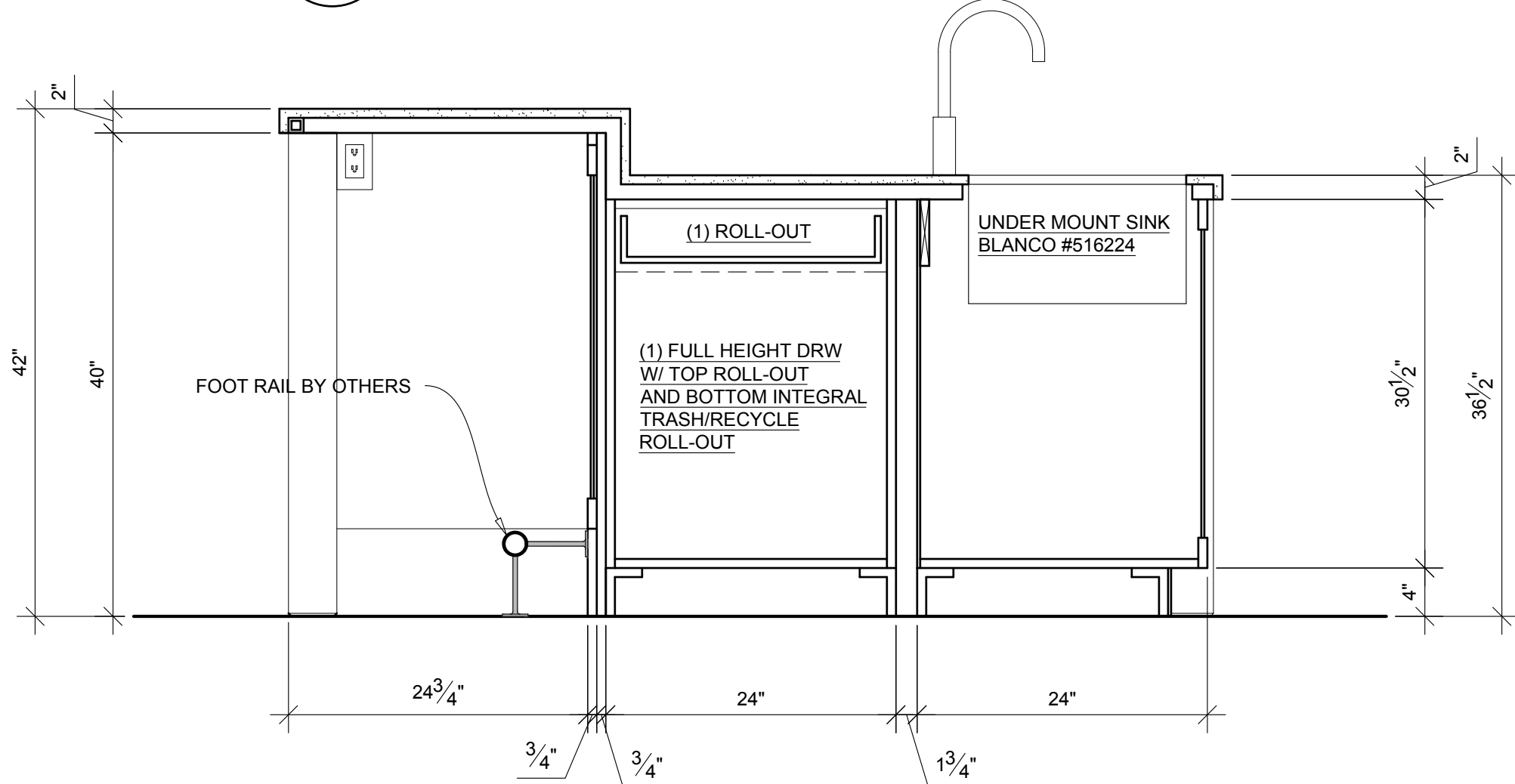
2 ISLAND - FRONT SECTION "E"
2.7.7 1" = 1'-0"



3 ISLAND - FRONT SECTION "G"
3.7.7 1" = 1'-0"



4 ISLAND - SIDE SECTION "F"
4.7.7 1" = 1'-0"



5 ISLAND - SIDE SECTION "H"
5.7.7 1" = 1'-0"

